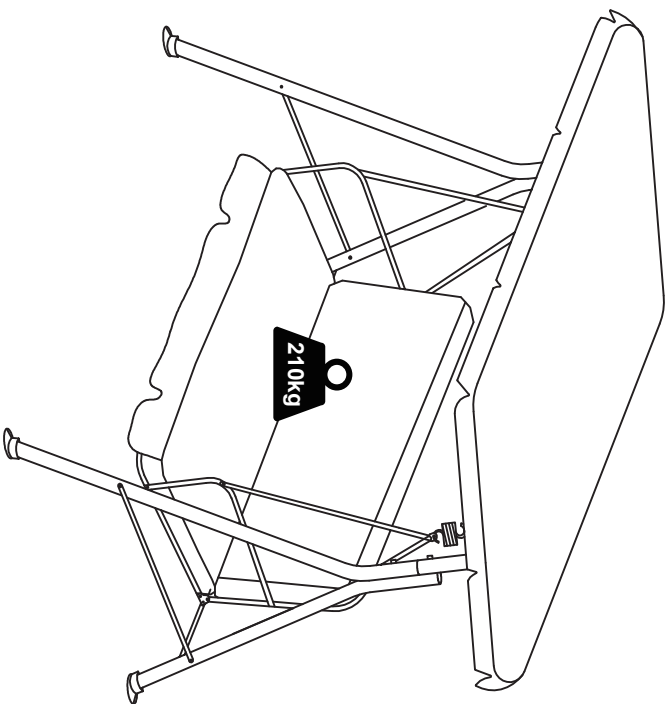
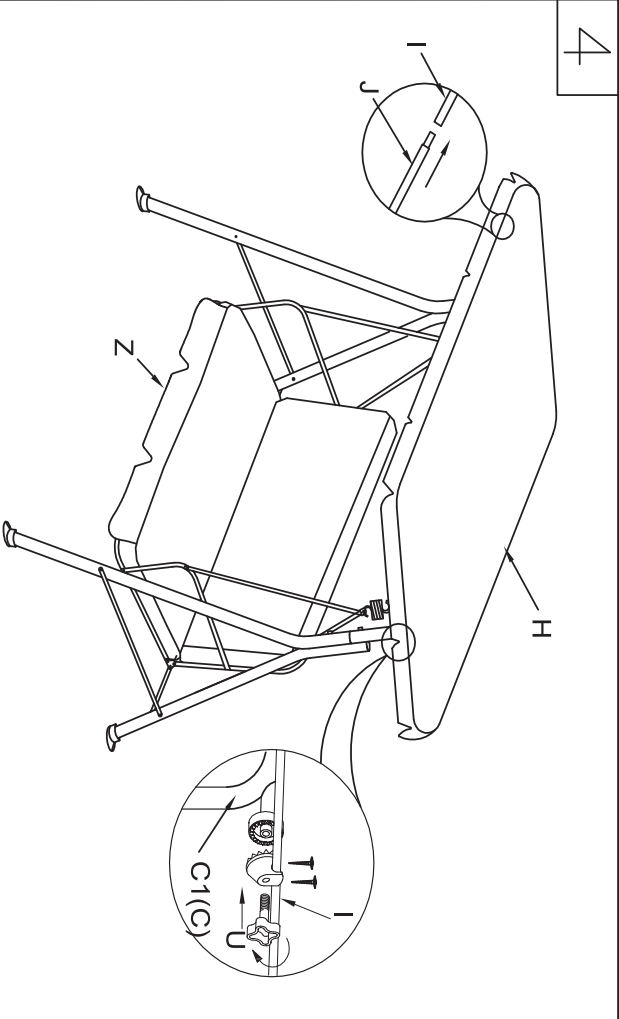
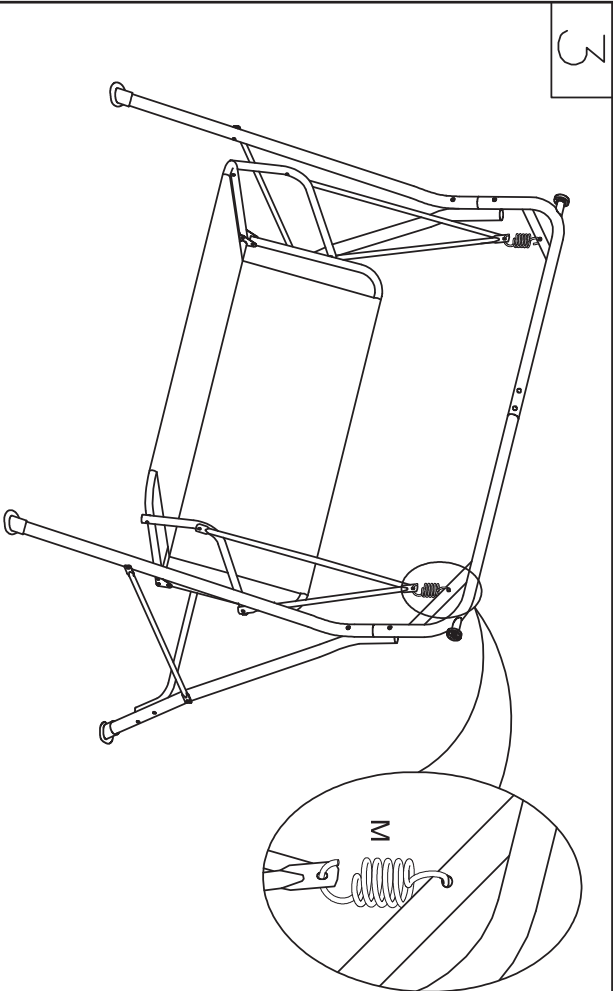
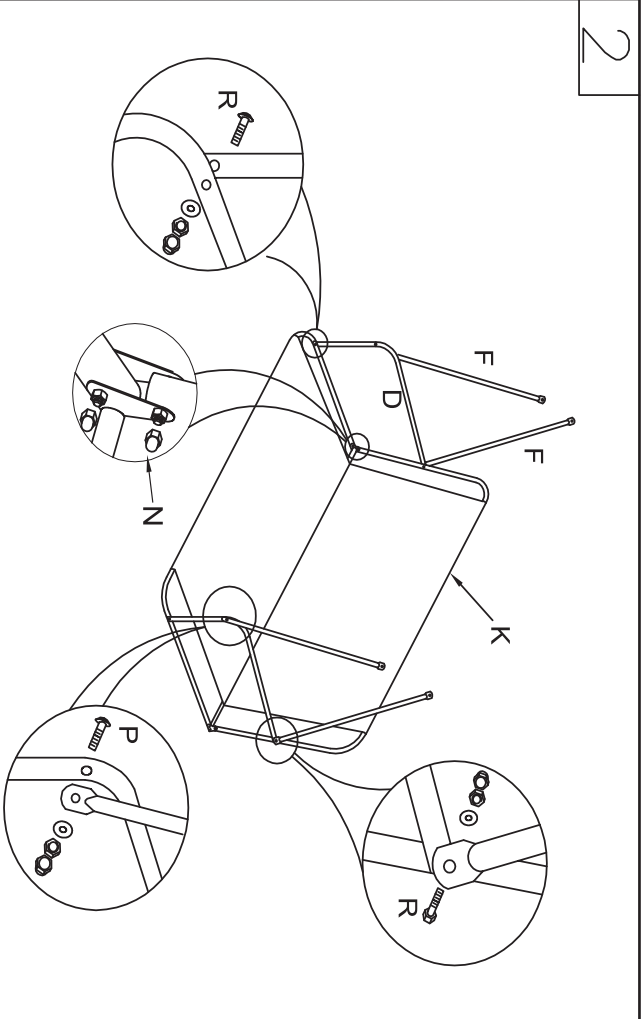
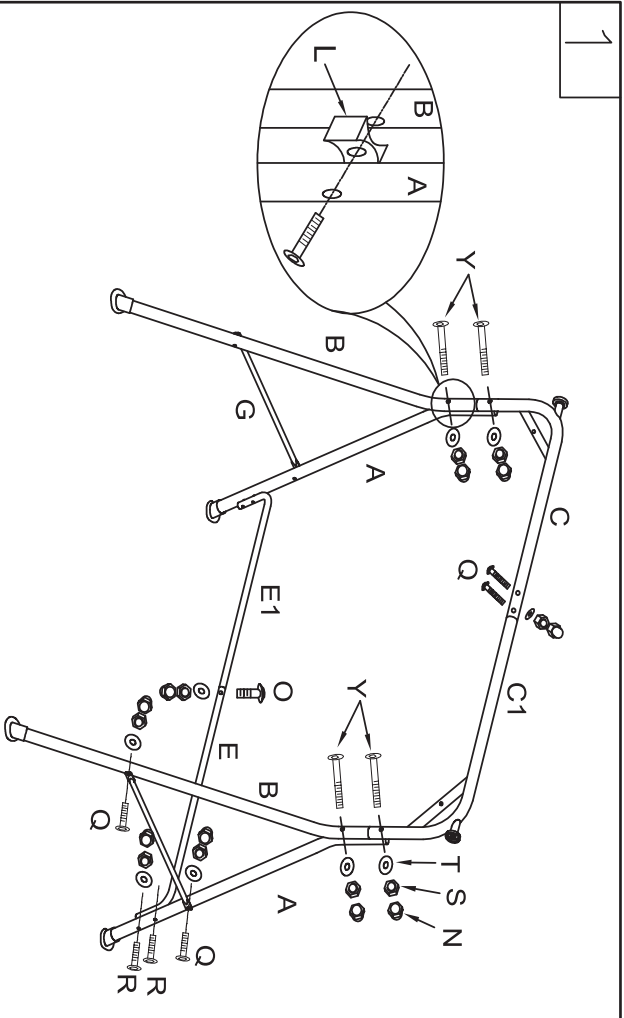


YF-SW009-S



<p>Z x 1</p>	<p>Y x 4</p>	<p>S x 21</p>	<p>T x 21</p>	<p>N x 25</p>	<p>O x 1</p>	<p>P x 2</p>	<p>Q x 6</p>	<p>R x 8</p>	<p>K x 1</p>	<p>I x 2</p>	<p>I1 x 4</p>	<p>I2 x 2</p>	<p>L x 4</p>	<p>M x 2</p>	<p>W x 1</p>	<p>C x 1</p>	<p>C1 x 1</p>
<p>210kg</p>					<p>A x 2</p>	<p>B x 2</p>	<p>D x 2</p>	<p>G x 2</p>	<p>H x 1</p>	<p>J x 2</p>	<p>E x 1</p>	<p>E1 x 1</p>	<p>F x 4</p>				

MAXIMUM LOAD: 210KGS



MAXIMUM LOAD: 210KGS