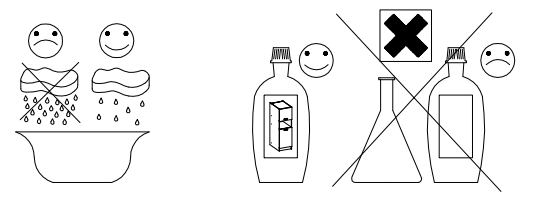
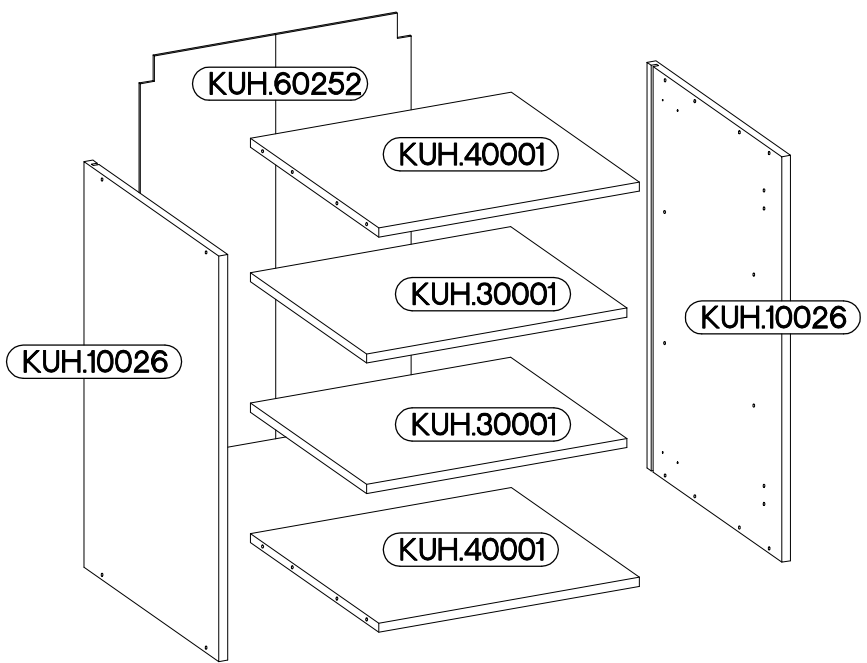
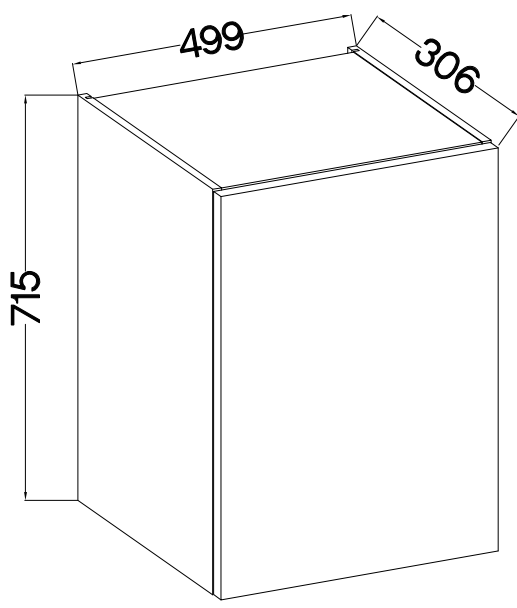
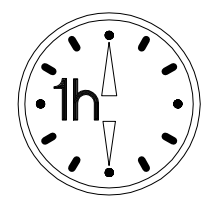


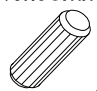




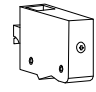
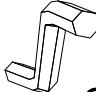


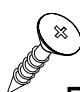
Ø10mm
50 G-72 1F

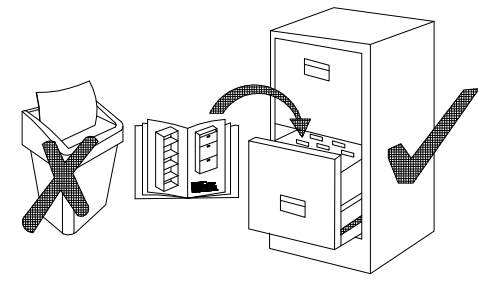


max.
5kg

KUH.30001
KUH.40001

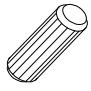
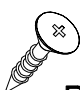
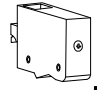


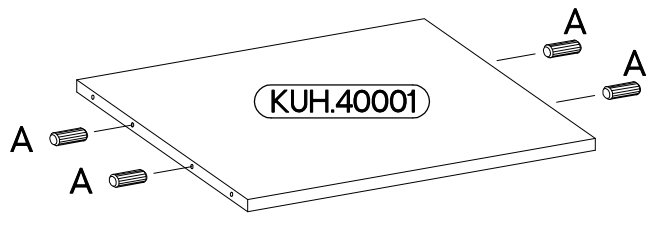
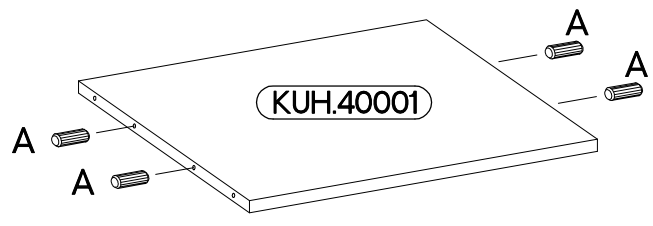
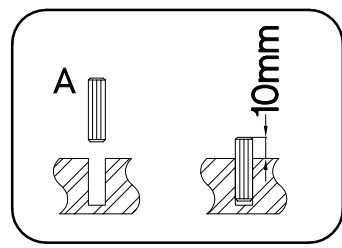
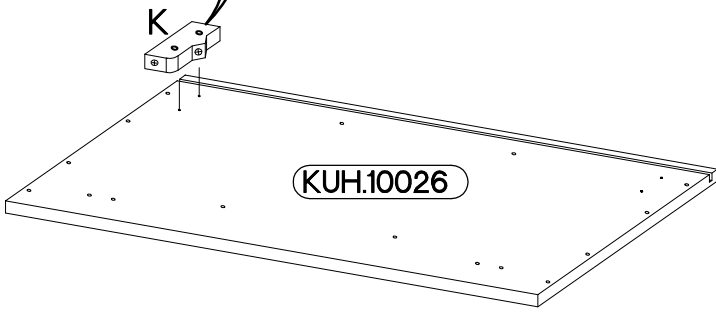
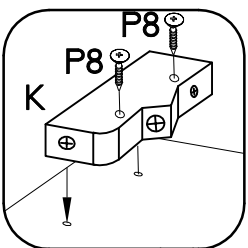
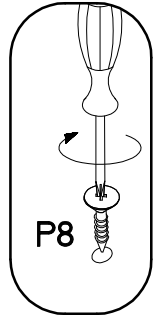
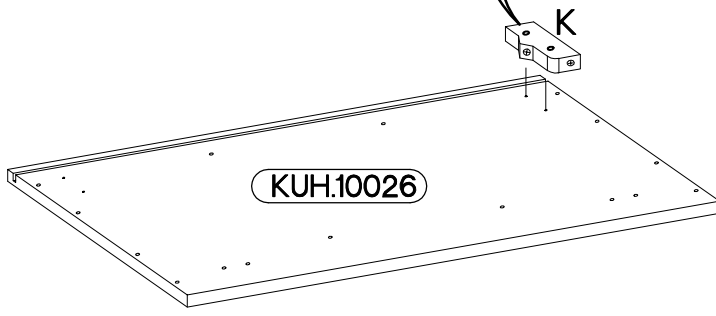
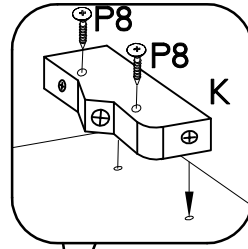
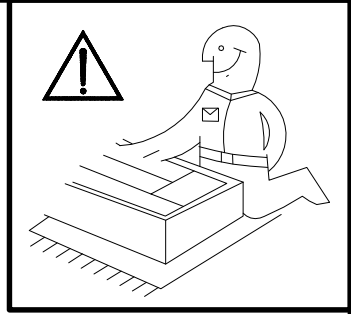
 8x30mm A 8	 6,4 x 50mm B 8	 E1 8	 ±35/0mm HG 2		
 ±5/19mm J 8	 K 2	 O 1	 ±3.5x13mm P5 4	 ±3.0x20mm P7 8-10	 ±4.0x30mm P8 4



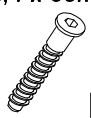
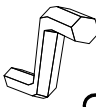

ISM-KUH-01137

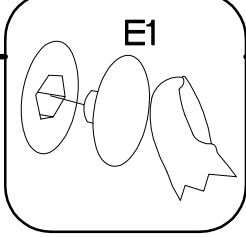
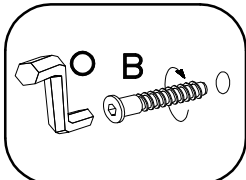
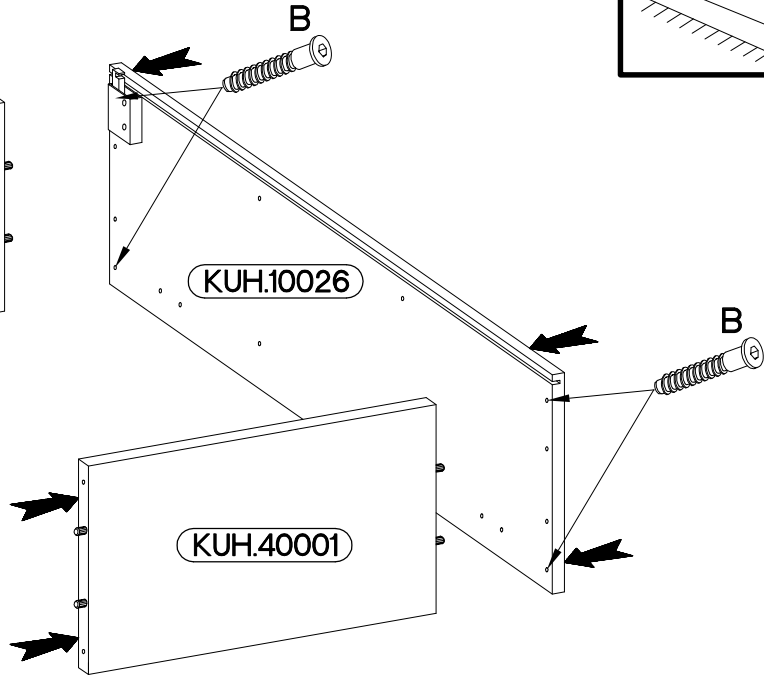
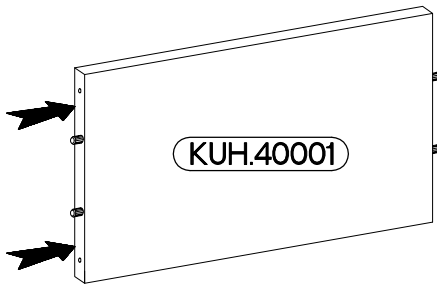
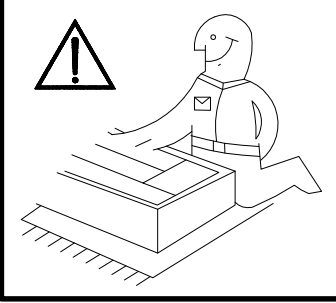
1

$\pm 8 \times 30 \text{mm}$  A 8	$\pm 4.0 \times 30 \text{mm}$  P8 4	 K 2
---	--	--

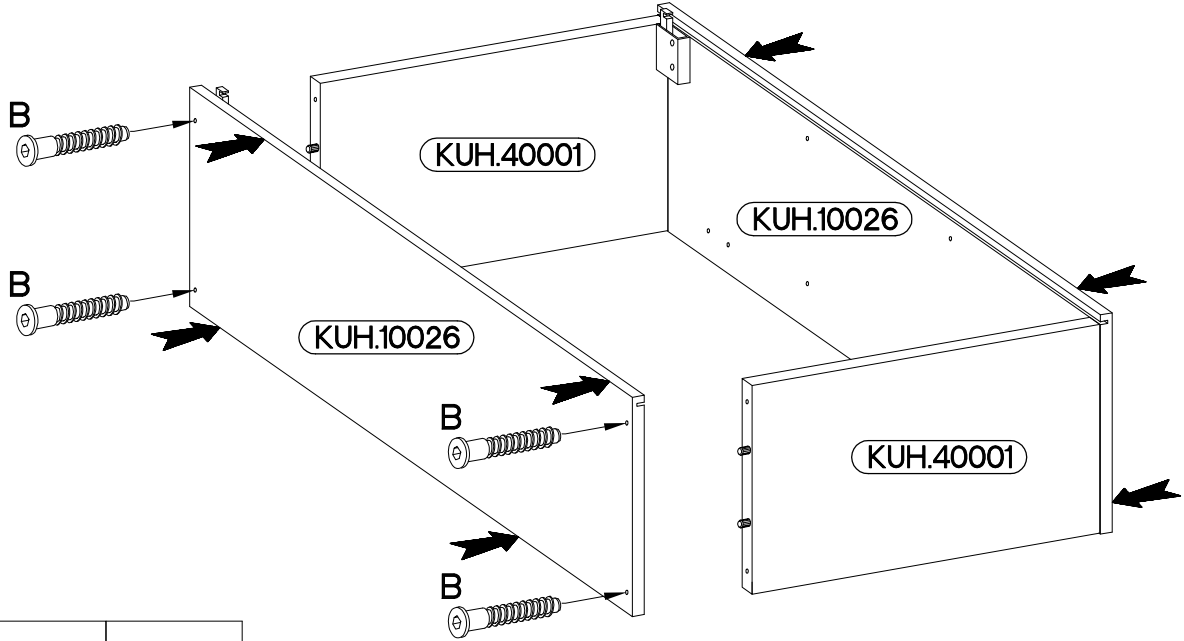



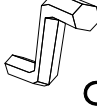

2

6,4 x 50mm		
		
B	O	E1
4	1	4

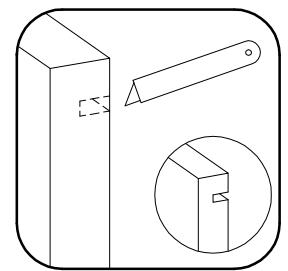
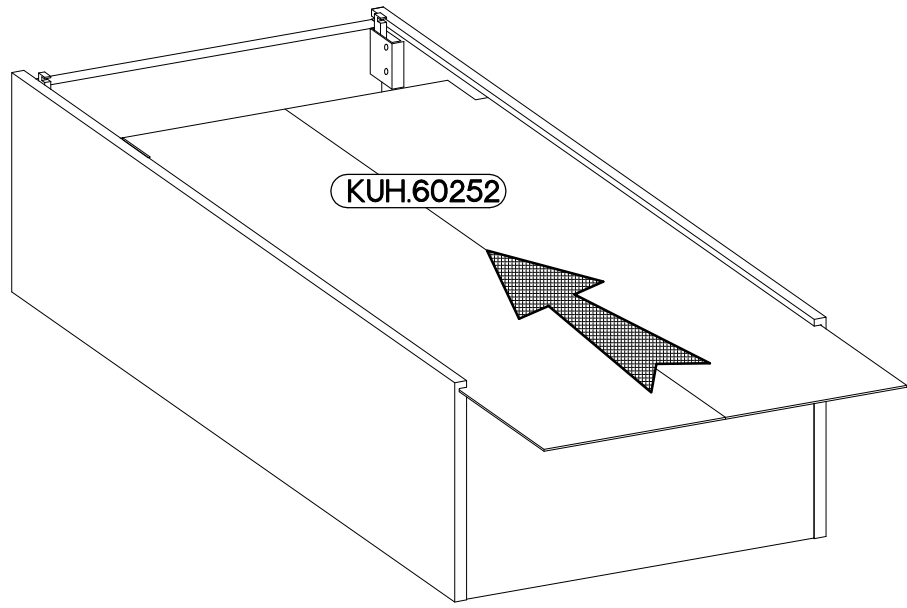
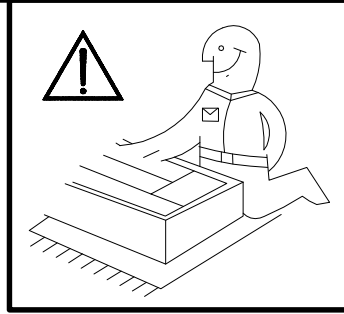


3

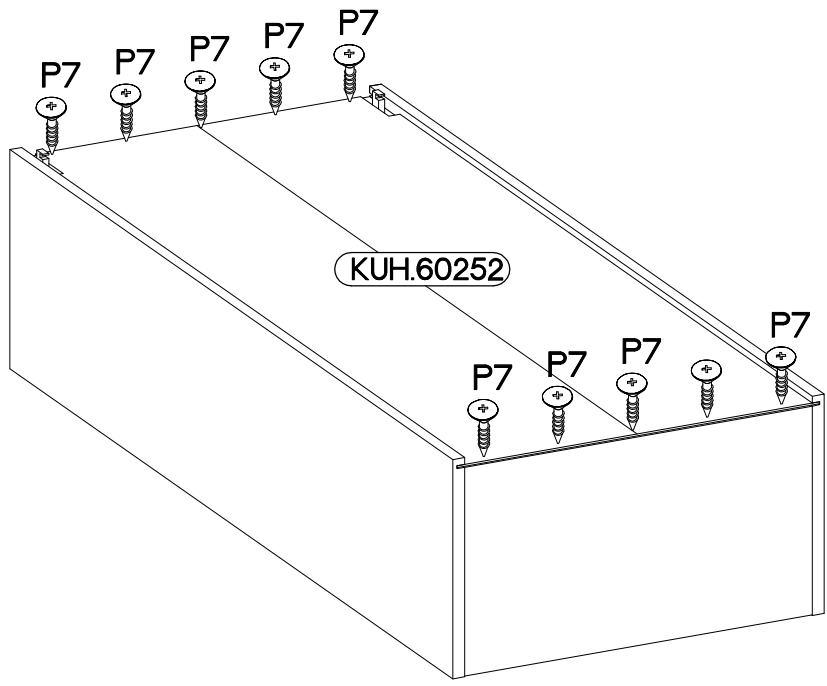
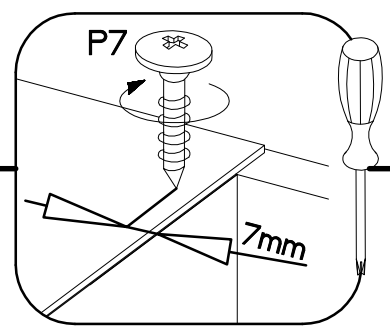
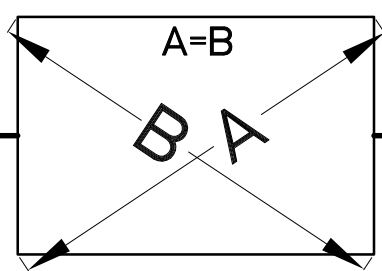
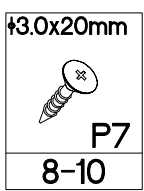


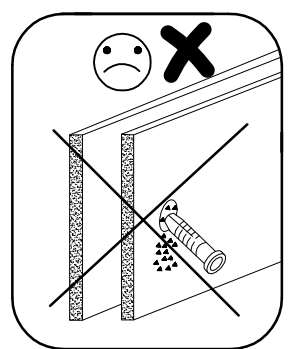
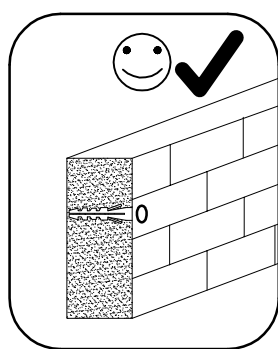
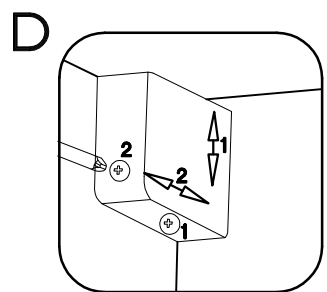
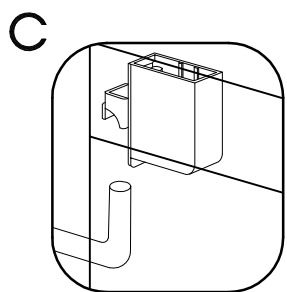
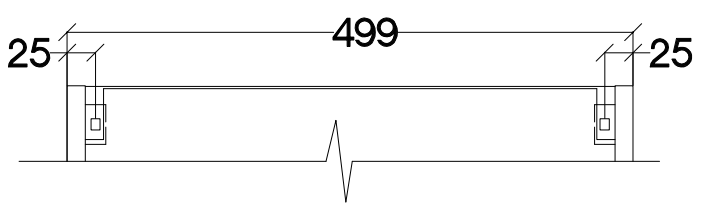
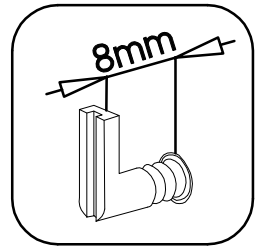
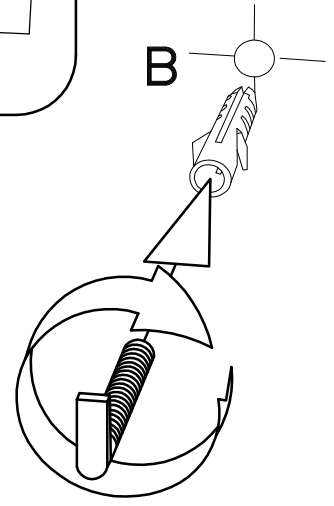
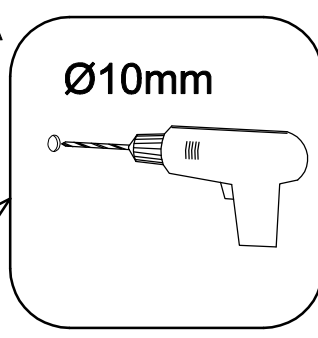
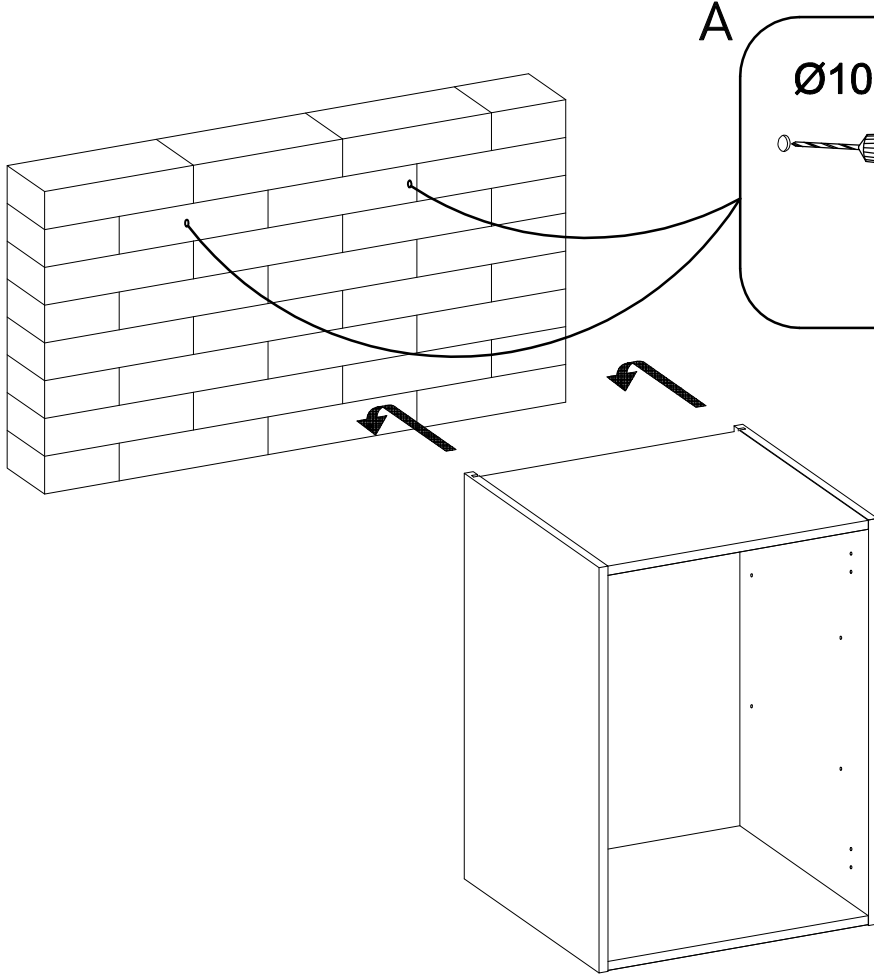
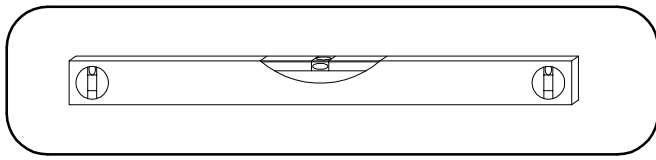
6,4 x 50mm		
		
B	O	E1
4	1	4

4

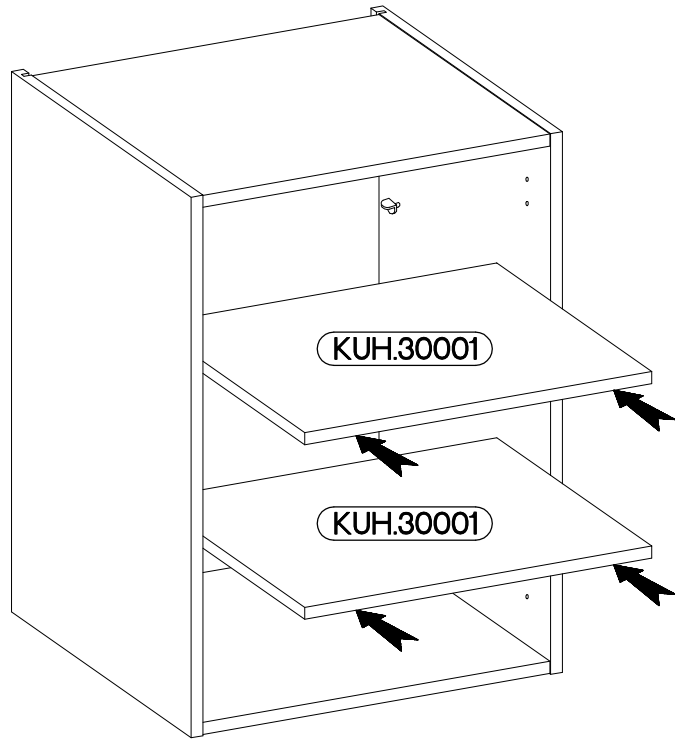
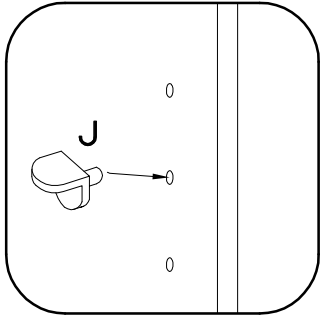
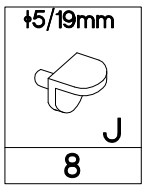


5



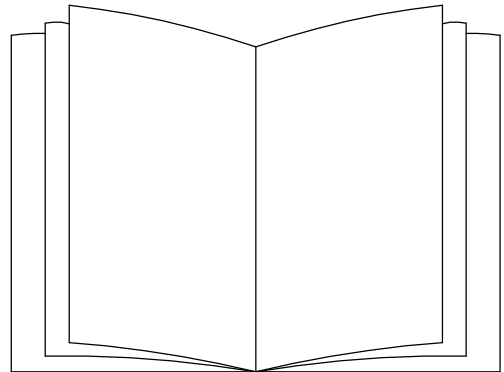
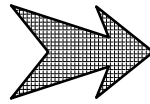
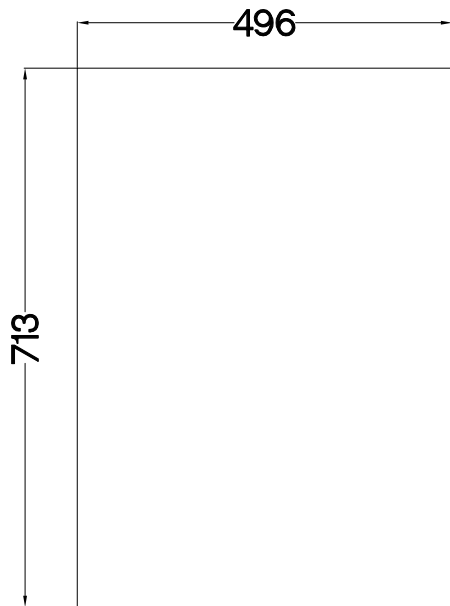


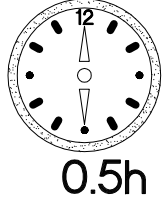
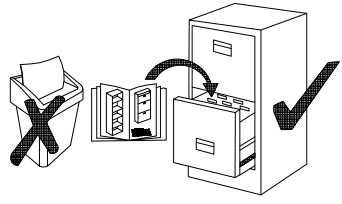
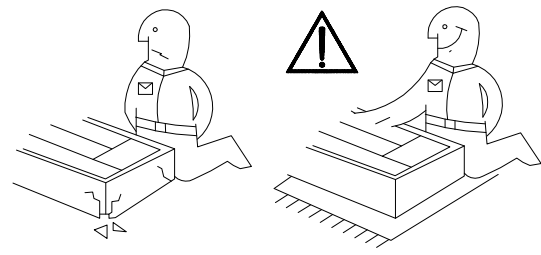
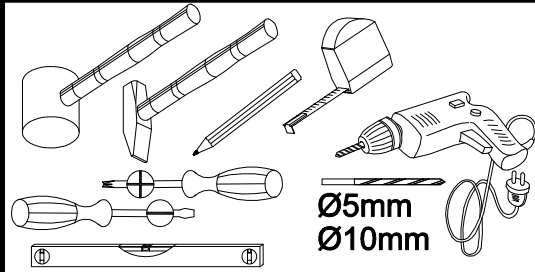
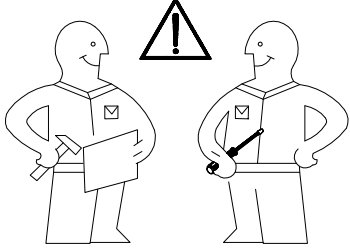
7



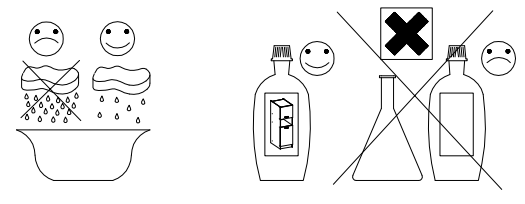
8

FRONT

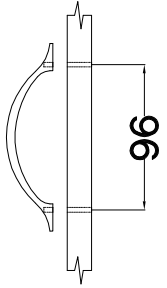
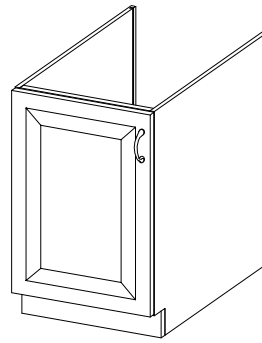
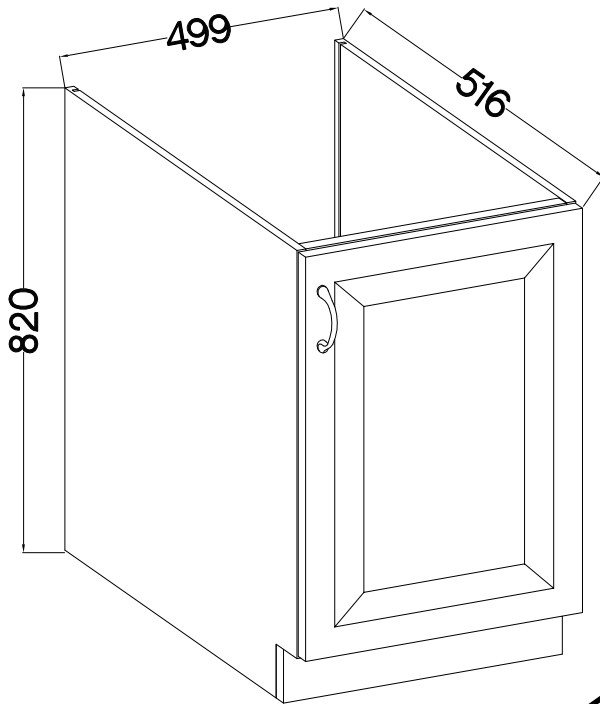




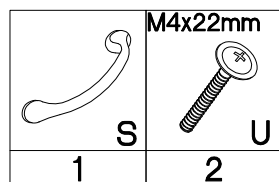
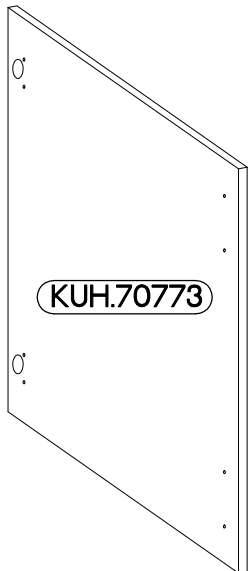
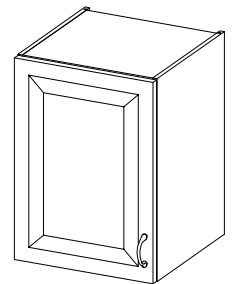
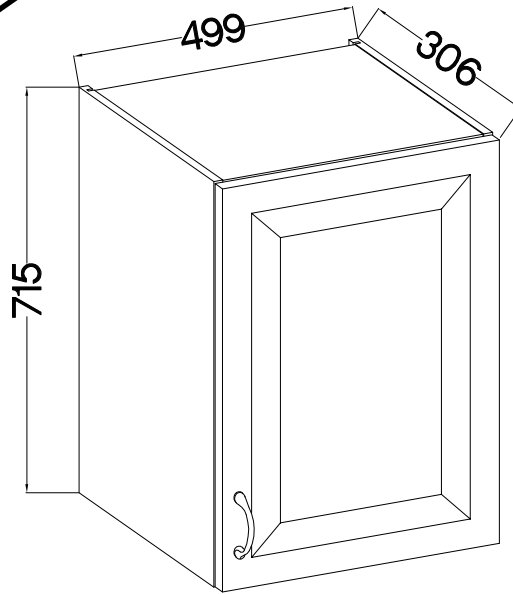
FRONT



50 ZL 1F BB



50 G-72 1F



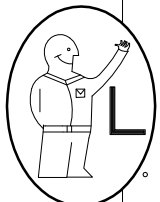
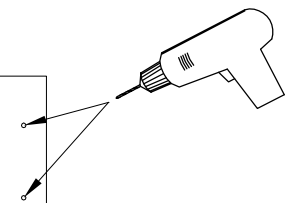
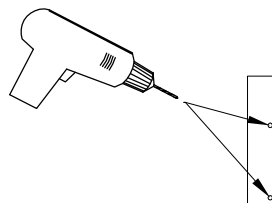
ISM-KUH-01191

1

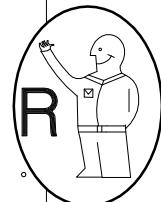
50 ZL 1F BB

LEFT

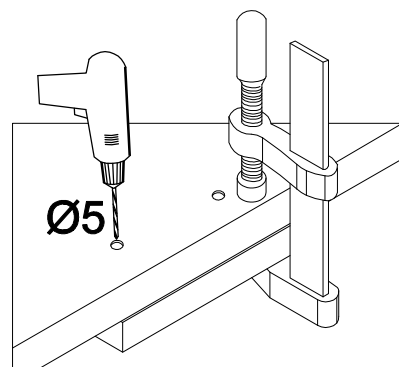
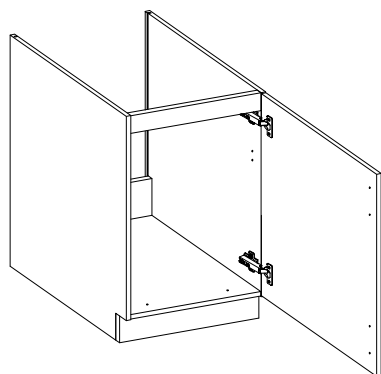
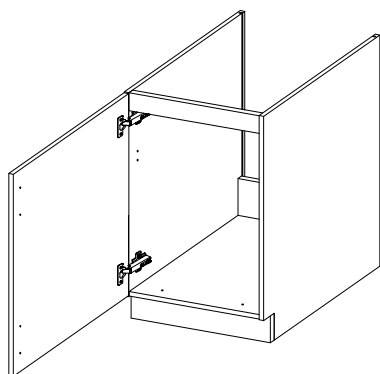
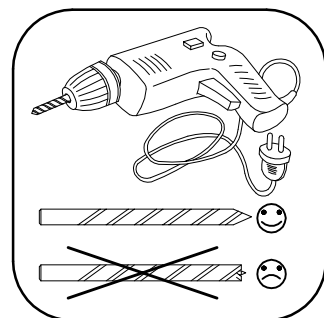
RIGHT



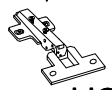

KUH.70773

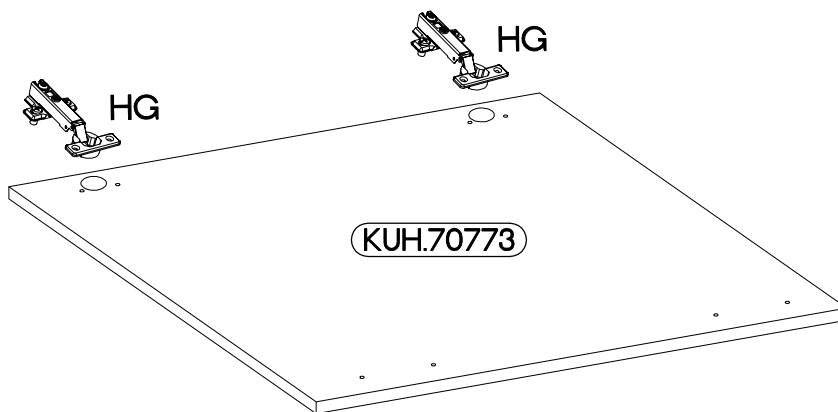
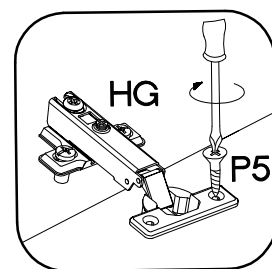


KUH.70773



2

±35/0mm	±3.5x13mm
	
HG	P5
2	4



3

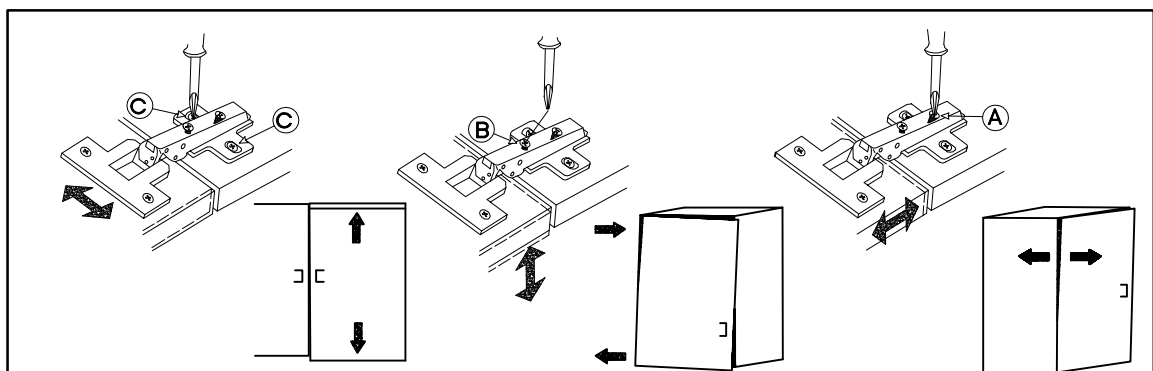
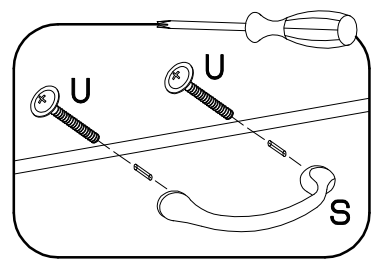
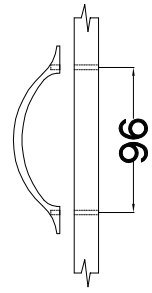
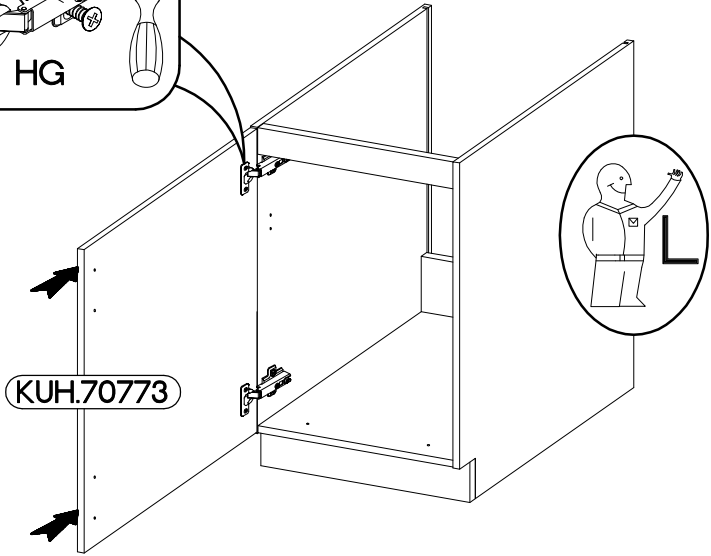
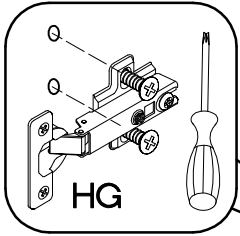
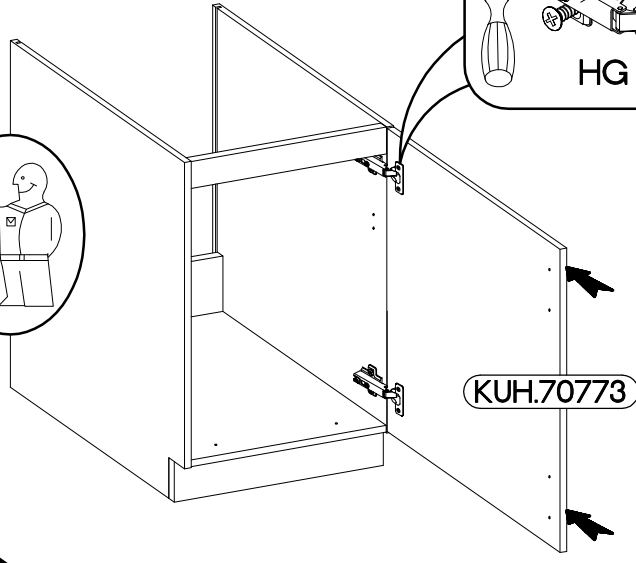
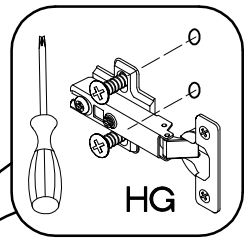
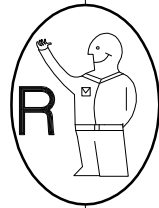
M4x22mm



2



1

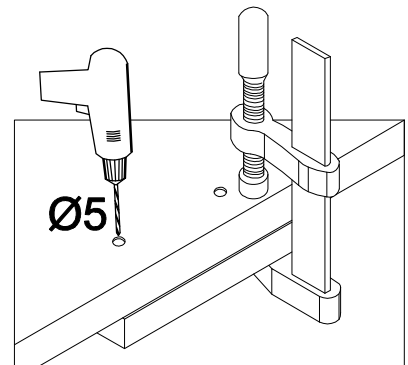
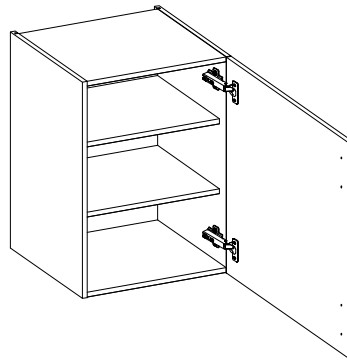
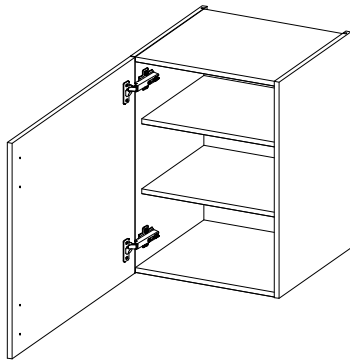
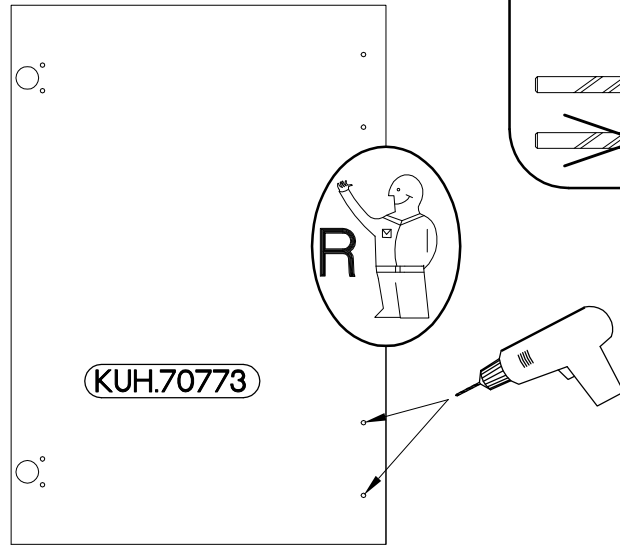
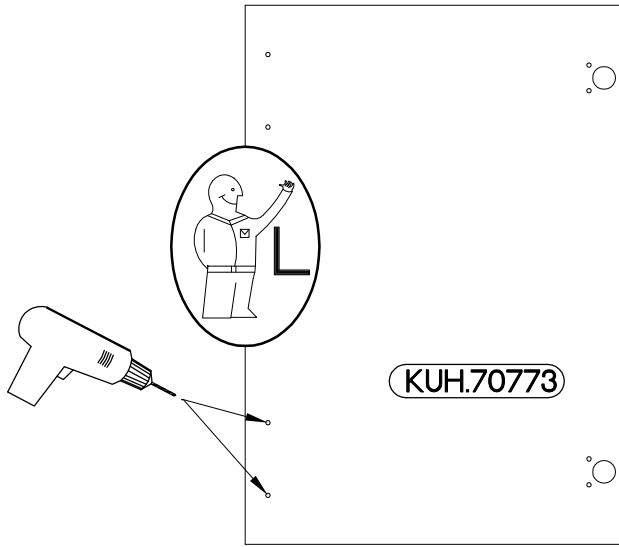
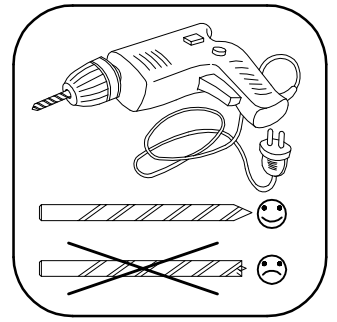


4



50 G-72 1F

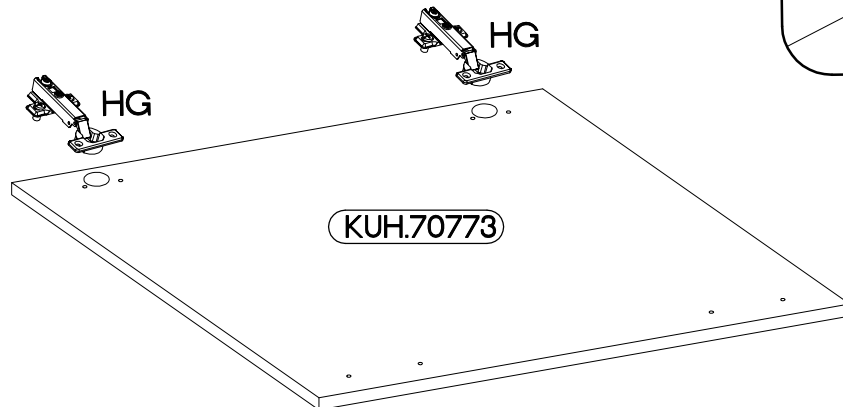
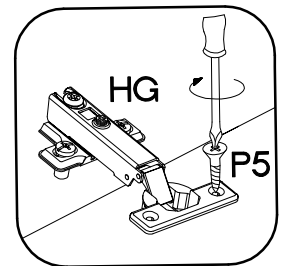
LEFT

RIGHT



5

 HG 2	 P5 4
--	--



6

M4x22mm



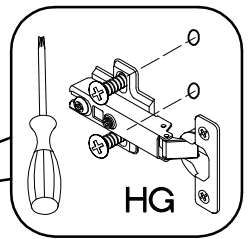
U

2

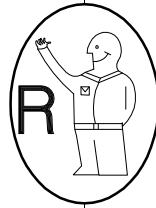


S

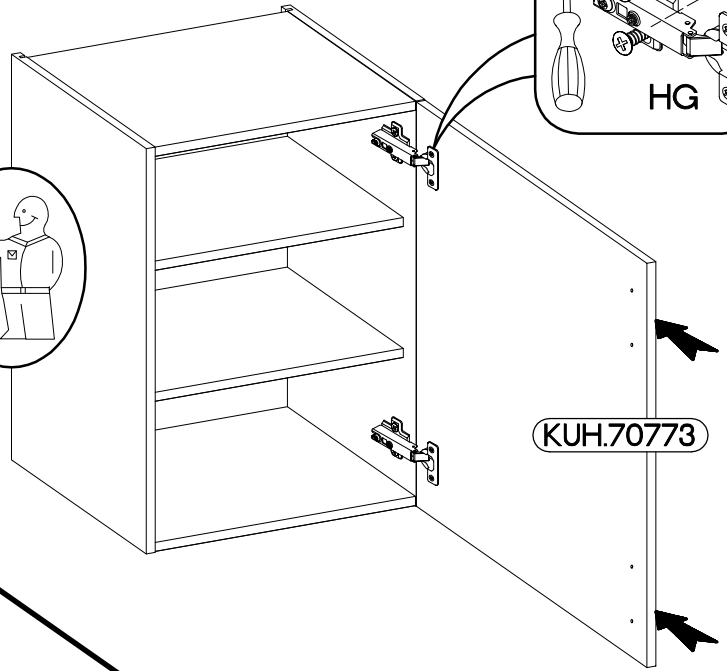
1



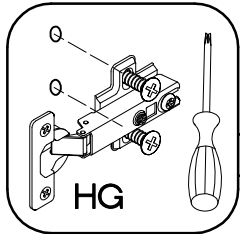
HG



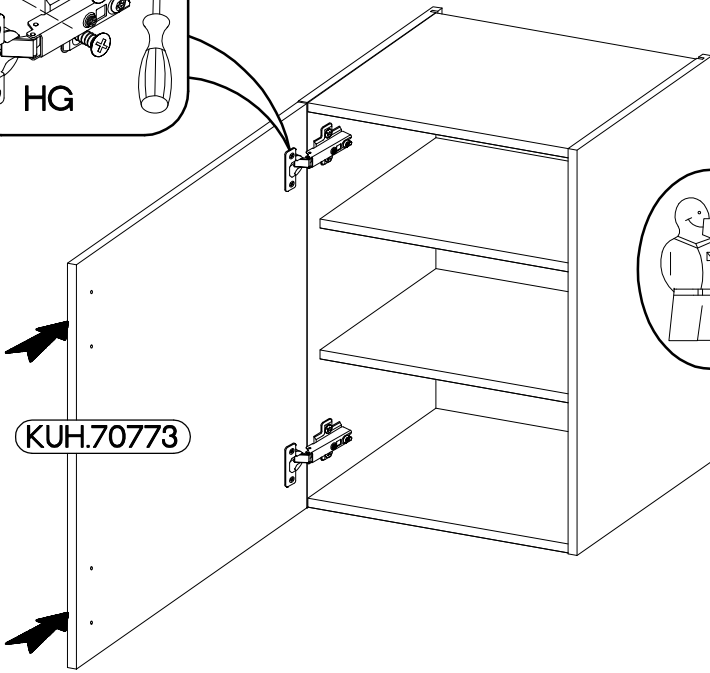
R



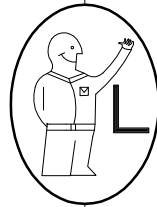
KUH.70773



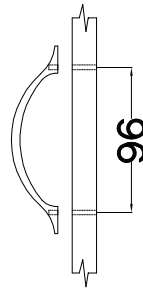
HG



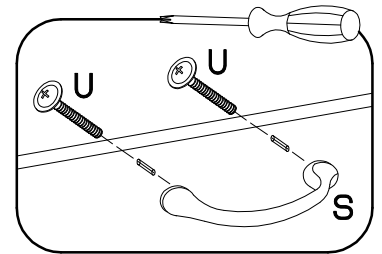
KUH.70773



L



96



U

S

