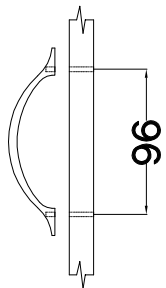
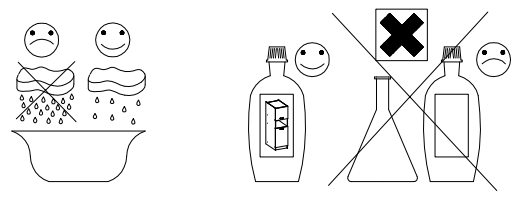


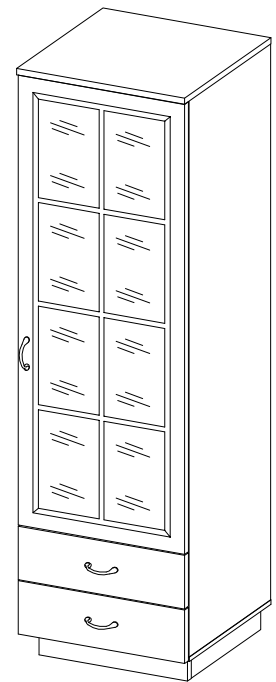
TYP 131



2100

602

372

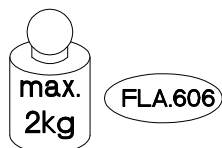
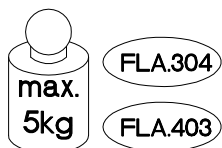
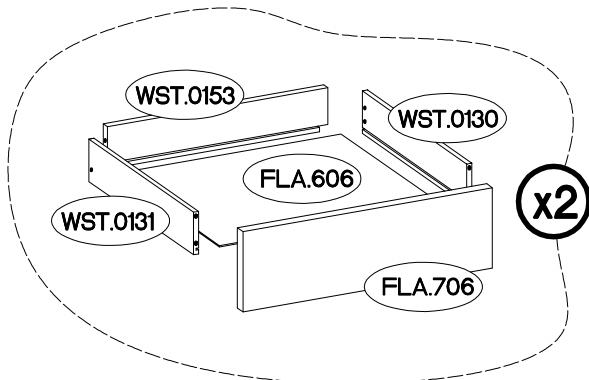
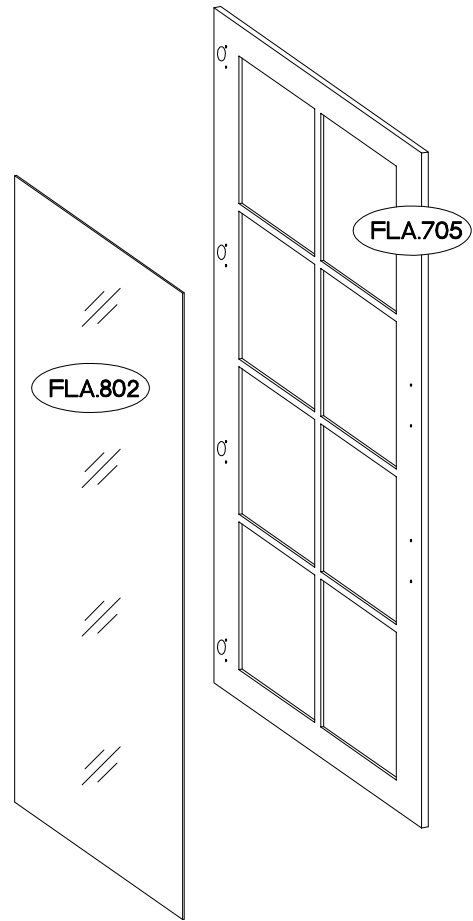
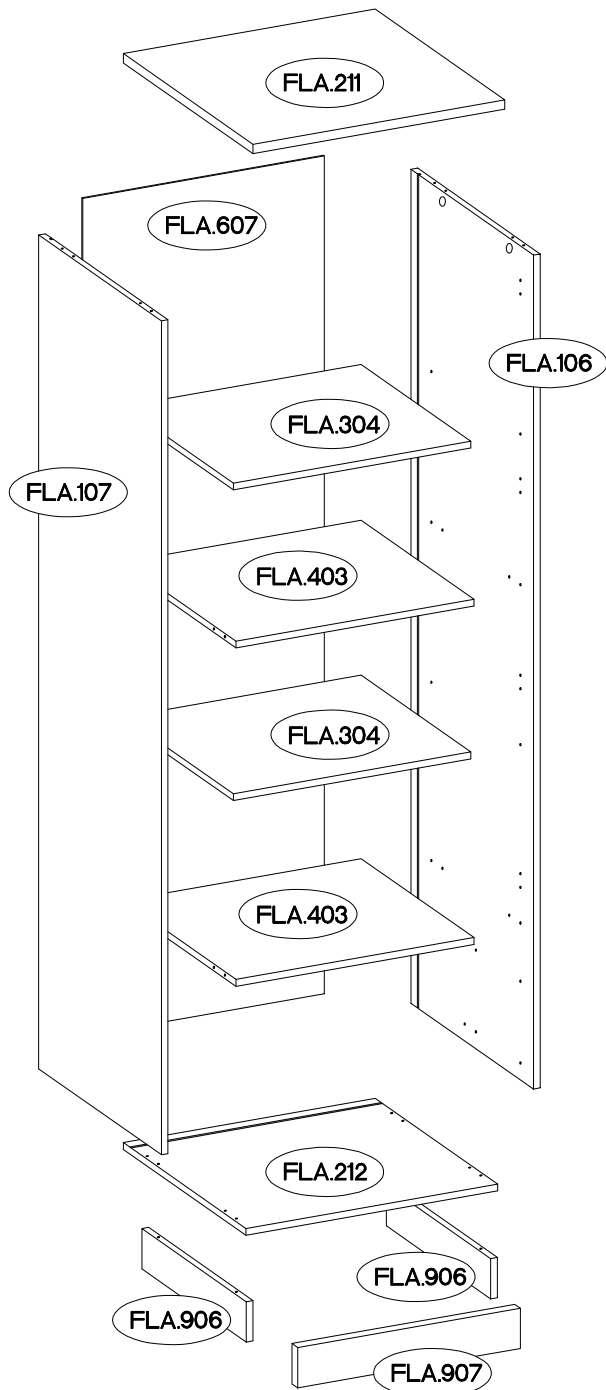


 +8x30mm A	 6,4 x 50mm B	 +6x42mm B2	
28	4	4	
 E	 E1	 6.5x48x16 F22	
12	4	4	
 +5/16mm J3	 J8	 L	 L19
8	12	14	1
 +3.5x13mm P5	 +3.0x20mm P7	 +3.0x16mm P11	 +5.0x60mm P12
10	14-15	12	1

 +15/12mm C	 +12/10mm C5	 L=20mm D2		
12	4	16		
 +35/0mm HG	 L=300mm L	 R		
4	2	14		
 +6.3x13mm M2	 O	 O1	 +10x50mm O7	 +4.0x16mm P1
12	1	1	1	6

 S	 T3	 M4x22mm U
3	3	6


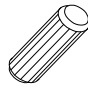

ISM-FLA-09

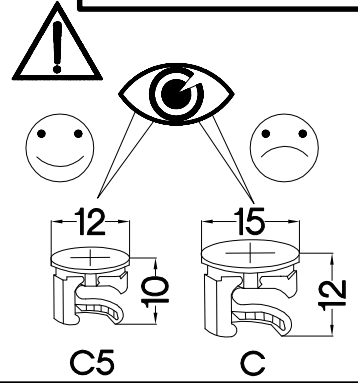
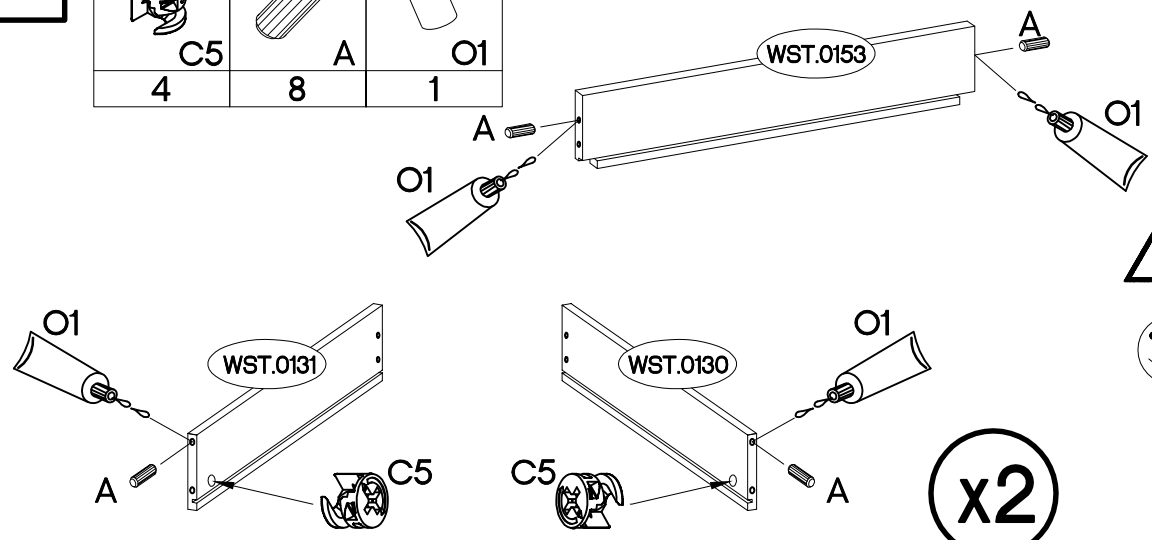
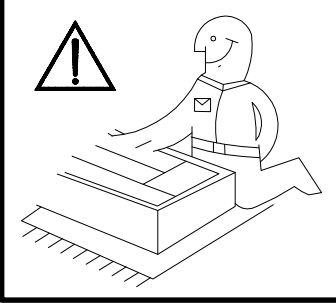


Colli	Ersatzteil Nummer	Dimension
Colli 1/2	FLA.211	602x372x22
	FLA.212	602x352x16
	FLA.304 x2	567x315x16
	FLA.403 x2	568x324x16
	FLA.606 x2	296x537x2.5
	FLA.906 x2	300x95x16
	FLA.907	532x95x16
	WST.0130 x2	300x100x12
	WST.0131 x2	300x100x12
	WST.0153 x2	527x100x12

Colli	Ersatzteil Nummer	Dimension
Colli 2/2	FLA.106	1962x352x16
	FLA.107	1962x352x16
	FLA.607	1971x577x2.5
	FLA.705	1588x596x16
	FLA.706 x2	189x596x16
	FLA.802	1474x482x4



1

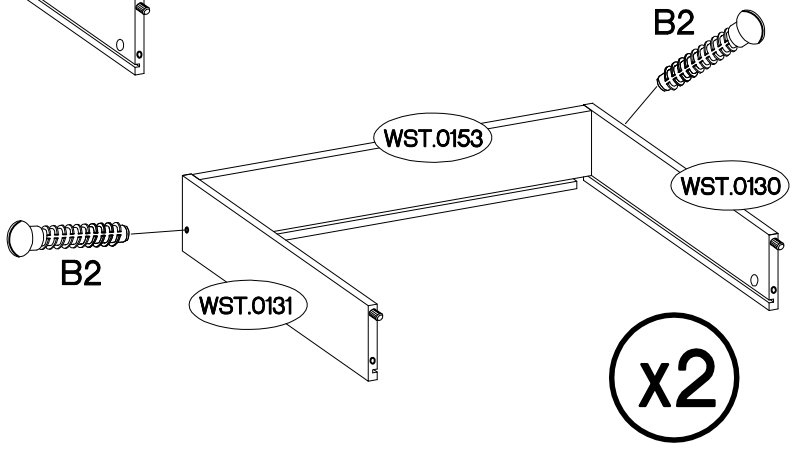
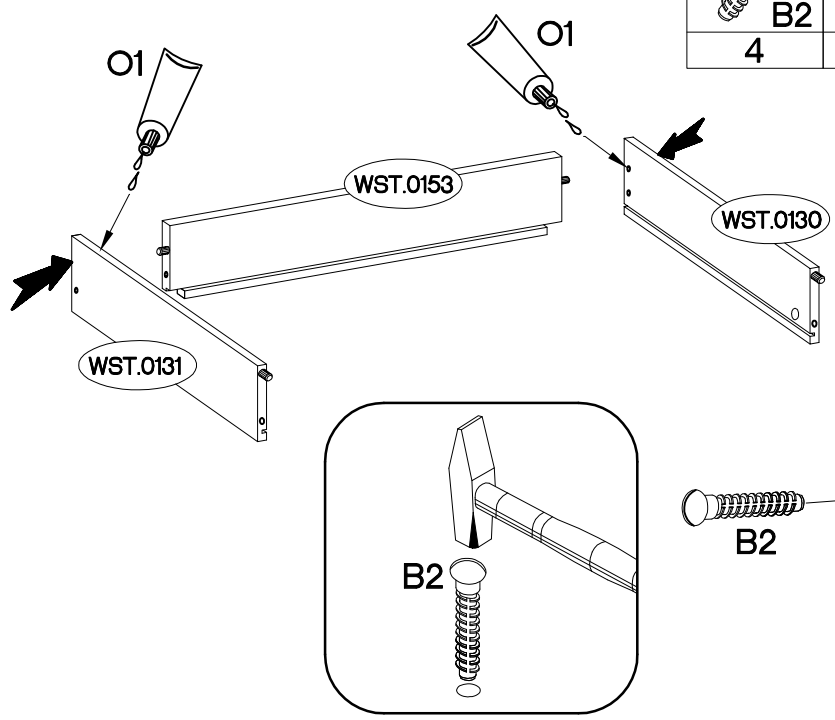
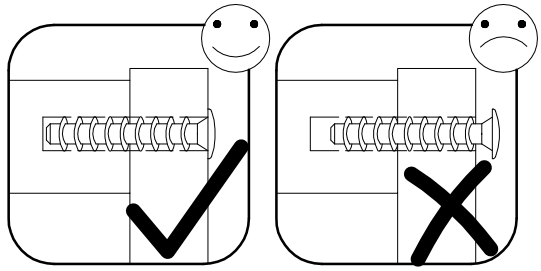
±12/10mm  C5 4	±8x30mm  A 8	 O1 1
---	---	---



x2


2

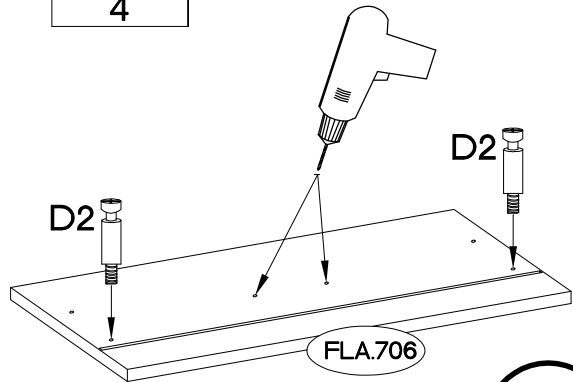
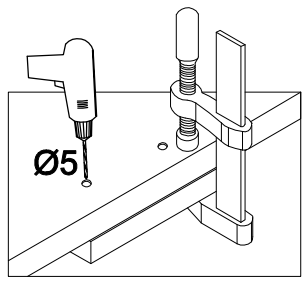
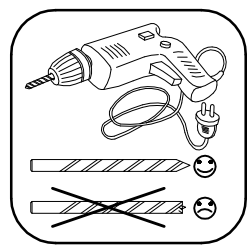
±6x42mm  B2 4	 O1 1
---	--



x2

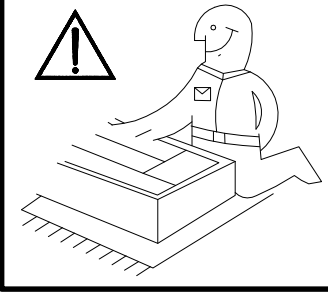
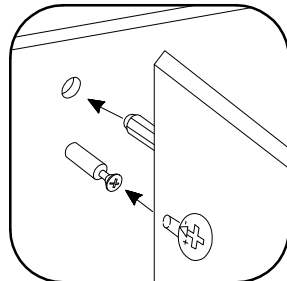
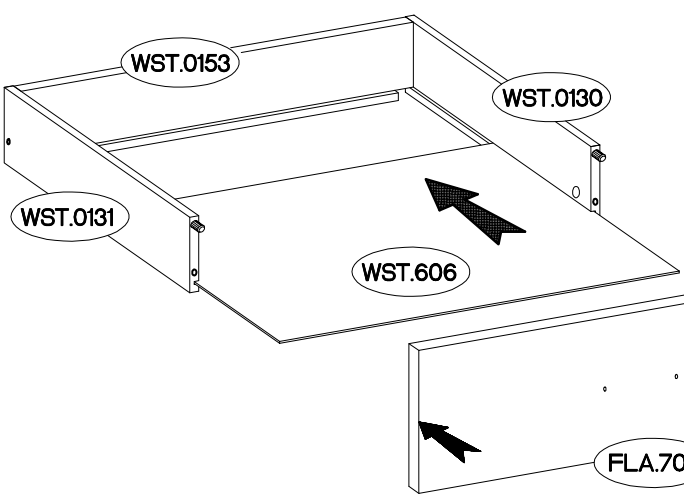
3

L=20mm  D2 4
--

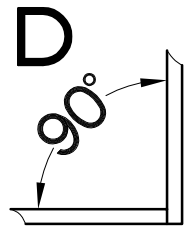
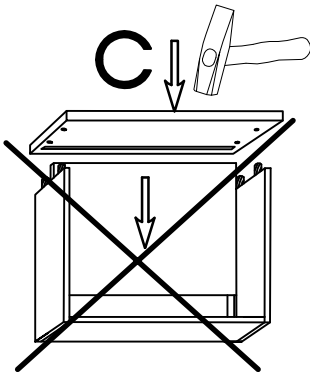
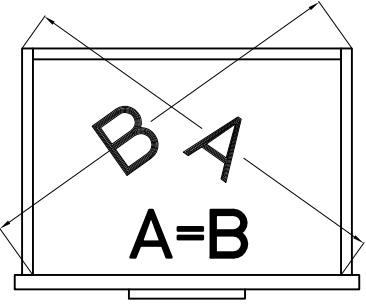
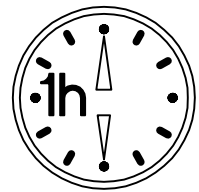
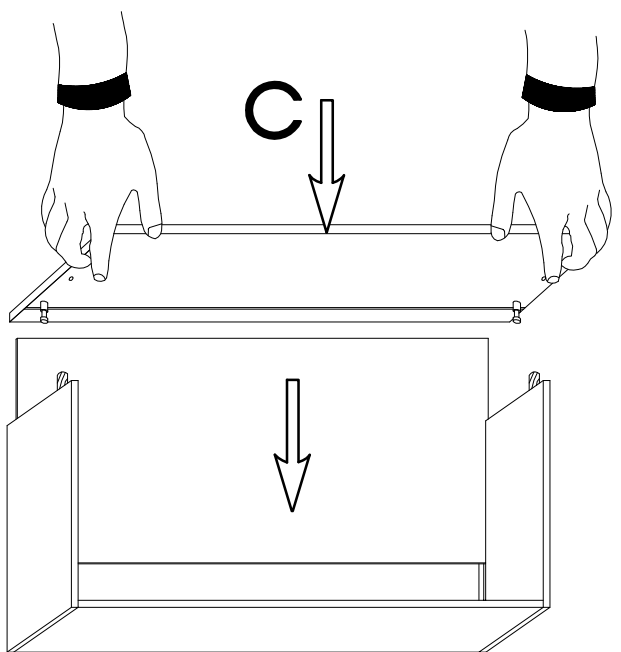
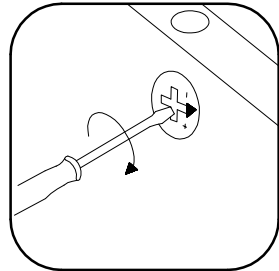


x2

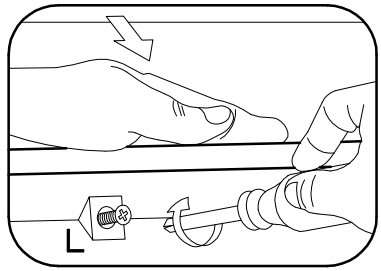
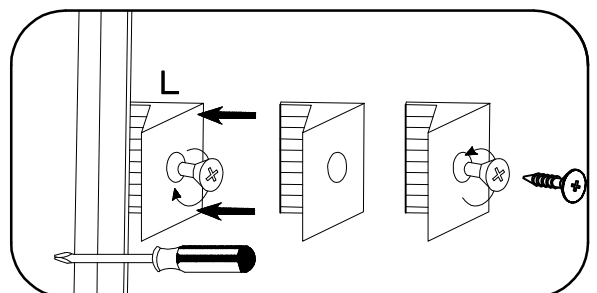
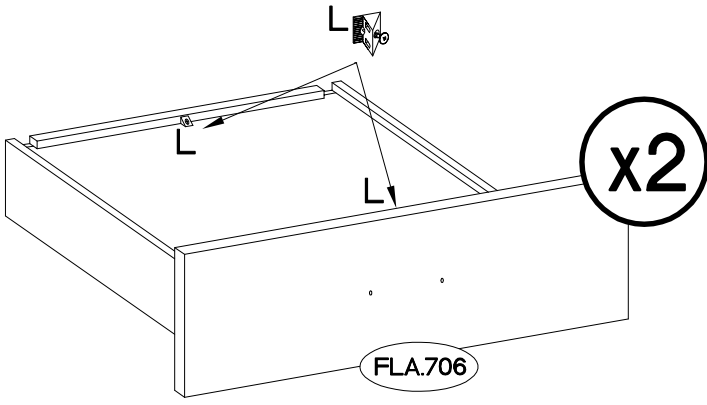
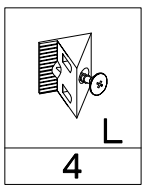
4

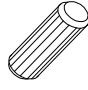


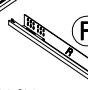




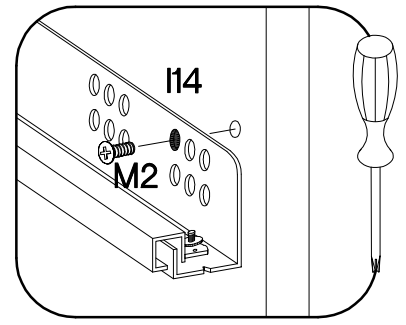
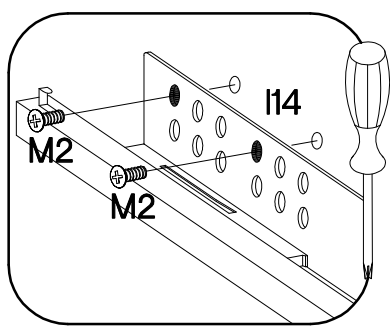
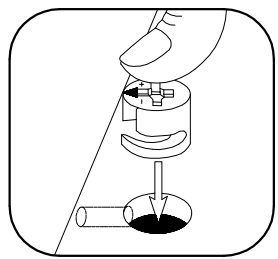
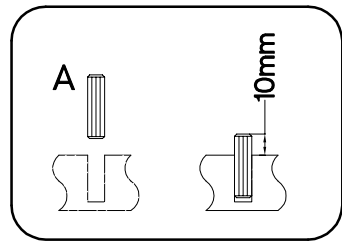
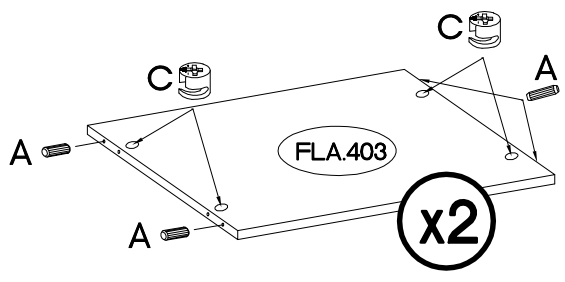
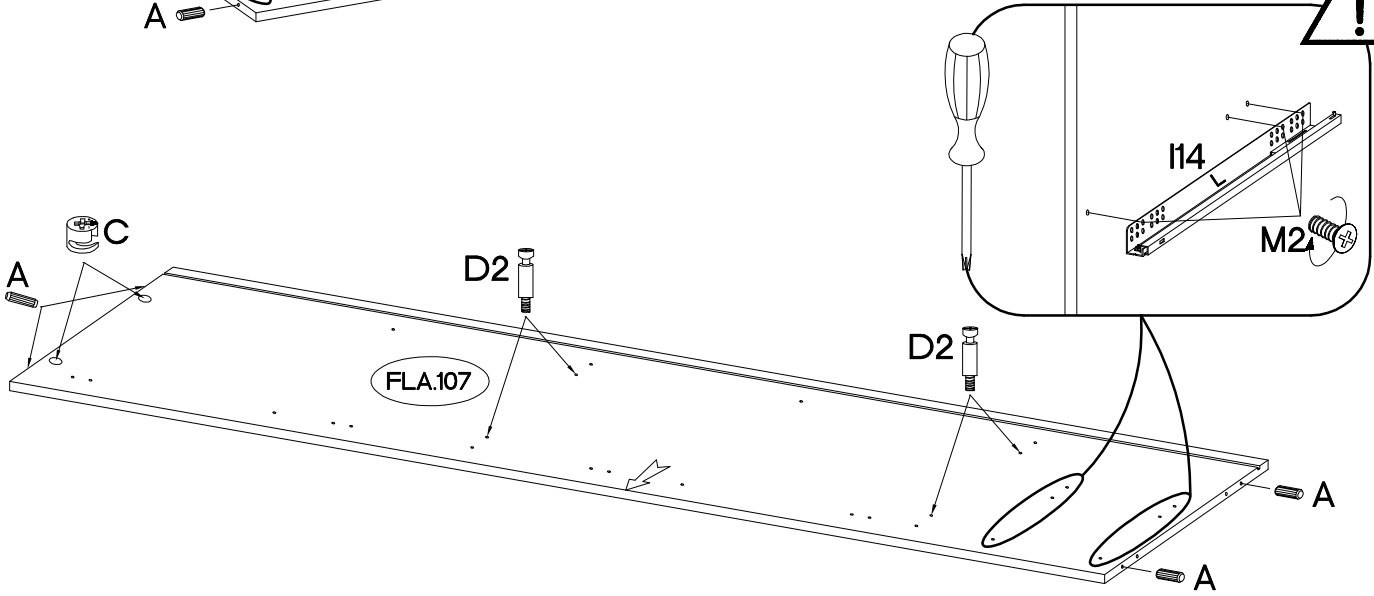
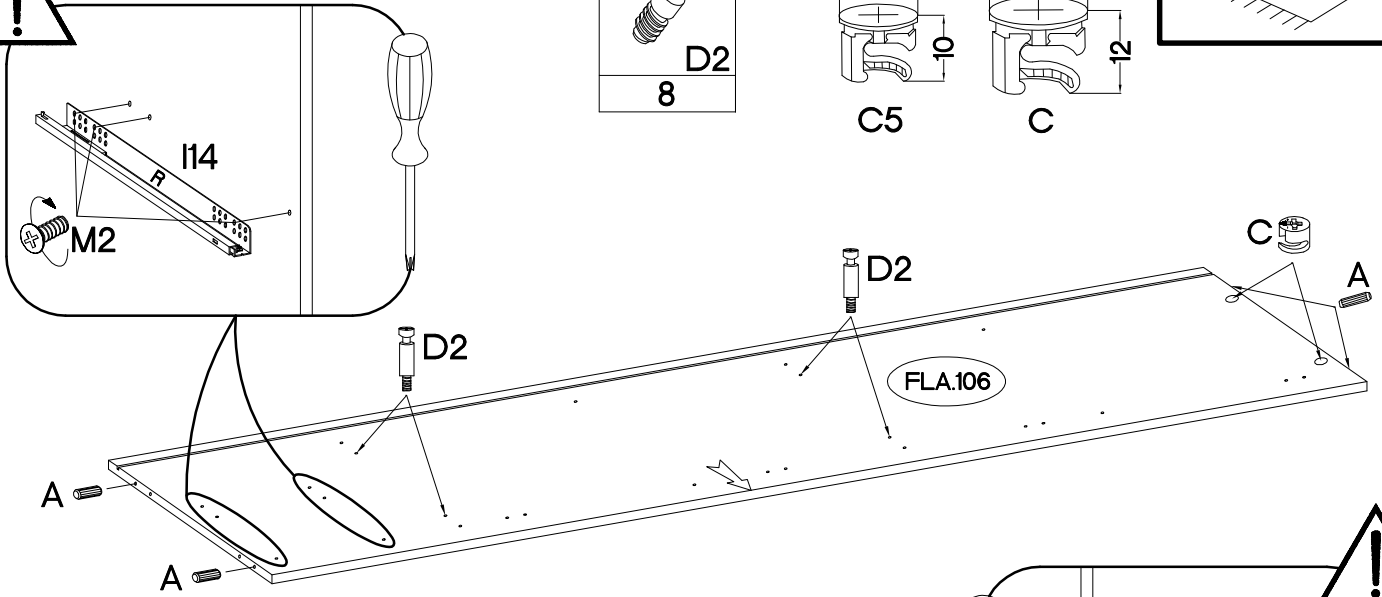
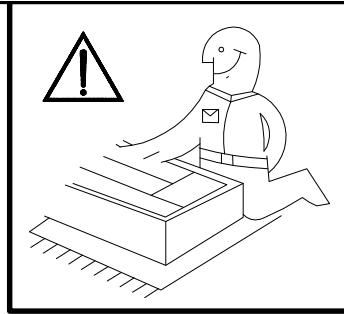
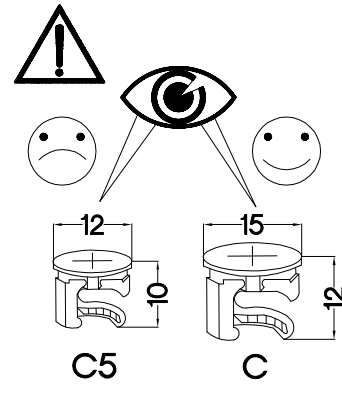
x2



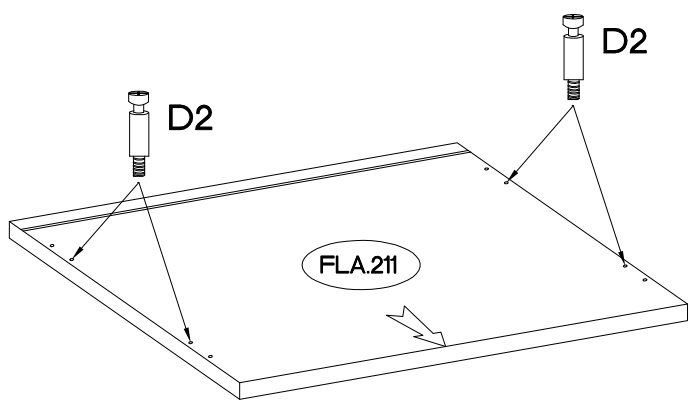
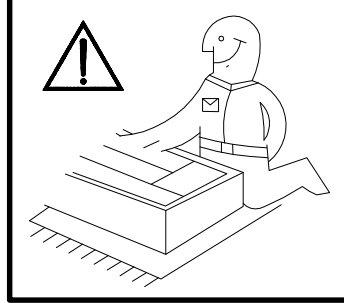
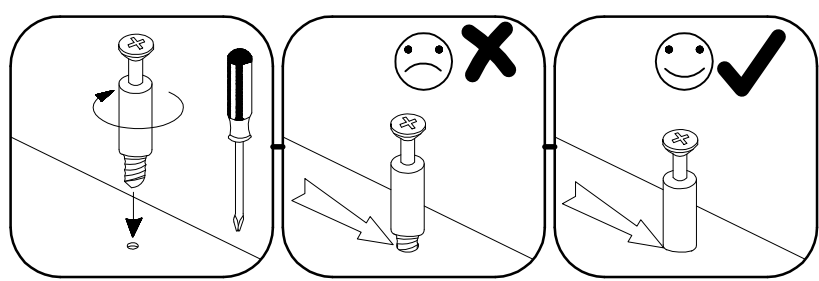
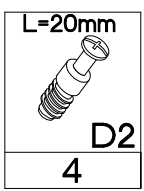
5



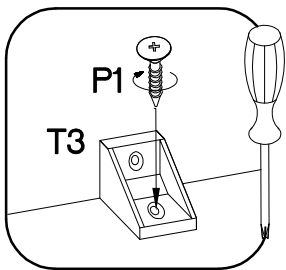
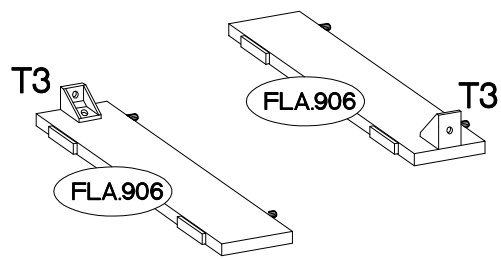
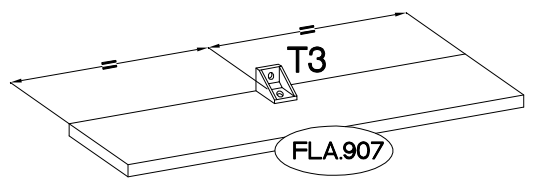
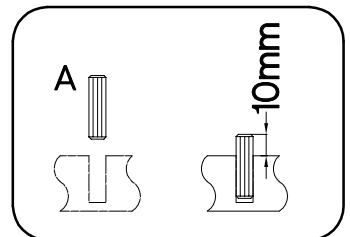
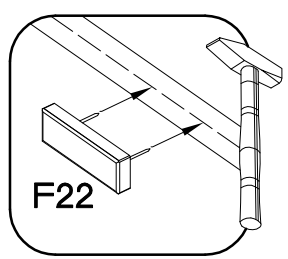
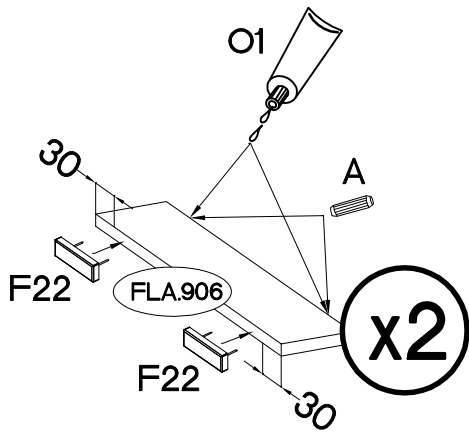
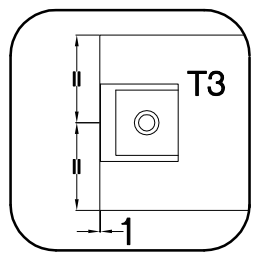
$\pm 8 \times 30 \text{mm}$  A 16	$\pm 15/12 \text{mm}$  C 12	 L  R L=300mm I14 2	$\pm 6.3 \times 13 \text{mm}$  M2 12
			L=20mm  D2 8



7

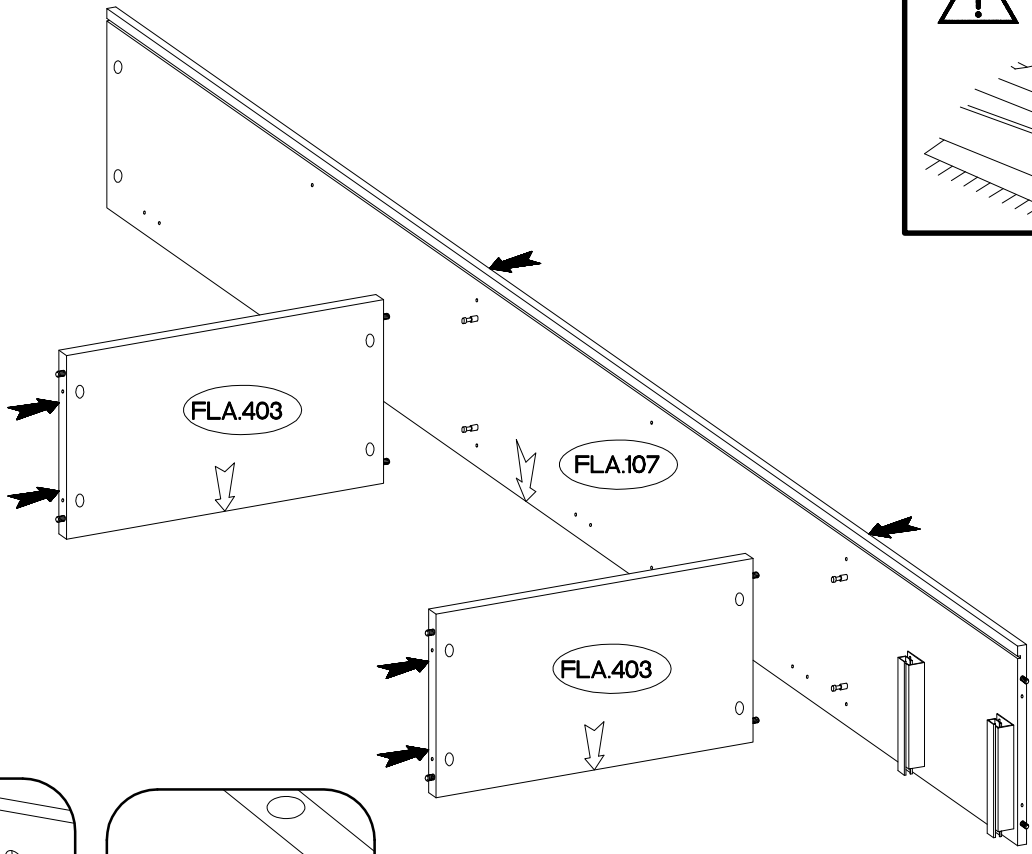
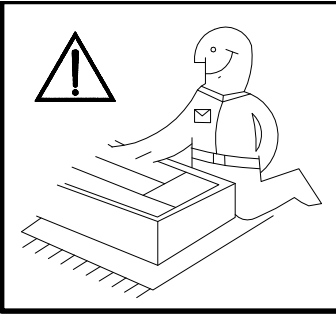


8

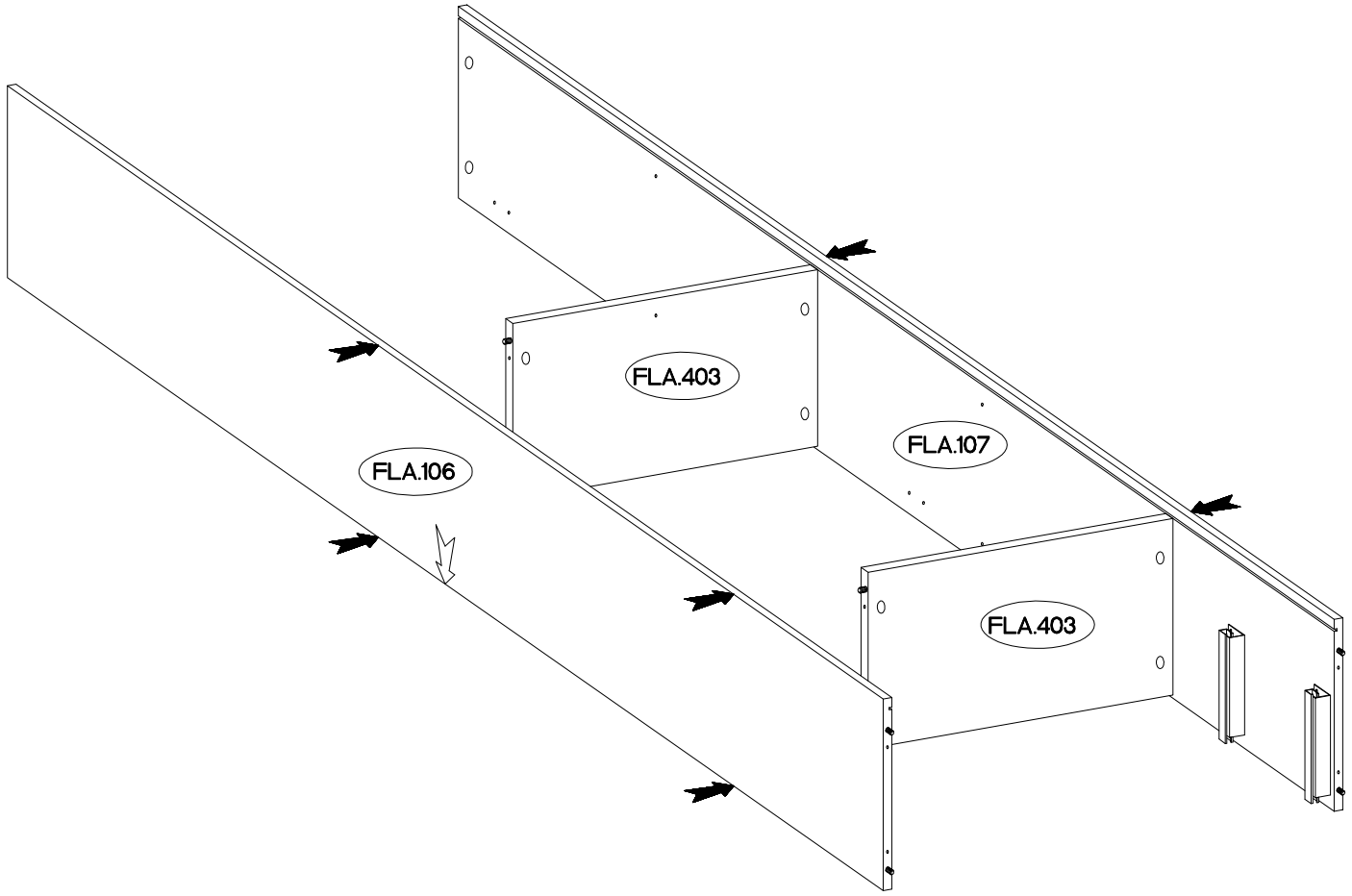
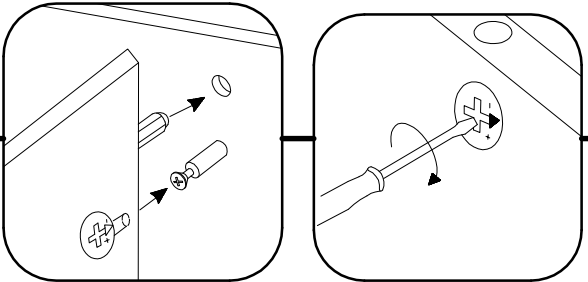


T3	P1	F22	O1	A
3	3	4	1	4

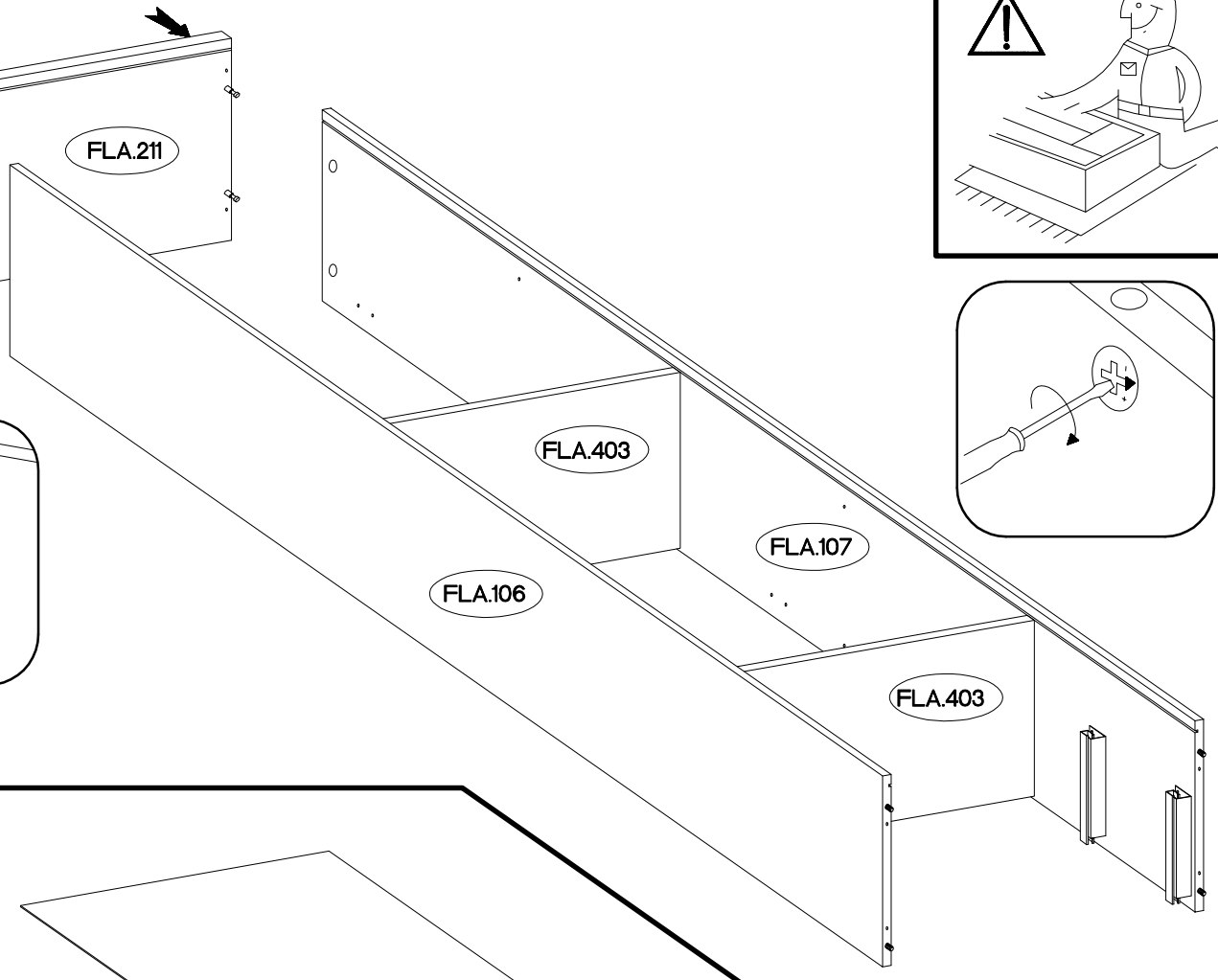
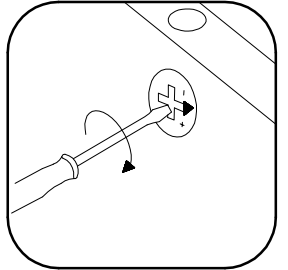
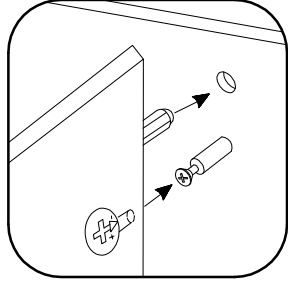
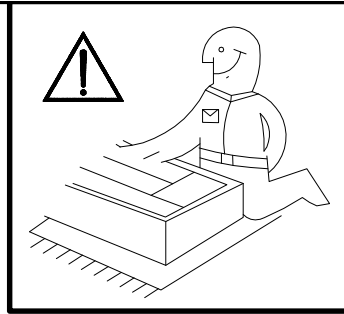
9



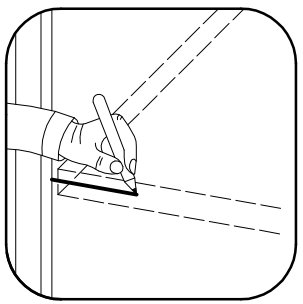
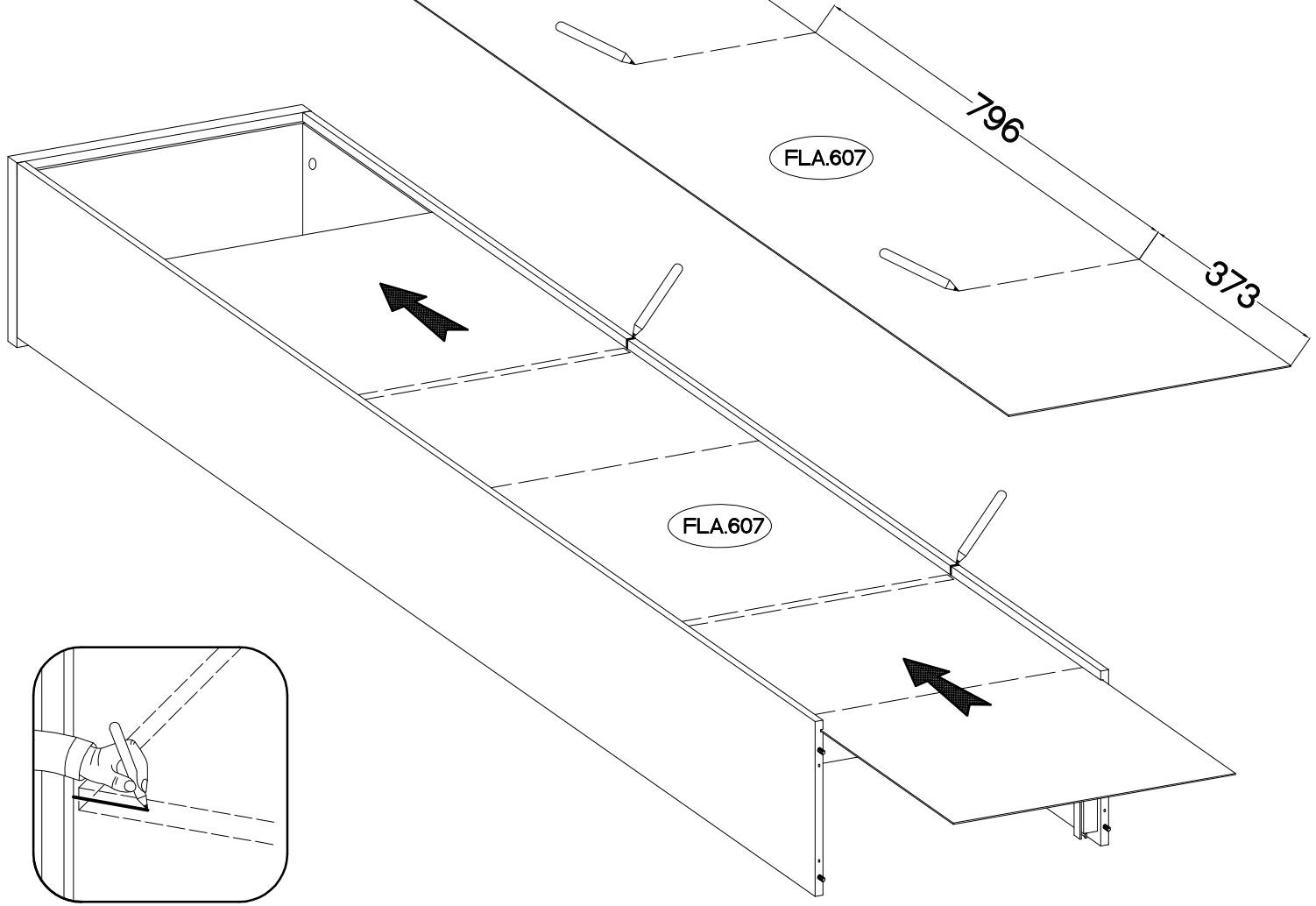
10



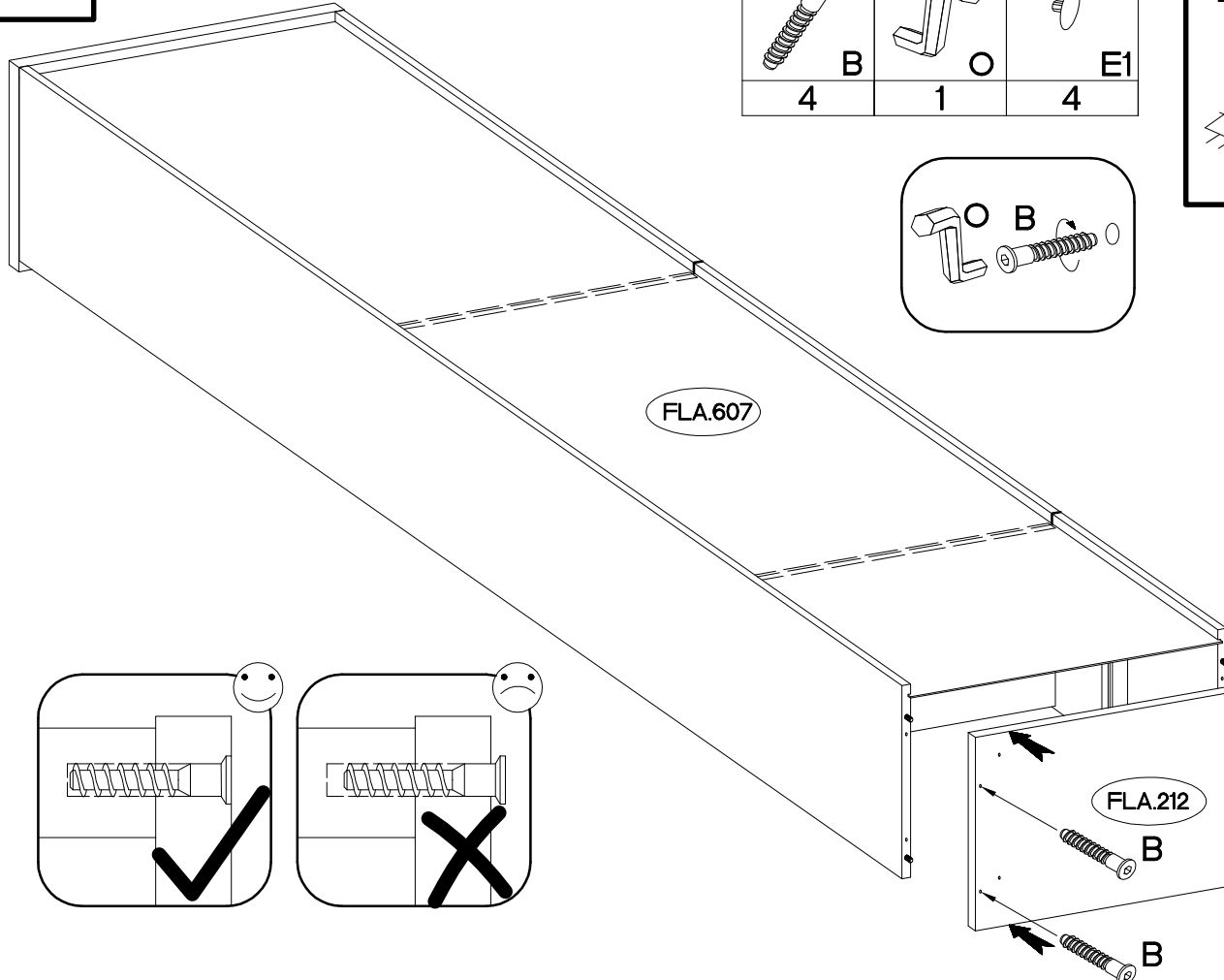
11



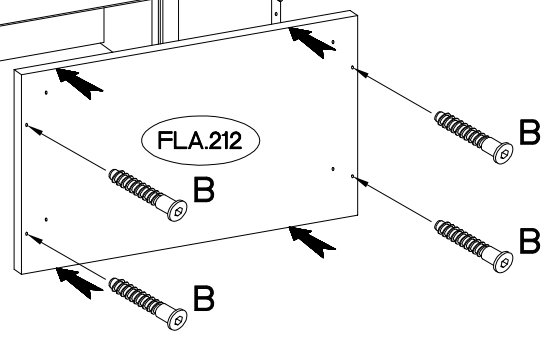
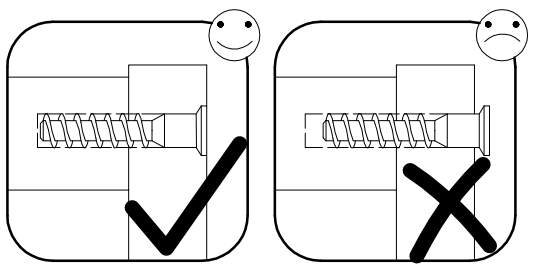
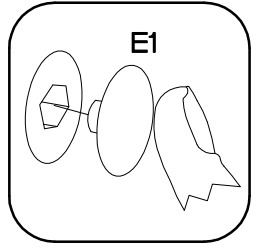
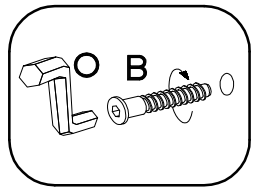
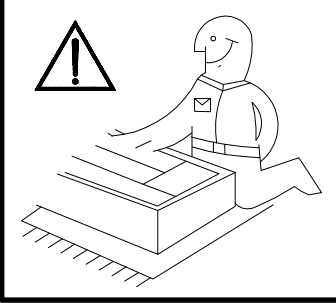
12



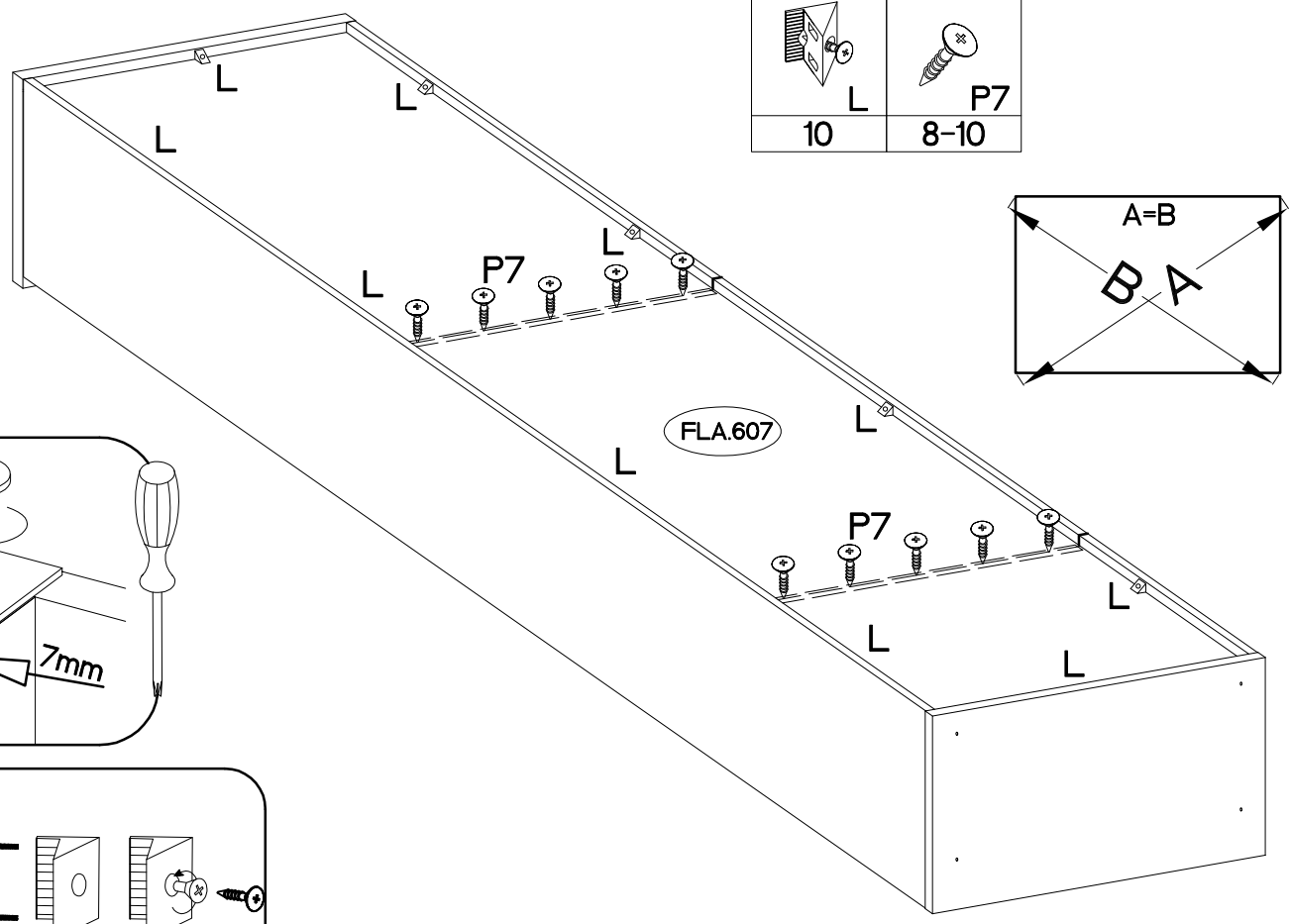
13



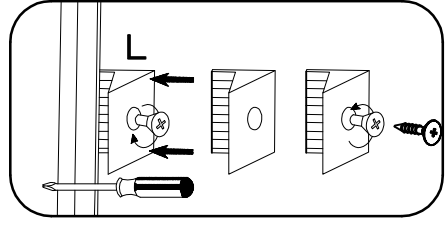
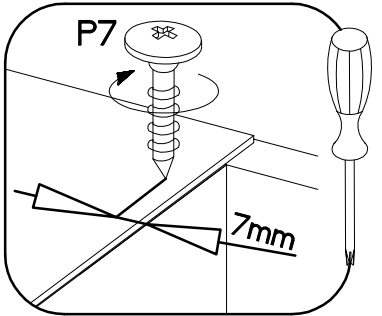
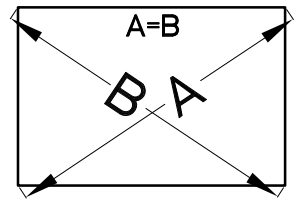
6,4 x 50mm			
	B	O	E1
	4	1	4




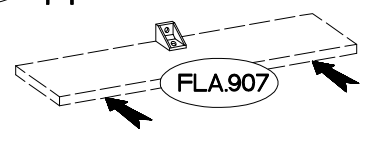
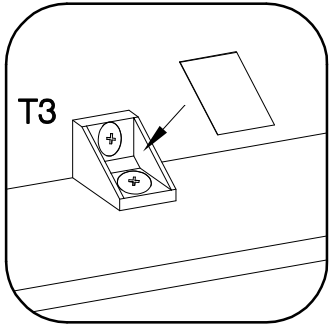
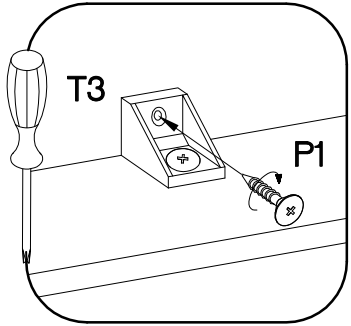
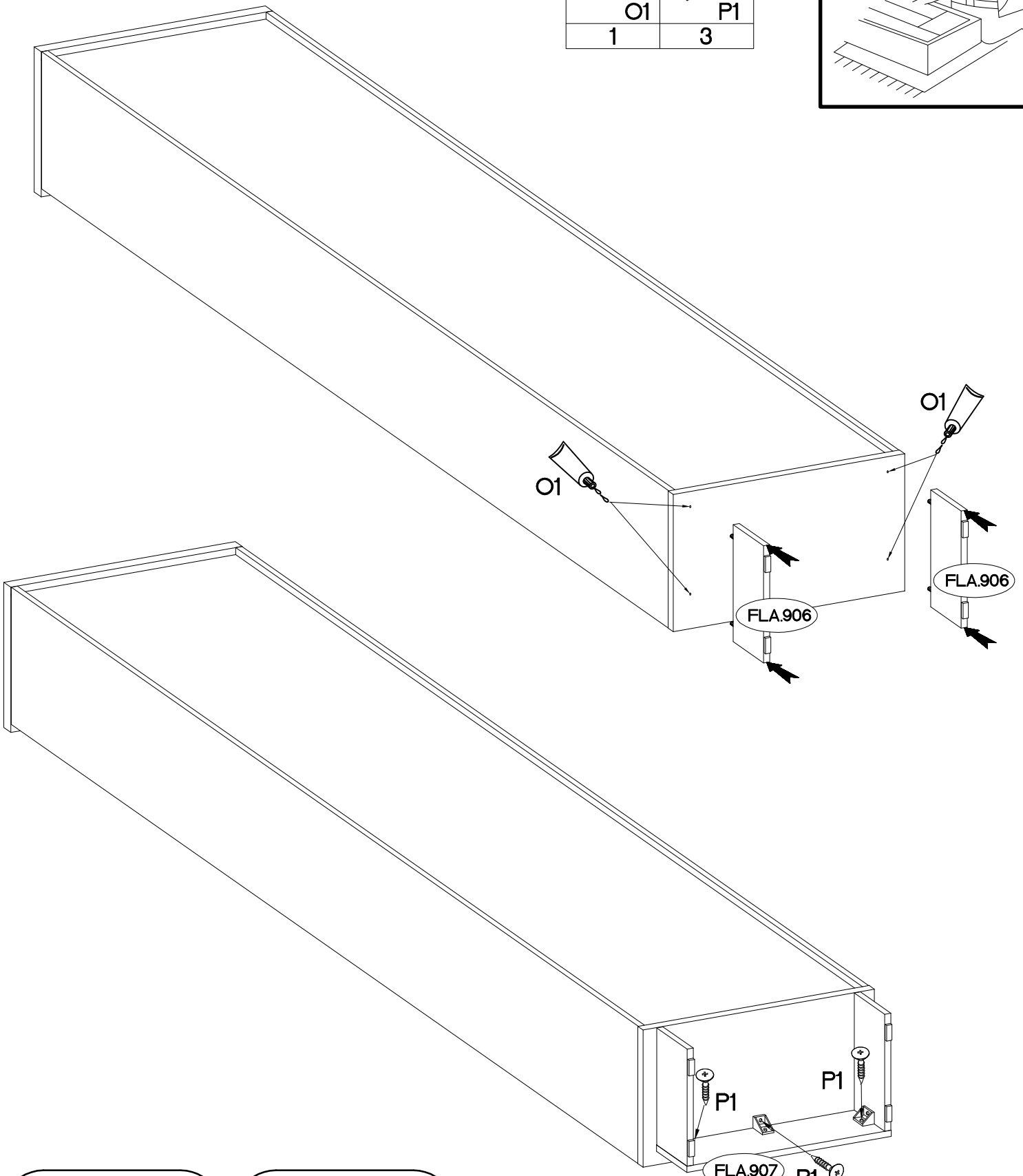
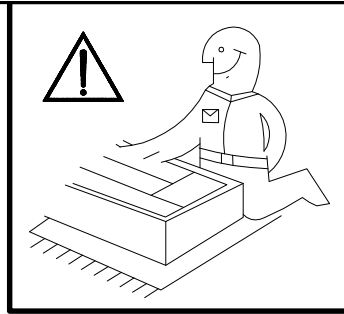
14

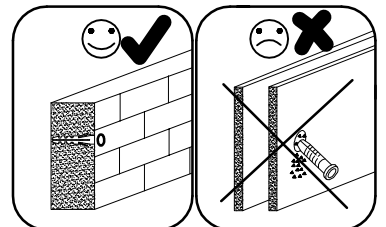
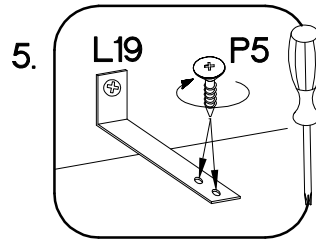
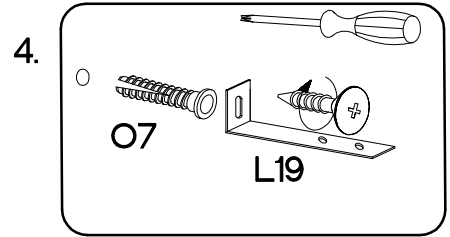
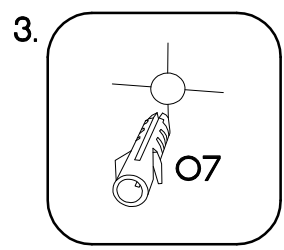
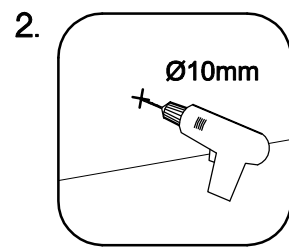
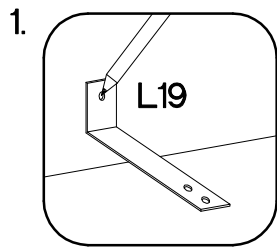
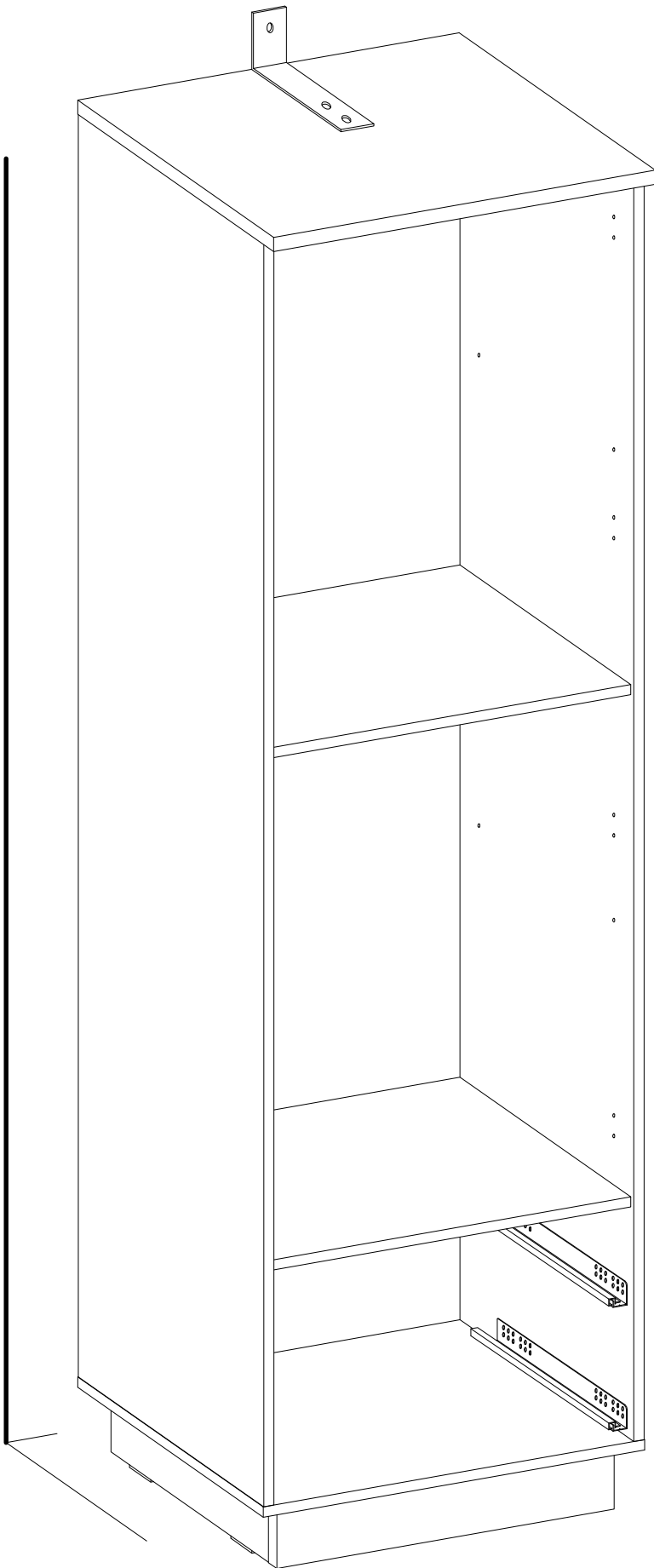


L	P7
10	8-10

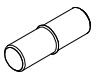



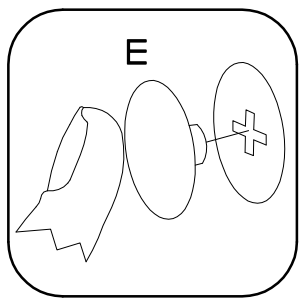
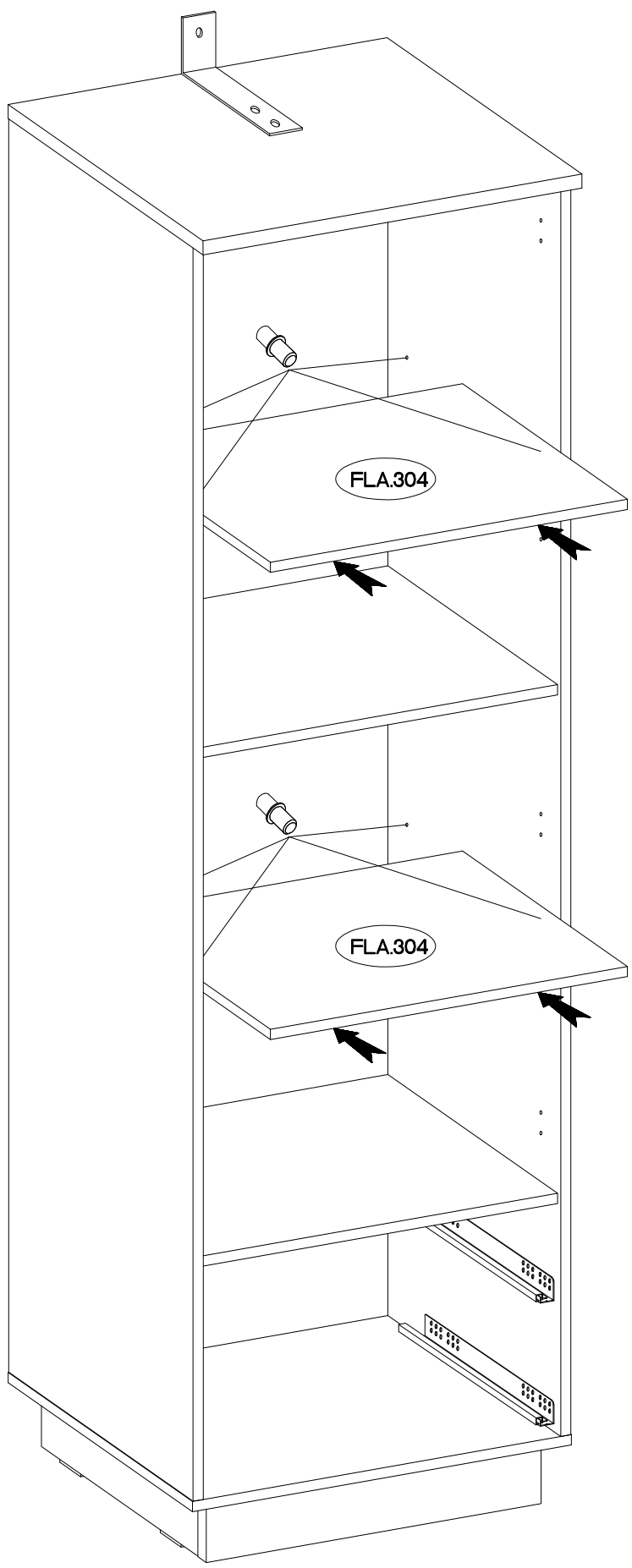
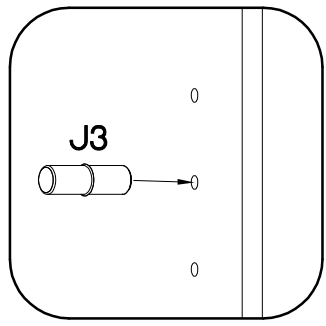
	$\pm 4.0 \times 16 \text{mm}$
O1	P1
1	3




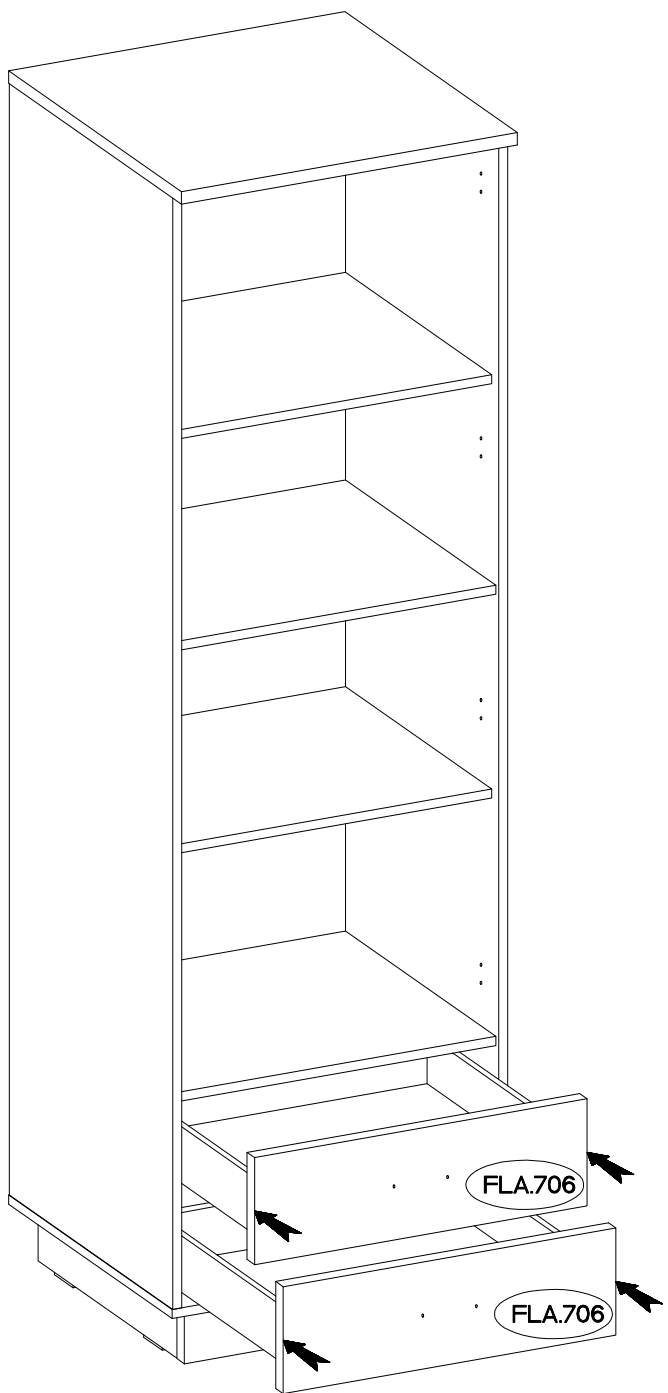


	±3.5x13mm	±5.0x60mm	±10x50mm
L19	P5	P12	O7
1	2	1	1

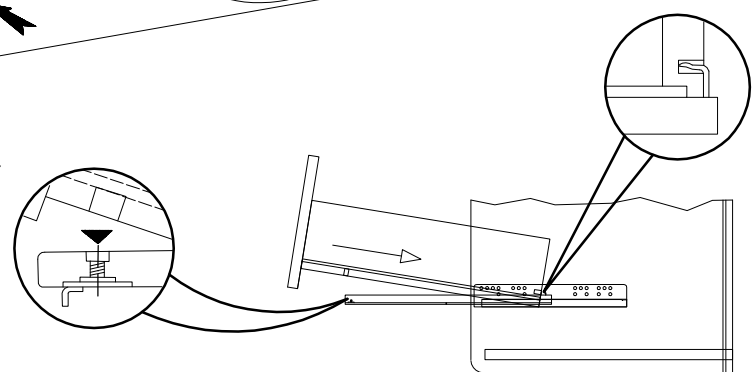
±5/16mm  J3 8	 E 12
--	---



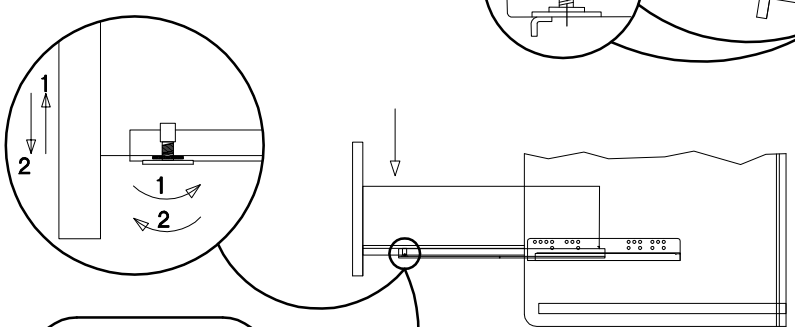
±3.0x20mm

P7
4



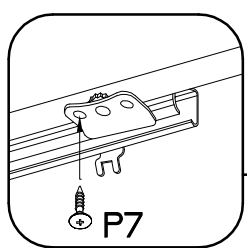
1.

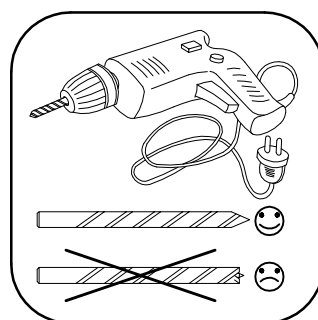
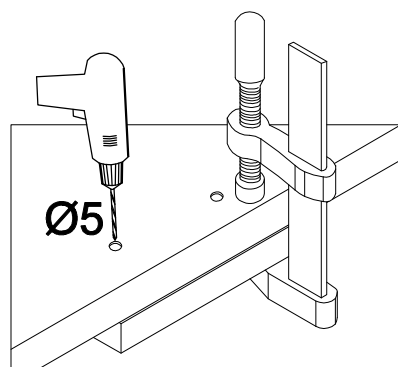
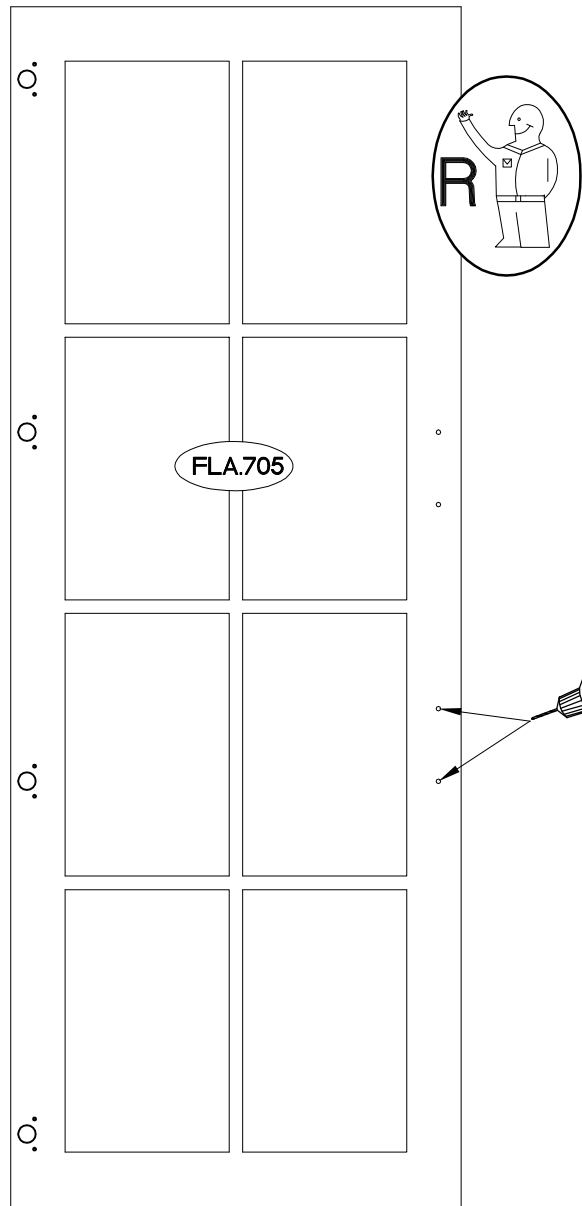
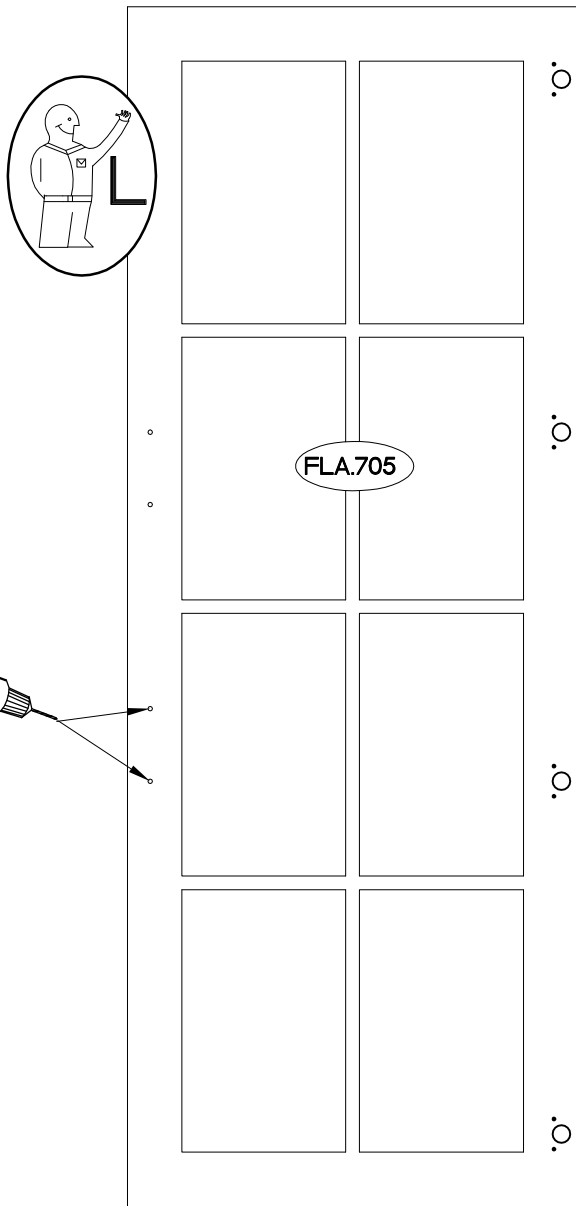


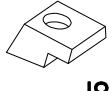

2.

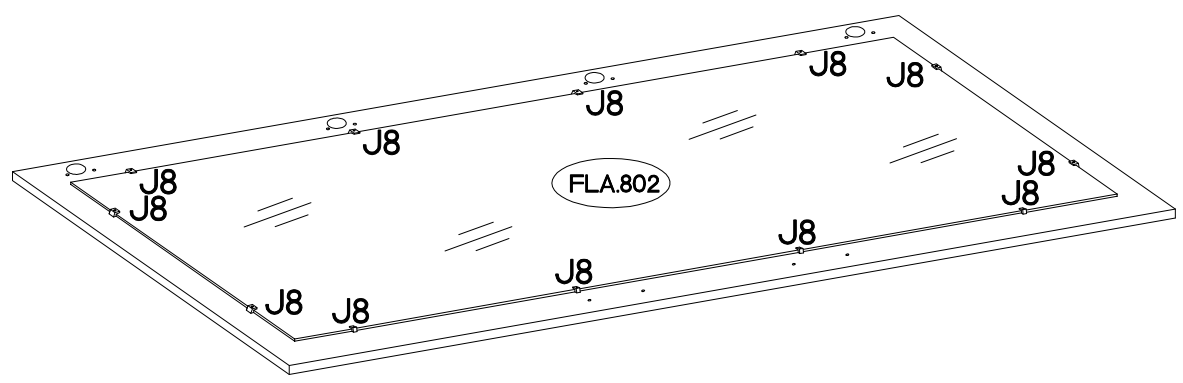
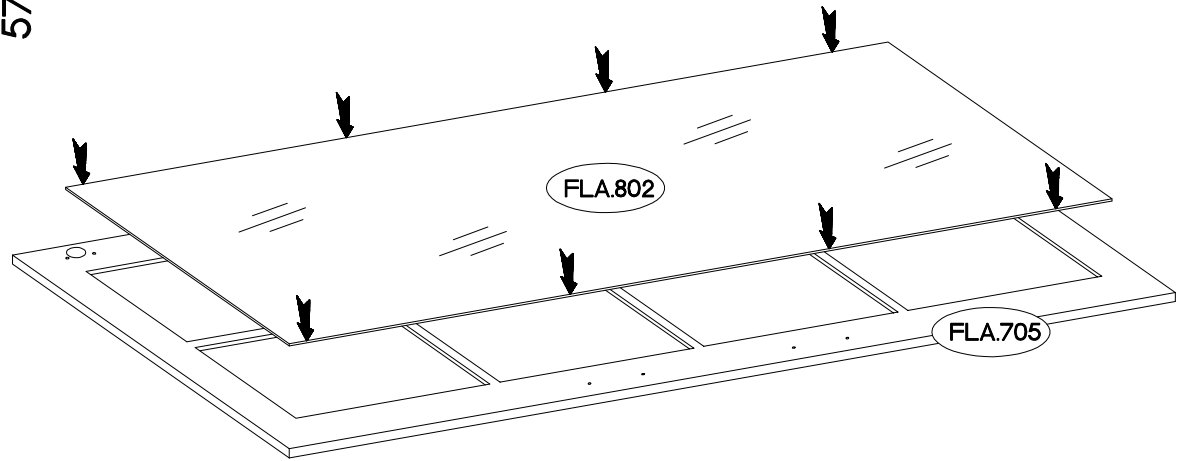
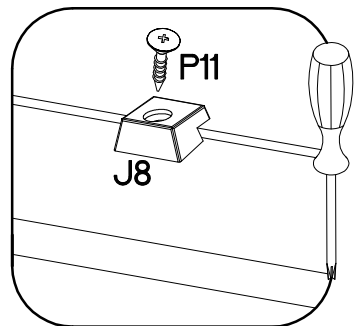
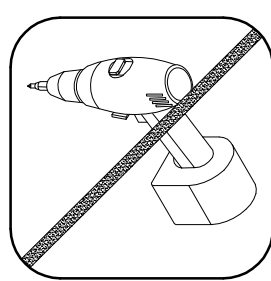
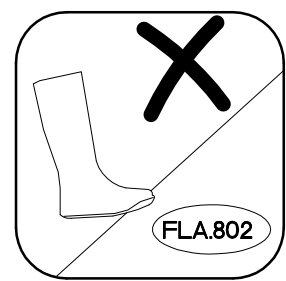
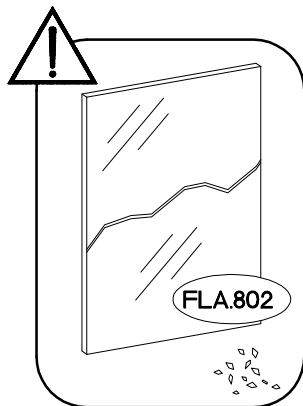
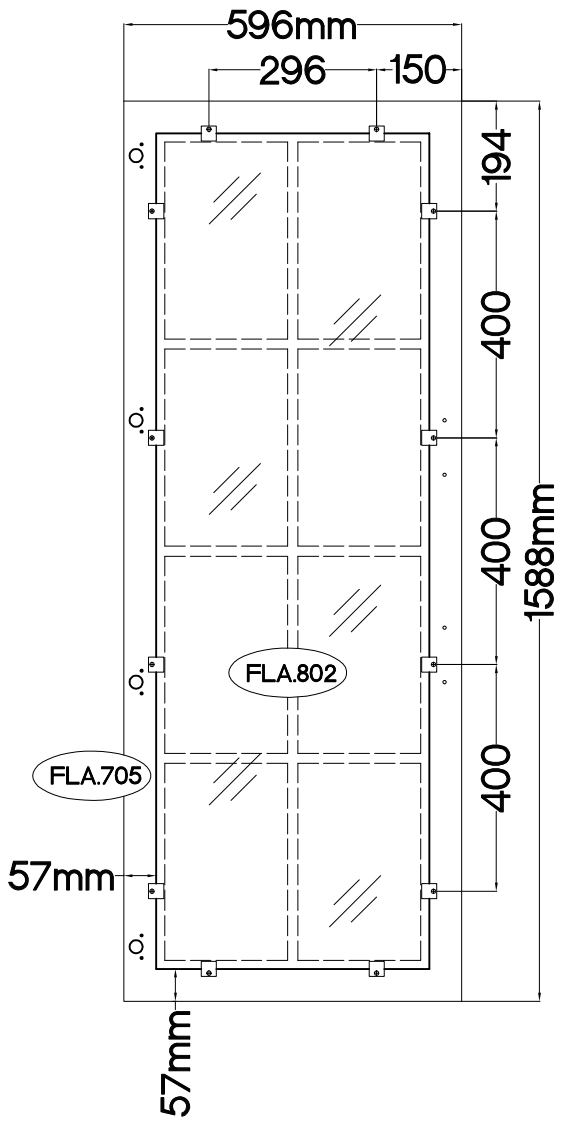
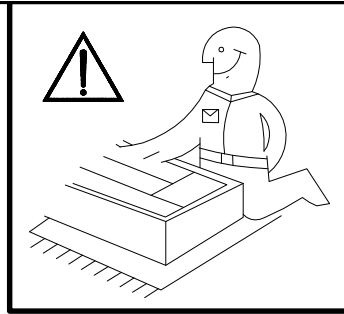


3.



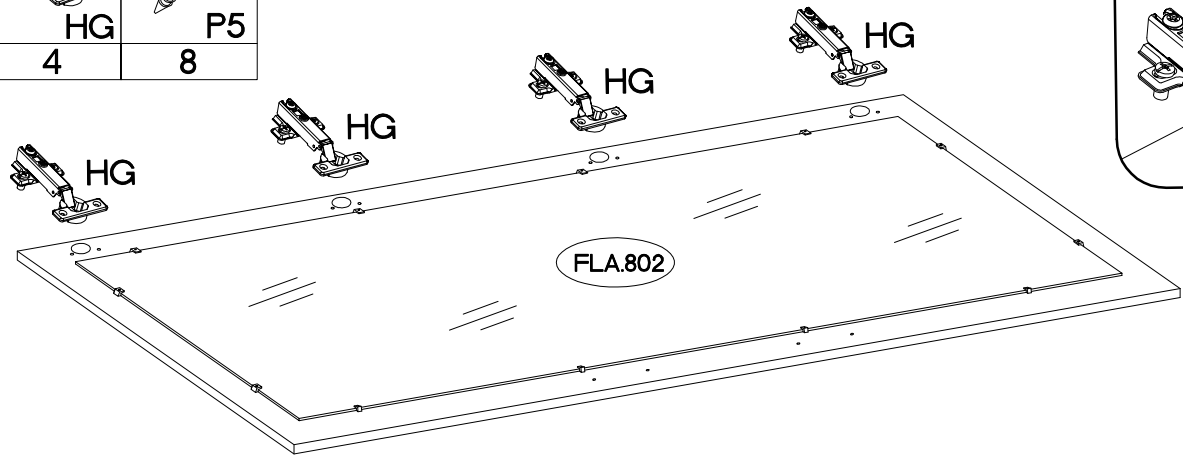


	±3.0x16mm 
J8 12	P11 12



21

±35/0mm HG 4	±3.5x13mm P5 8
--------------------	----------------------



22

M4x22mm U 6	S 3
-------------------	--------

