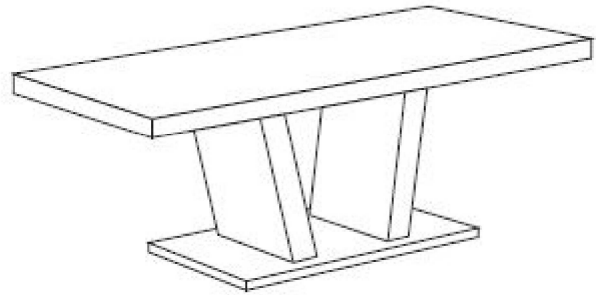
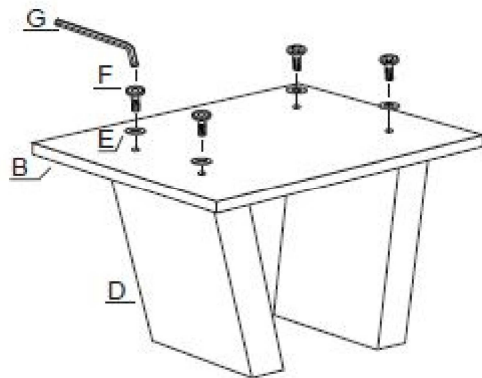


HARDWARE LIST			
NO.	PART	DESCRIPTION	Q'TY
A		MDF top	1
B		undertop board	1
C		base	1
D		leg	2
E		caps	12
F		screw	12
G		allen key	1

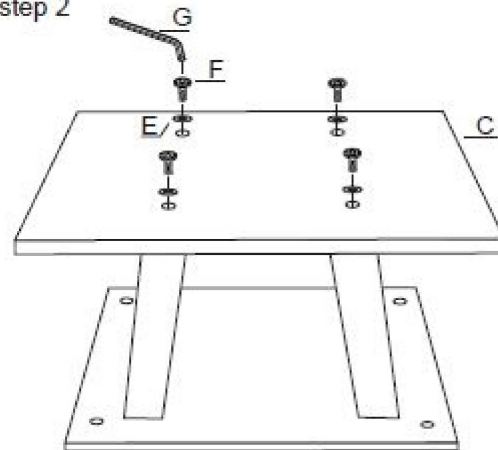
LDT477



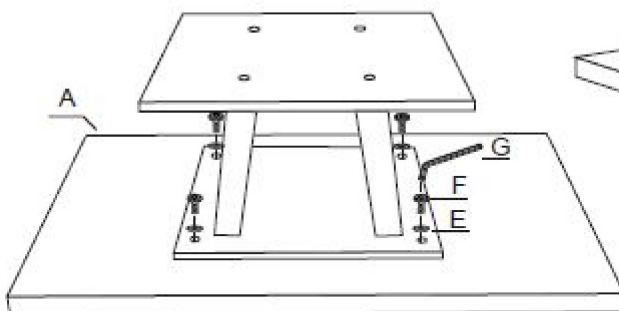
step 1



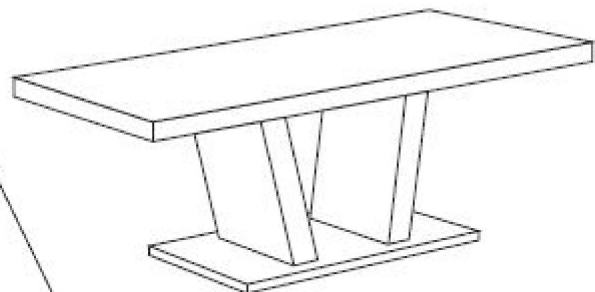
step 2



step 3



step 4



LDT477 1/1