
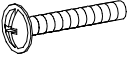
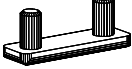


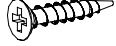
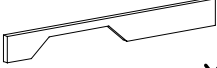

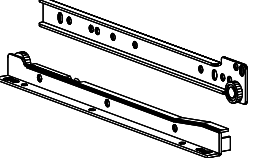
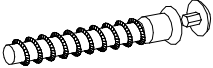


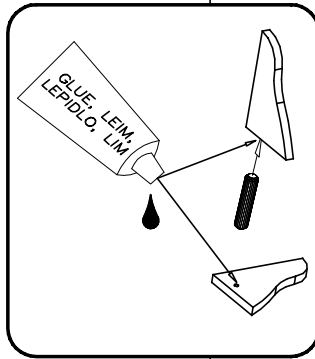
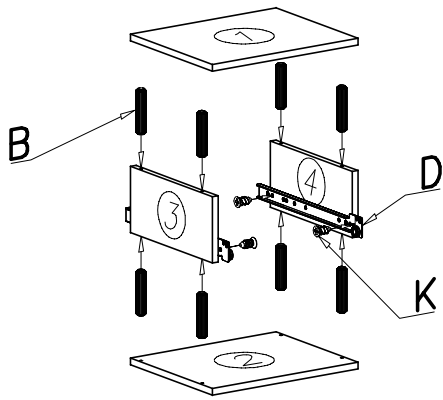
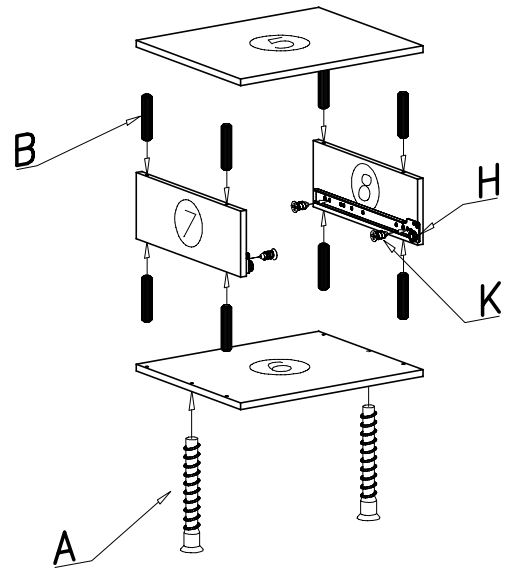


Z  x1	N  M4 x 22 x4	G  x4	K  6 x 13 x8	
W  x2	E  3 x 20 x30	U  x2	D  30cm x1	H  40cm x1
A  x2	B  x32	T  4 x 16 x12		

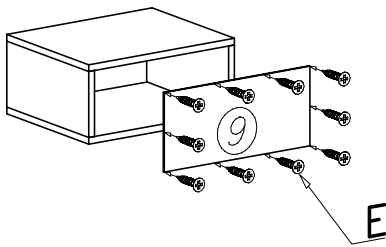
I



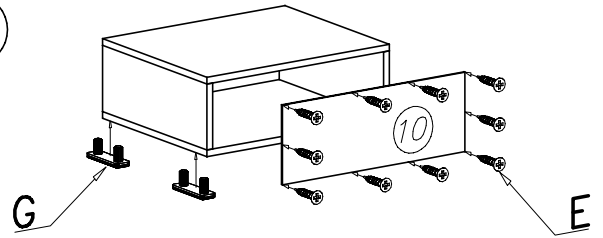
II



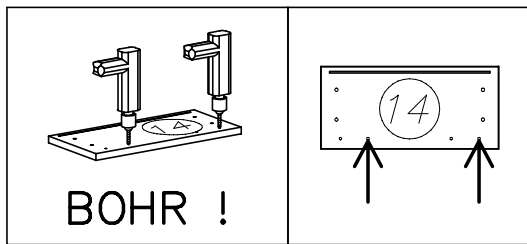
III



IV



V



VI

