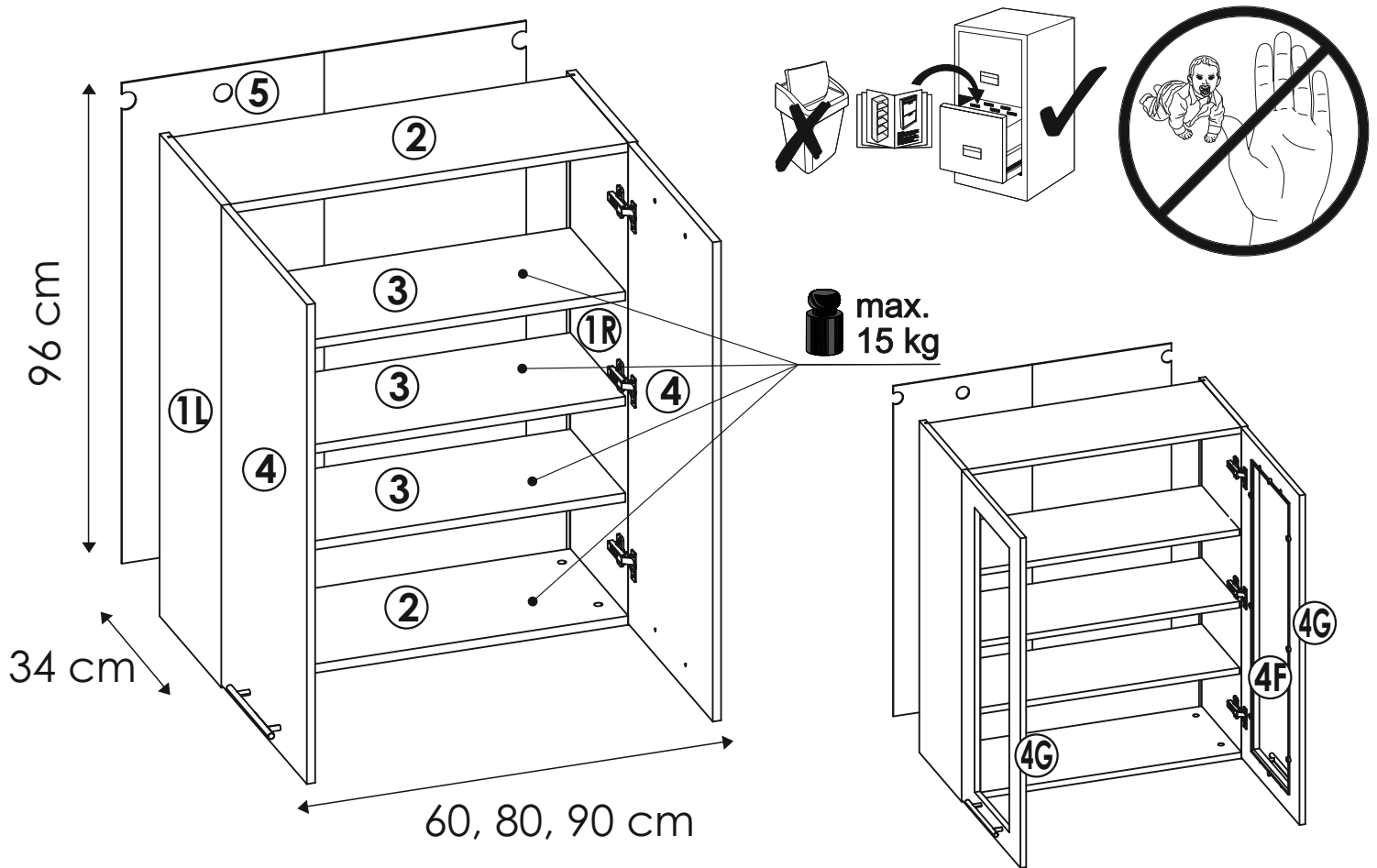
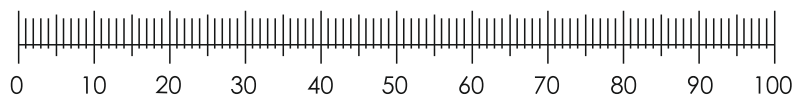
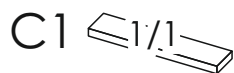
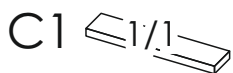


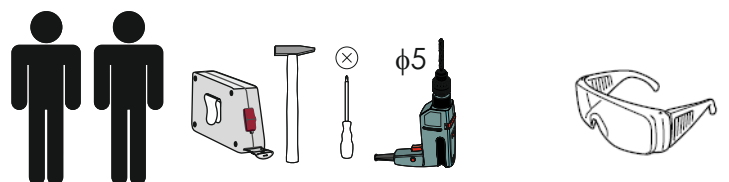
W4 60, 80, 90

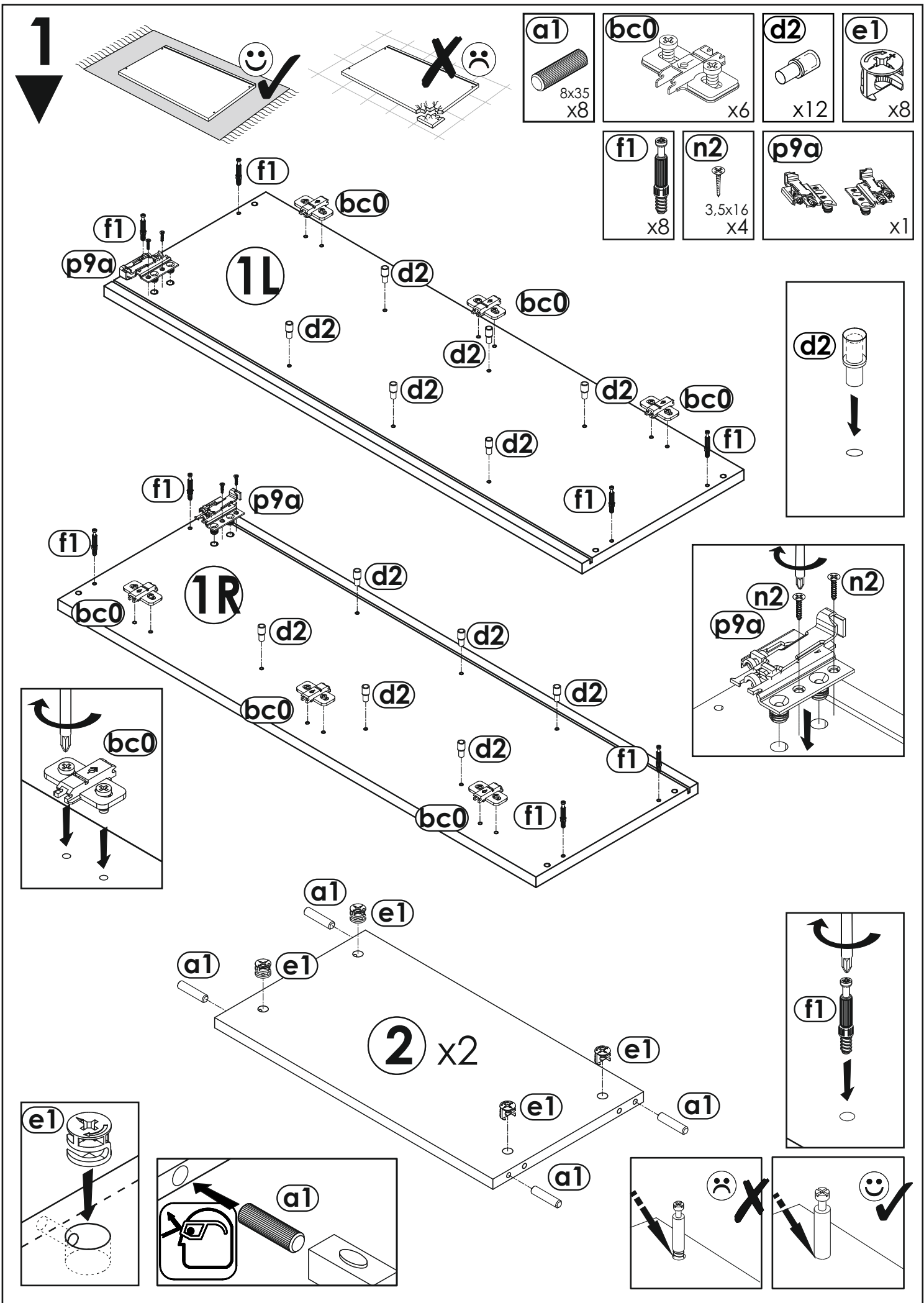


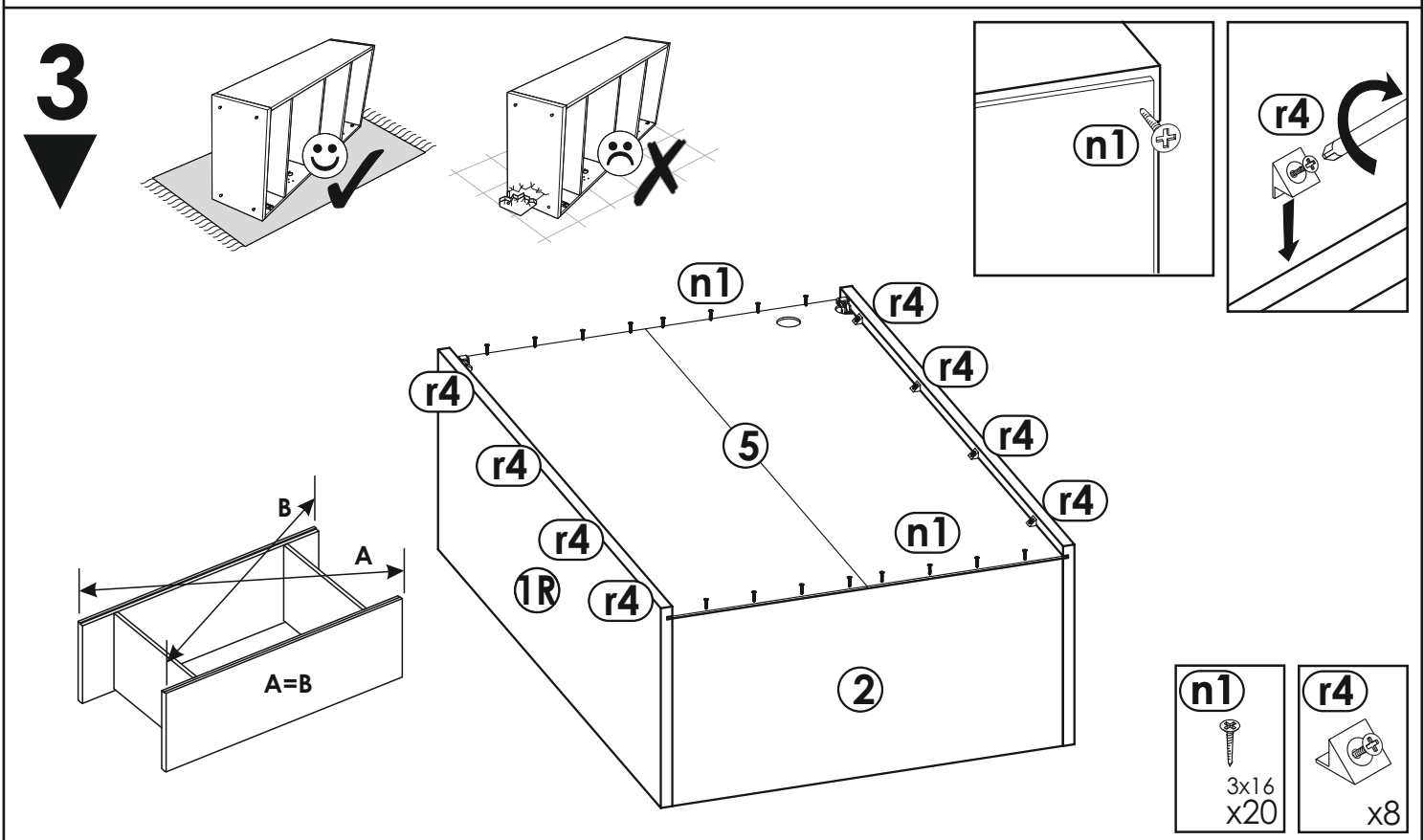
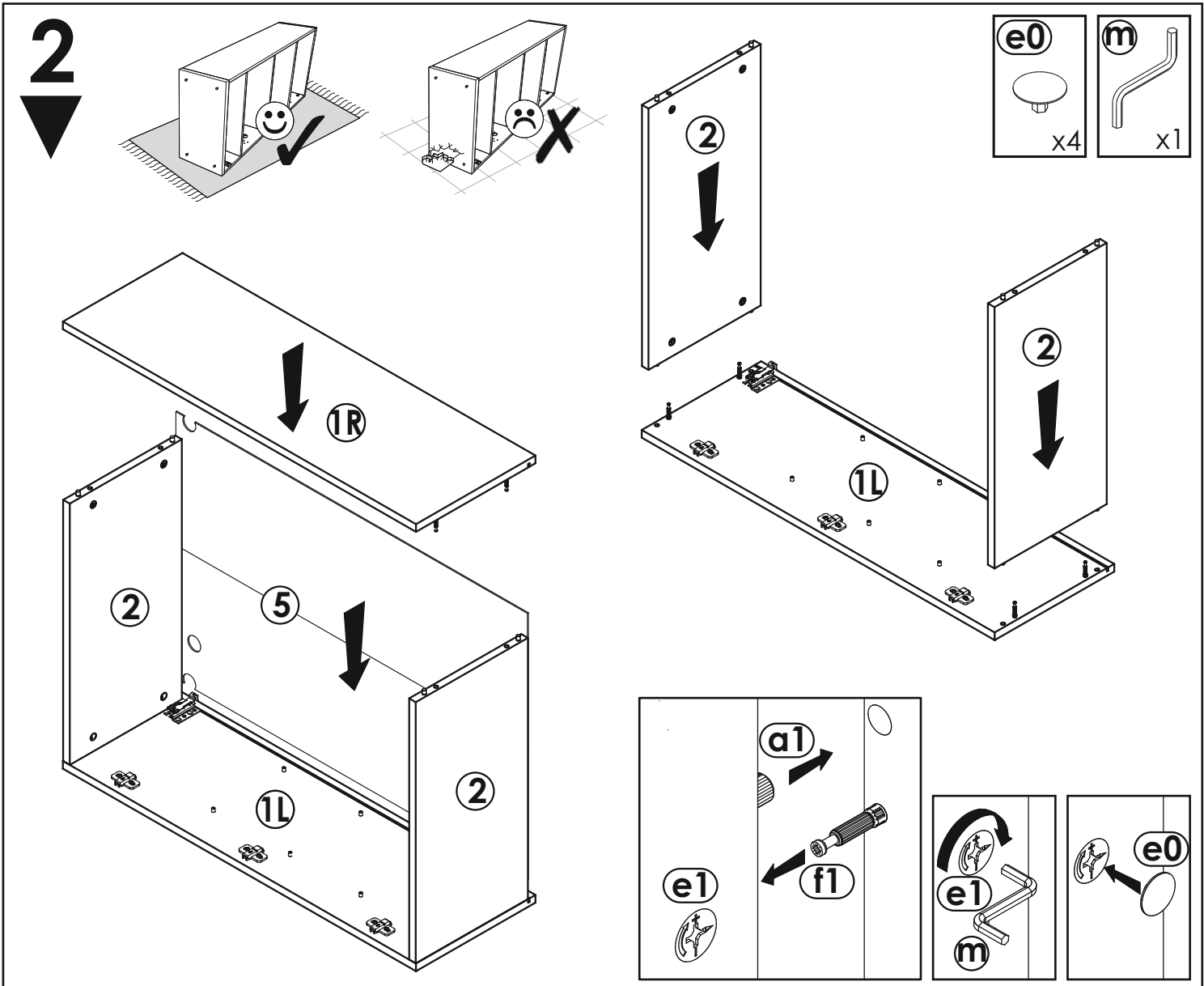
a1 8x35 x....(x8)	bc0 x....(x6)	bc1 x....(x6)	c1 Euro 4x13 x....(x12)	d2 x....(x12)	e0 x....(x8)	e1 x....(x8)	f1 x....(x8)	k3 4x22 x....(x4)
h1 x....(x2)	m x....(x1)	n1 3x16 x....(x40)	n2 3,5x16 x....(x4)	p02 COLOUR x....(x12)	p9a x....(x1)	r2 x....(x16)	r4 x....(x8)	w16 x....(x1)



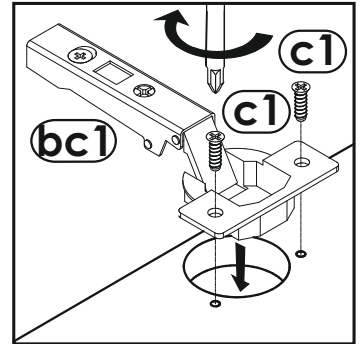
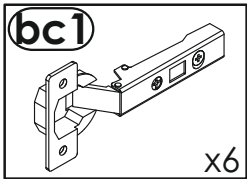
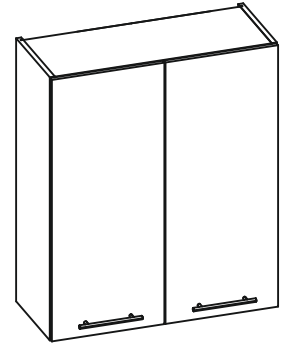
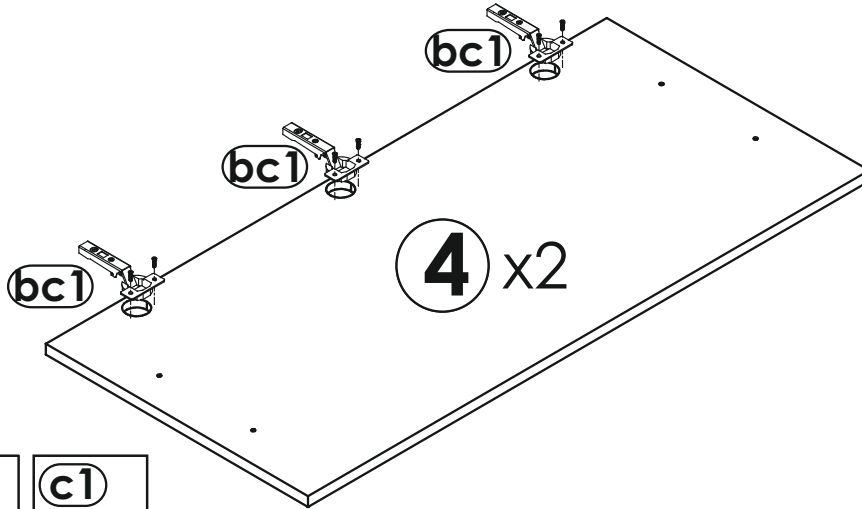
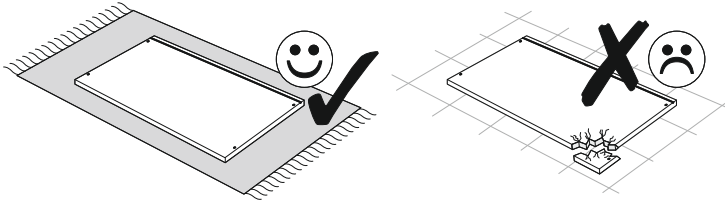
- | | | | |
|----|-----|----|-----|
| ①L | -C1 | ①L | -C1 |
| ①R | -C1 | ①R | -C1 |
| ② | -C1 | ② | -C1 |
| ③ | -C1 | ③ | -C1 |
| ④ | -C1 | ④G | -C1 |
| ⑤ | -C1 | ④F | -C1 |
| | | ⑤ | -C1 |





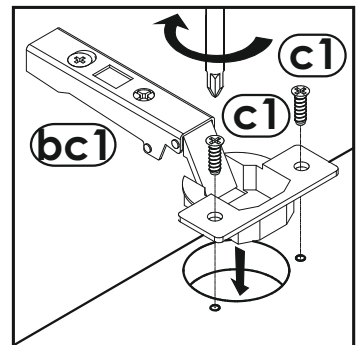
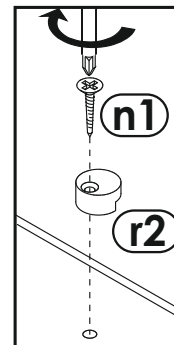
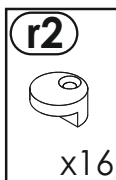
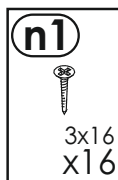
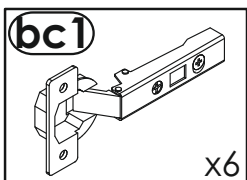
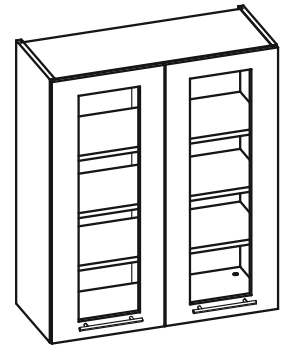
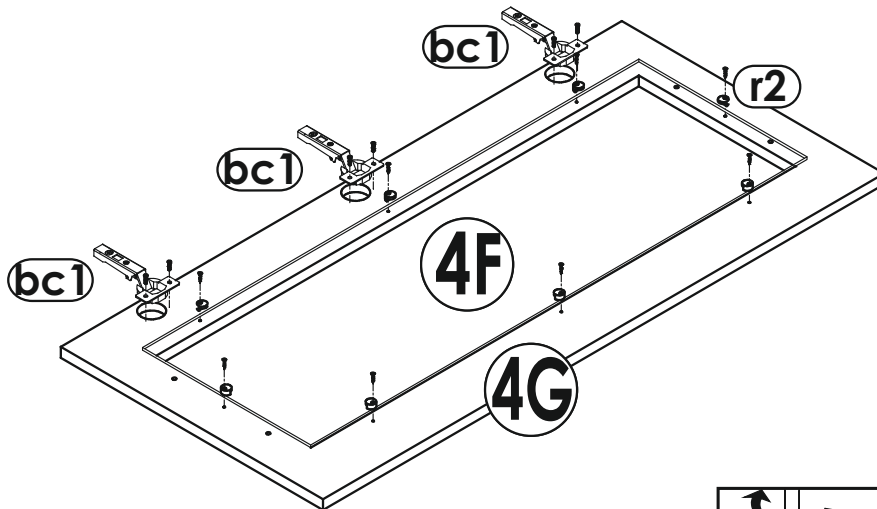


4A
▼

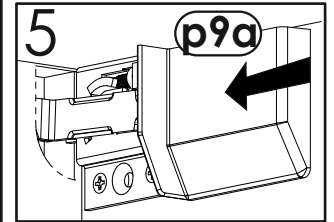
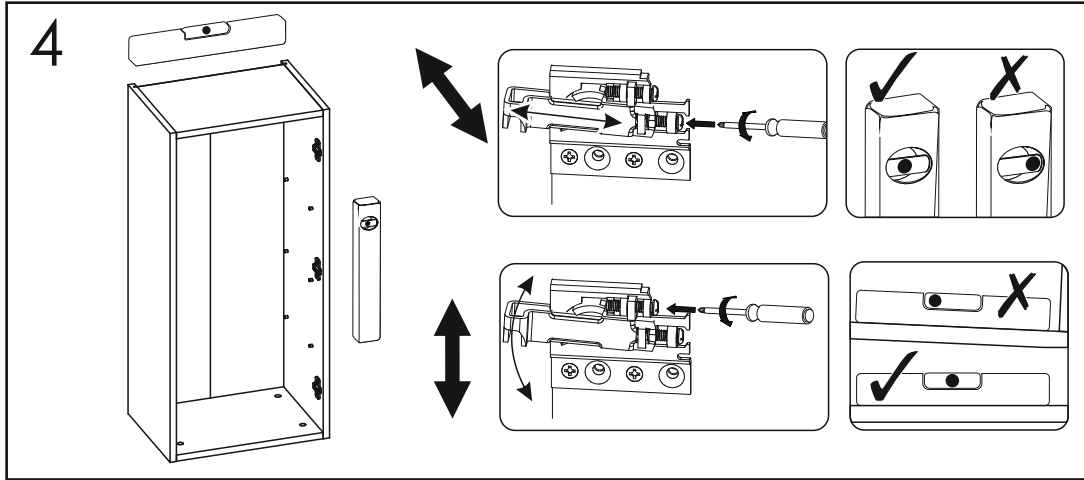
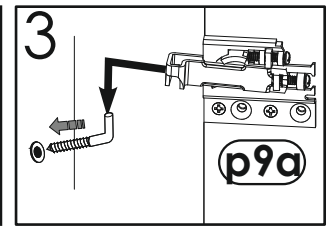
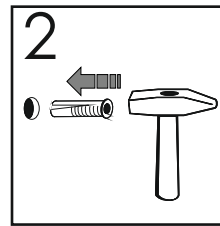
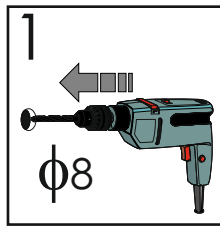


4B
▼

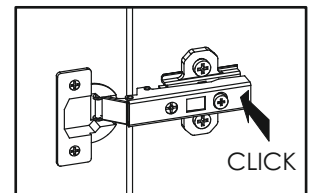
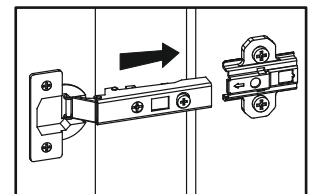
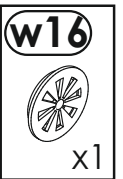
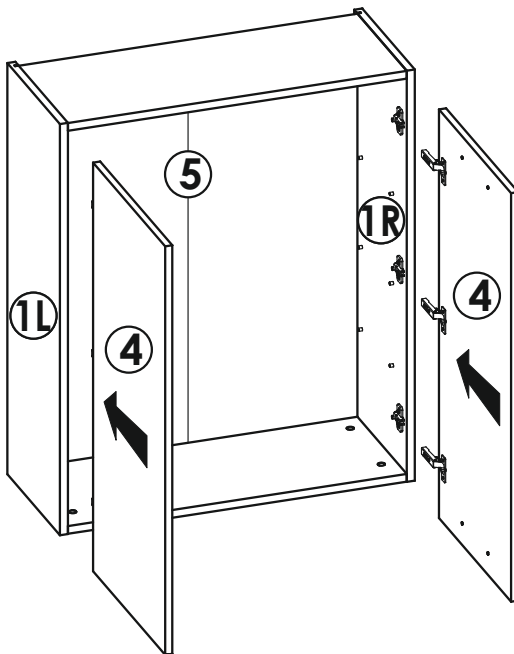
x2



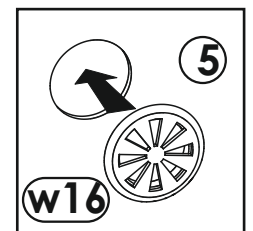
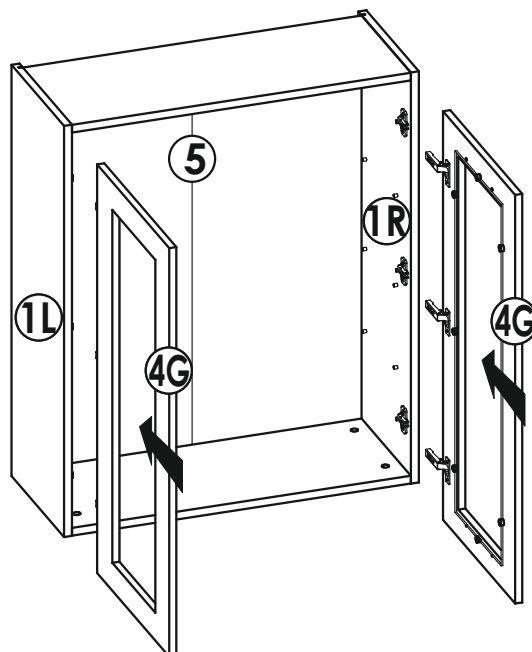
5
▼



5A
▼

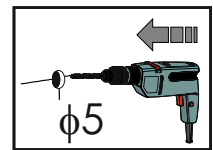
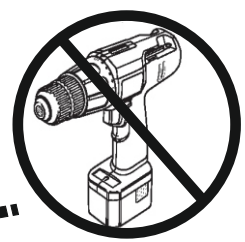
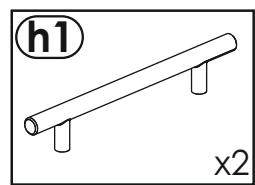
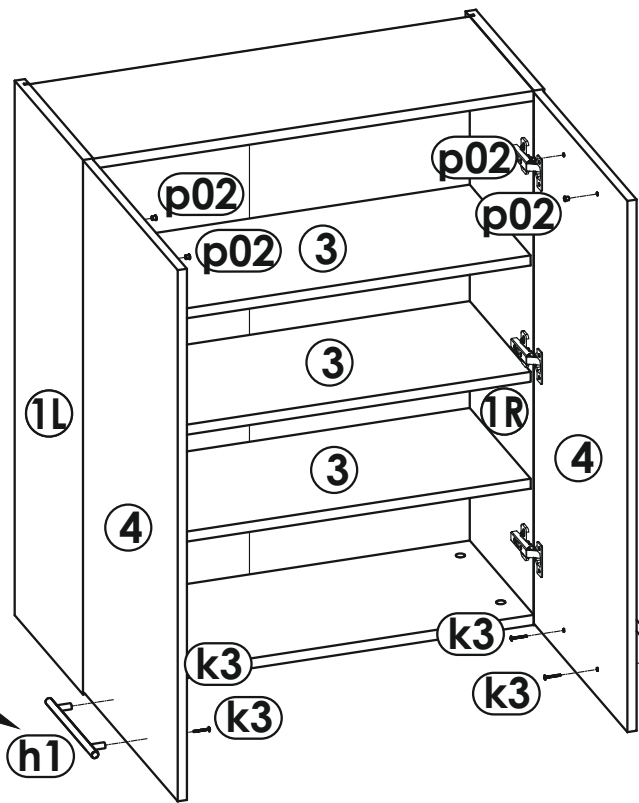
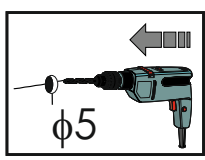
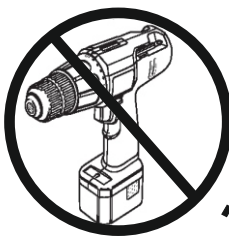


5B
▼



6
▼

6A
▼



6B
▼

