

D- Montageanleitung

GB- Assembly instructions

F- Instructions de montage

PL- Instrukcja montażu

RU- Инструкция по монтажу

NL- Montagehandleiding

TR- Montaj talimatı

RO- Instrucțiuni de montaj

IT- Istruzioni per il montaggio

SK- Návod na montáž

CZ- Návod k montáži

HU- Szerelési útmutató

BG- Ръководство за монтаж

P- Instruções de montagem

ES- Instrucciones de montaje

SRB- Uputstvo za montažu

SLO- Navodila za vgradnjo

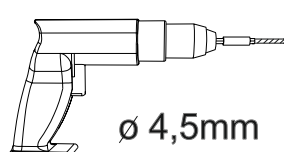
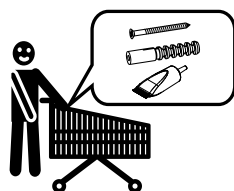
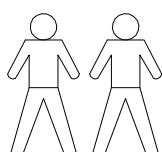
HR- Upute za montažu

LT- Montavimo instrukcija

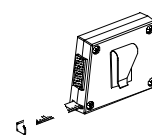
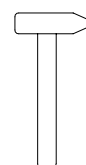
LV- Montāžas instrukcija

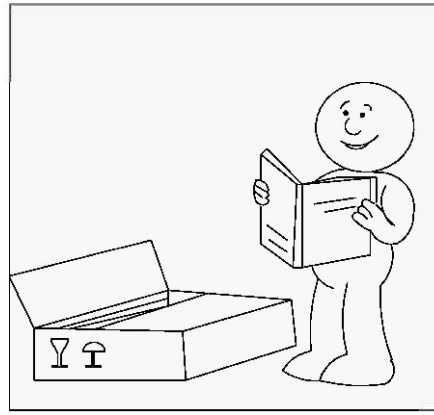
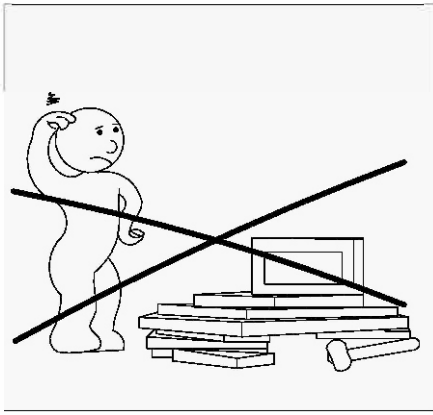
EST- Montaažijuhend

S- Monteringsanvisning

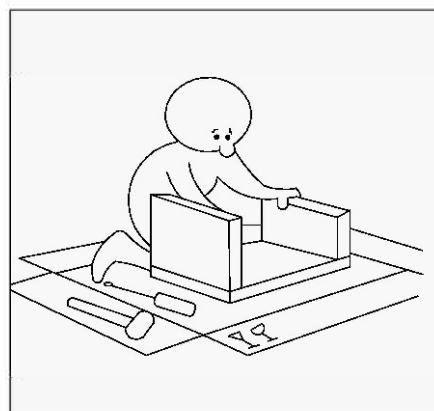
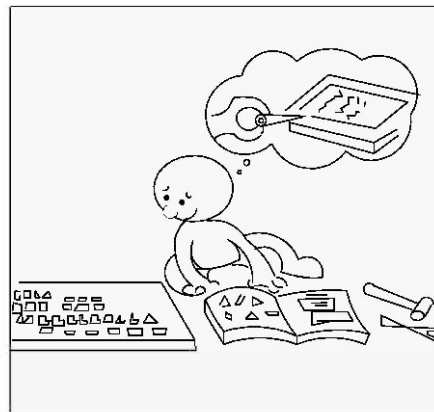
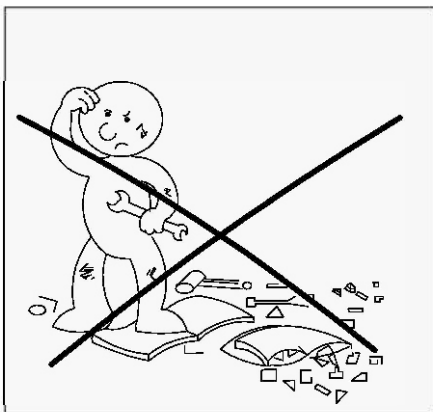
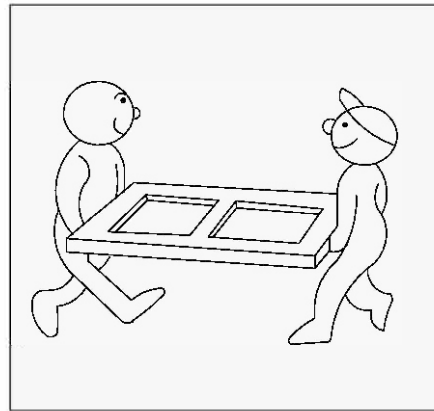
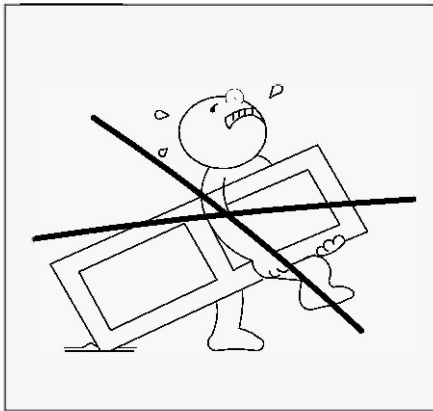
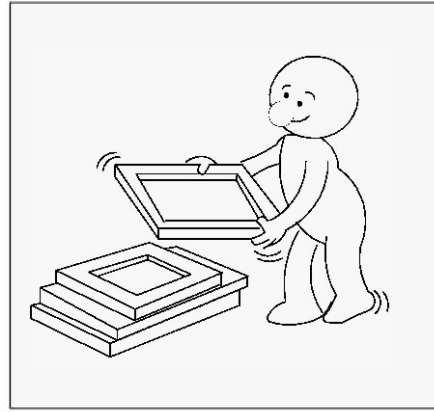
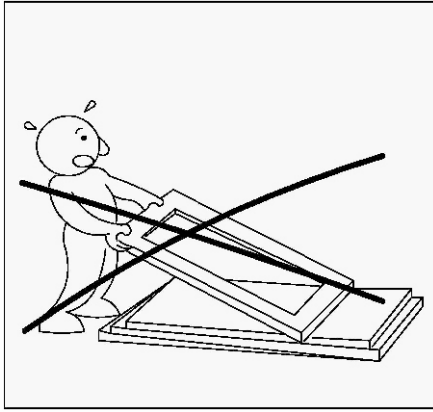


Ø 4,5mm



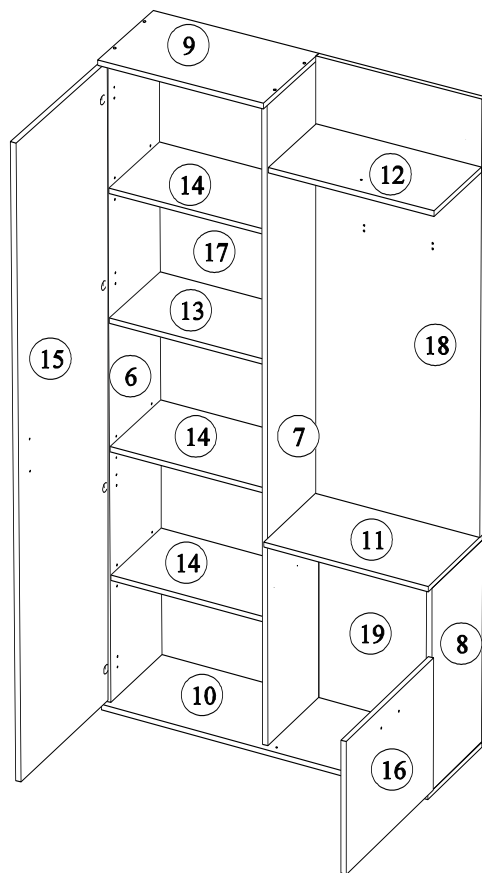


!

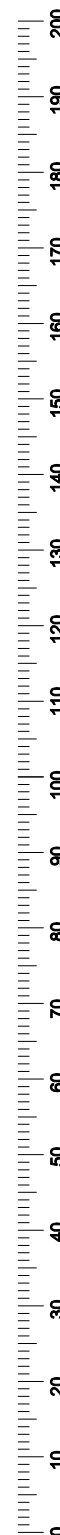
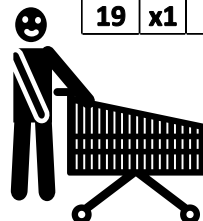
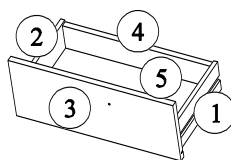


Servicekarte/ Сервисна карта/ Carte service/ Servisní karta/ Service card/ Tarjeta de servicio/ Servisna kartica/ Teeninduskaart/ Szervizlevél/ Servis karti/ Scheda di servizio/ Techninês priežiūros kortelė/ Servisa karte/ Servicekaart/ Servisna kartica/ Cartão de serviços/ Karta serwisowa/ Carte de service/ Сервис-карта/ Servicekort/ Servisna kartica/ Servisná karta

JAKOB 01

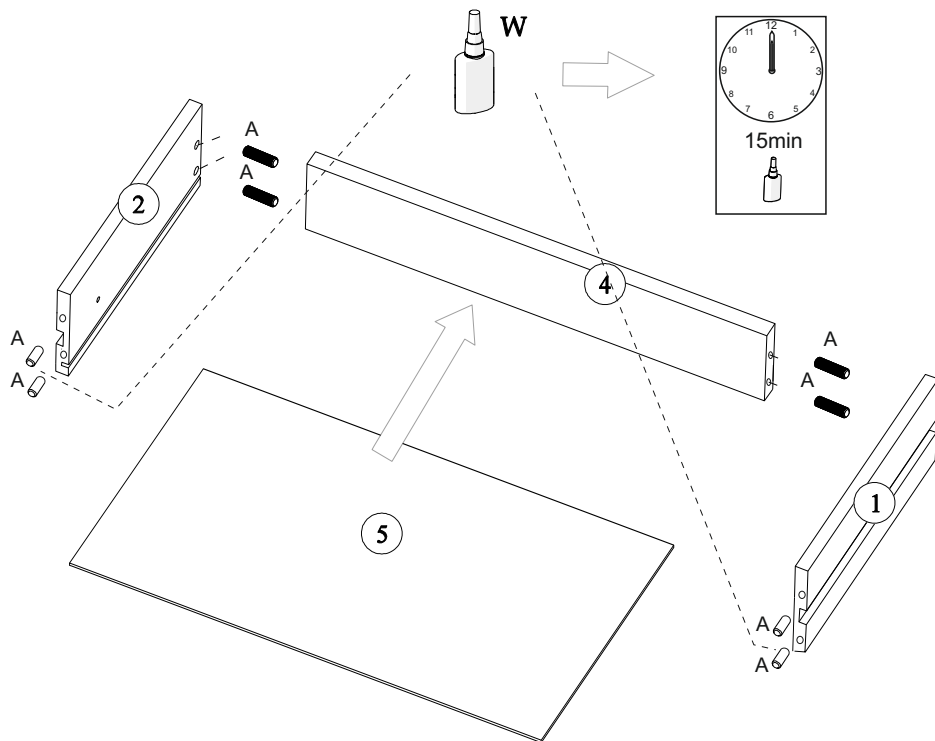
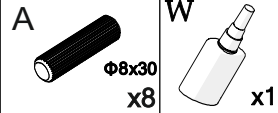


1	x1	250x100x16
2	x1	250x100x16
3	x1	200x479x16
4	x1	425x85x16
5	x1	443x260x3
6	x1	1913x280x16
7	x1	1913x280x16
8	x1	611x280x16
9	x1	485x300x16
10	x1	967x300x16
11	x1	482x300x16
12	x1	481x260x16
13	x1	452x275x16
14	x3	452x275x16
15	x1	1905x479x16
16	x1	479x400x16
17	x1	1940x475x3
18	x1	1300x482x16
19	x1	638x485x3

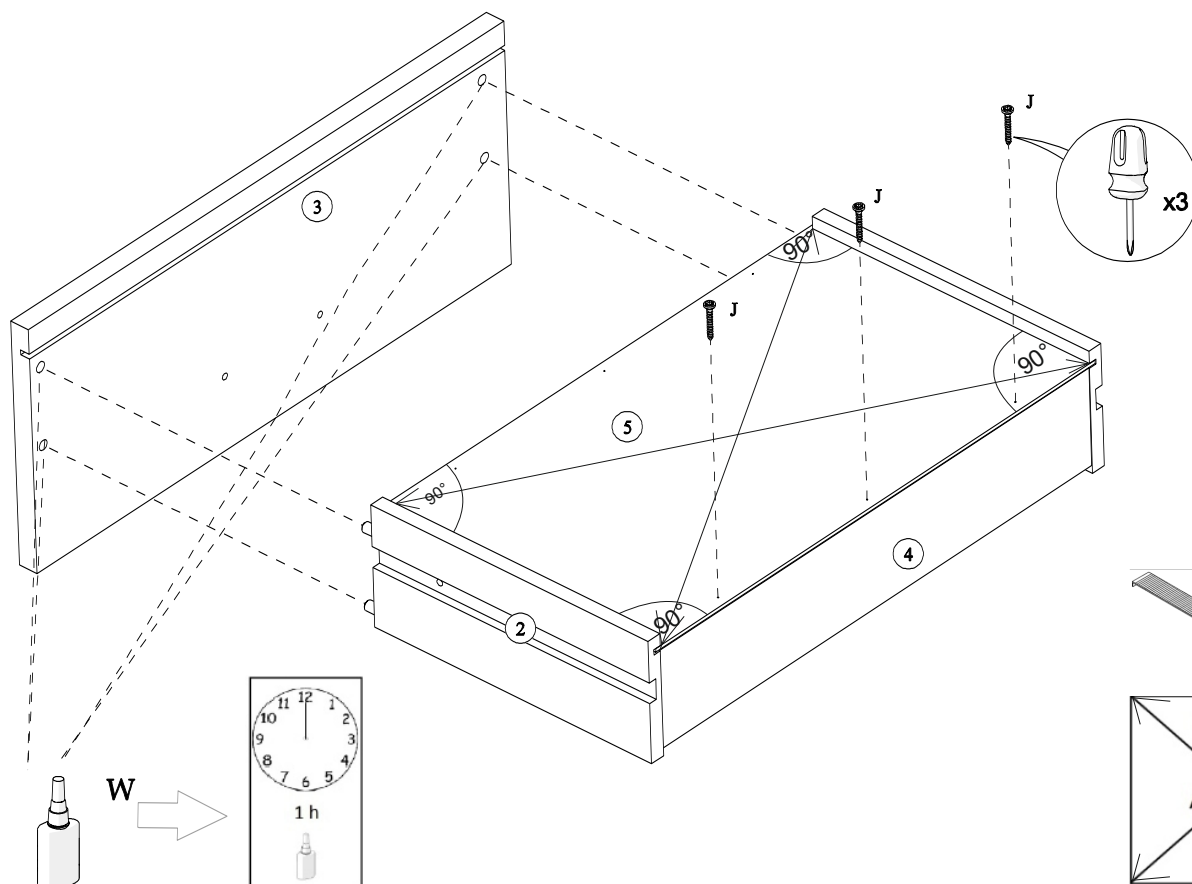
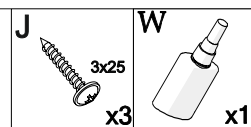


A Φ8x30 x30	B 7x50 x16	C x6	D x6	E x13
FG F G x6	W x1	H 4x16 x2	I 2x20 x29	J 3x25 x3
K x5	L 3,5x20 x5	Y Euro x20	N x3	O 4x27 x12
P x1	Q x2	R x1	T x1	
U x2	V M4x13 x2	Z x2		

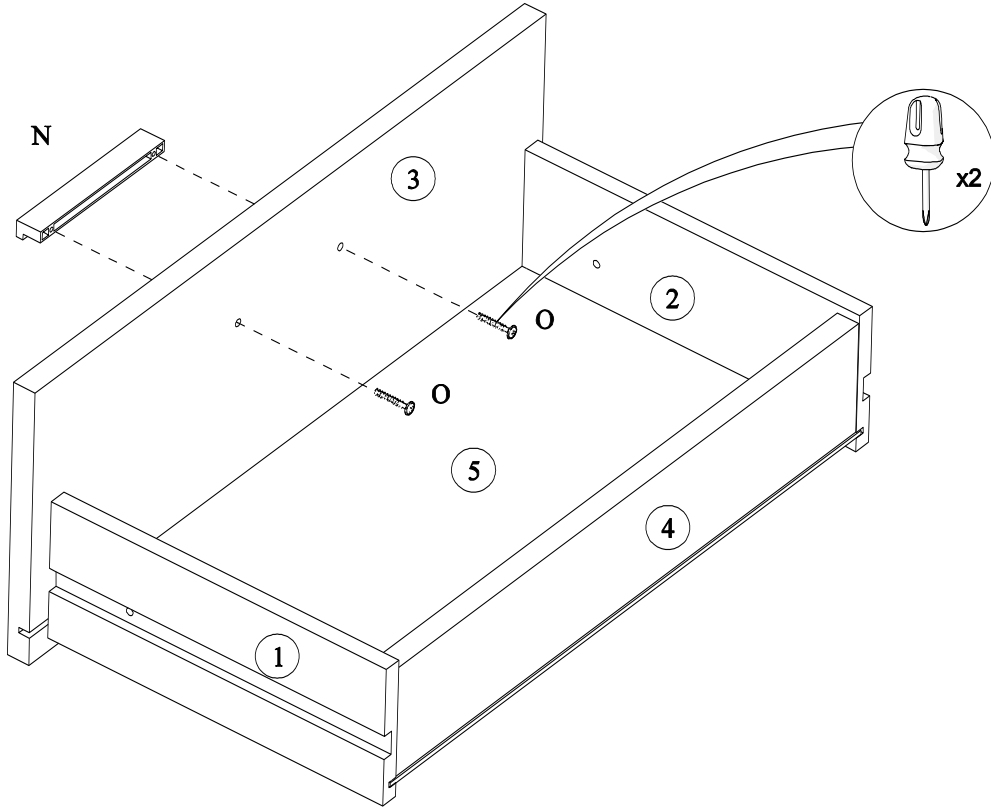
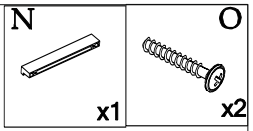
1



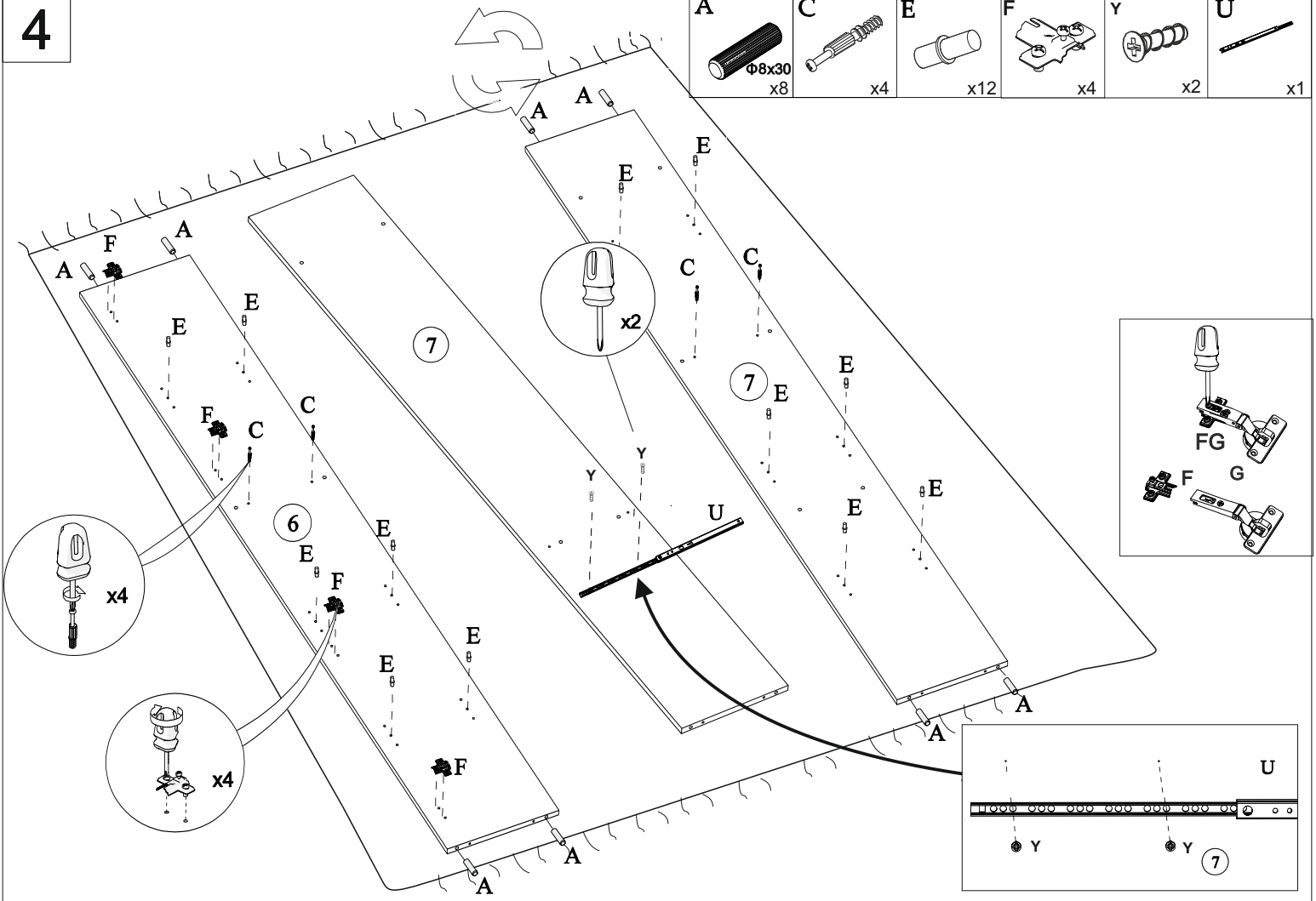
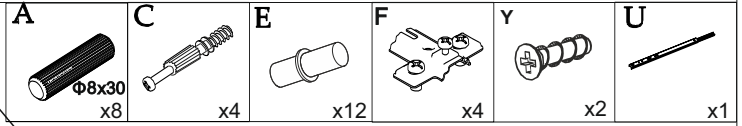
2



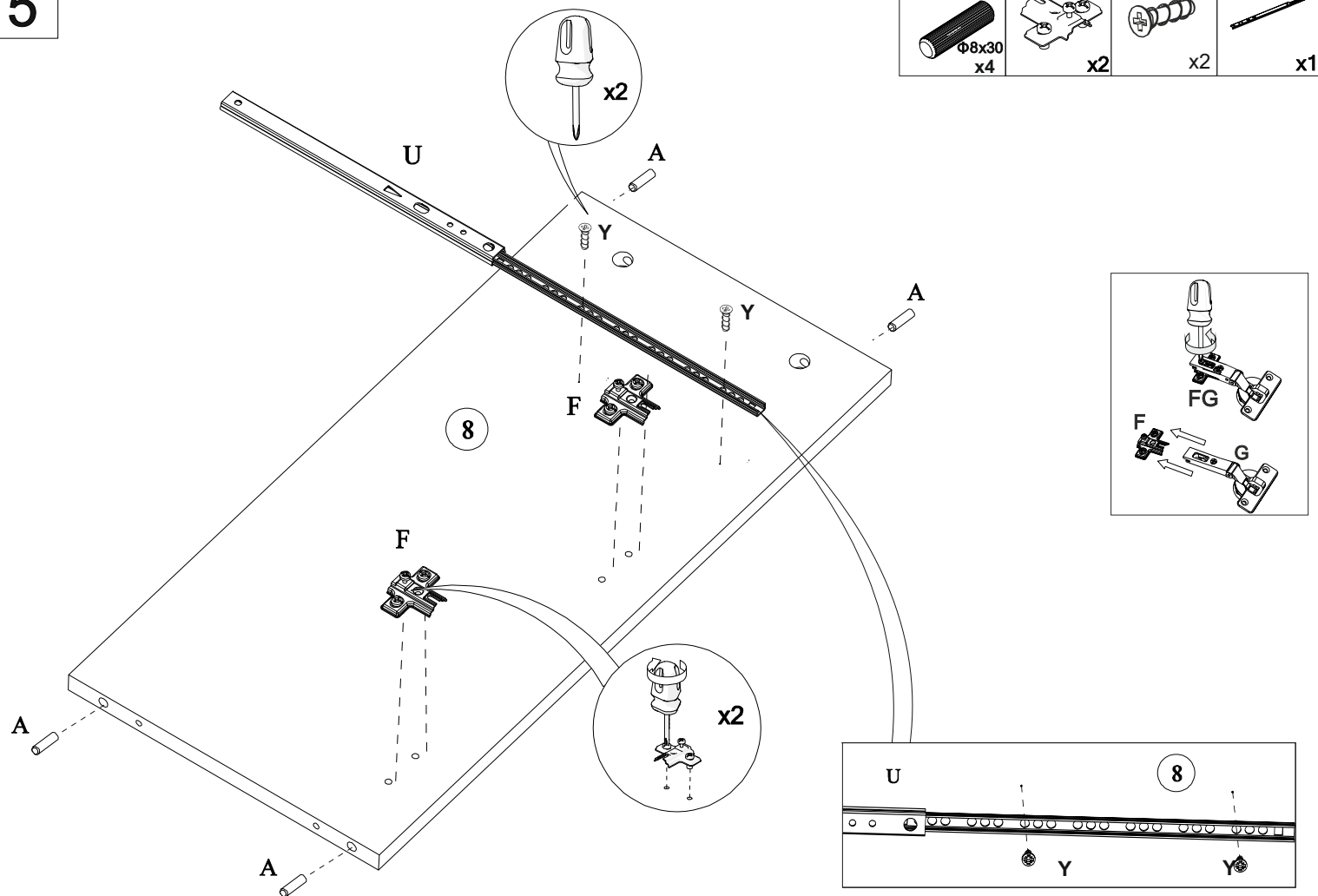
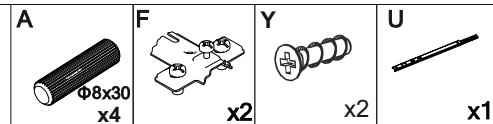
3



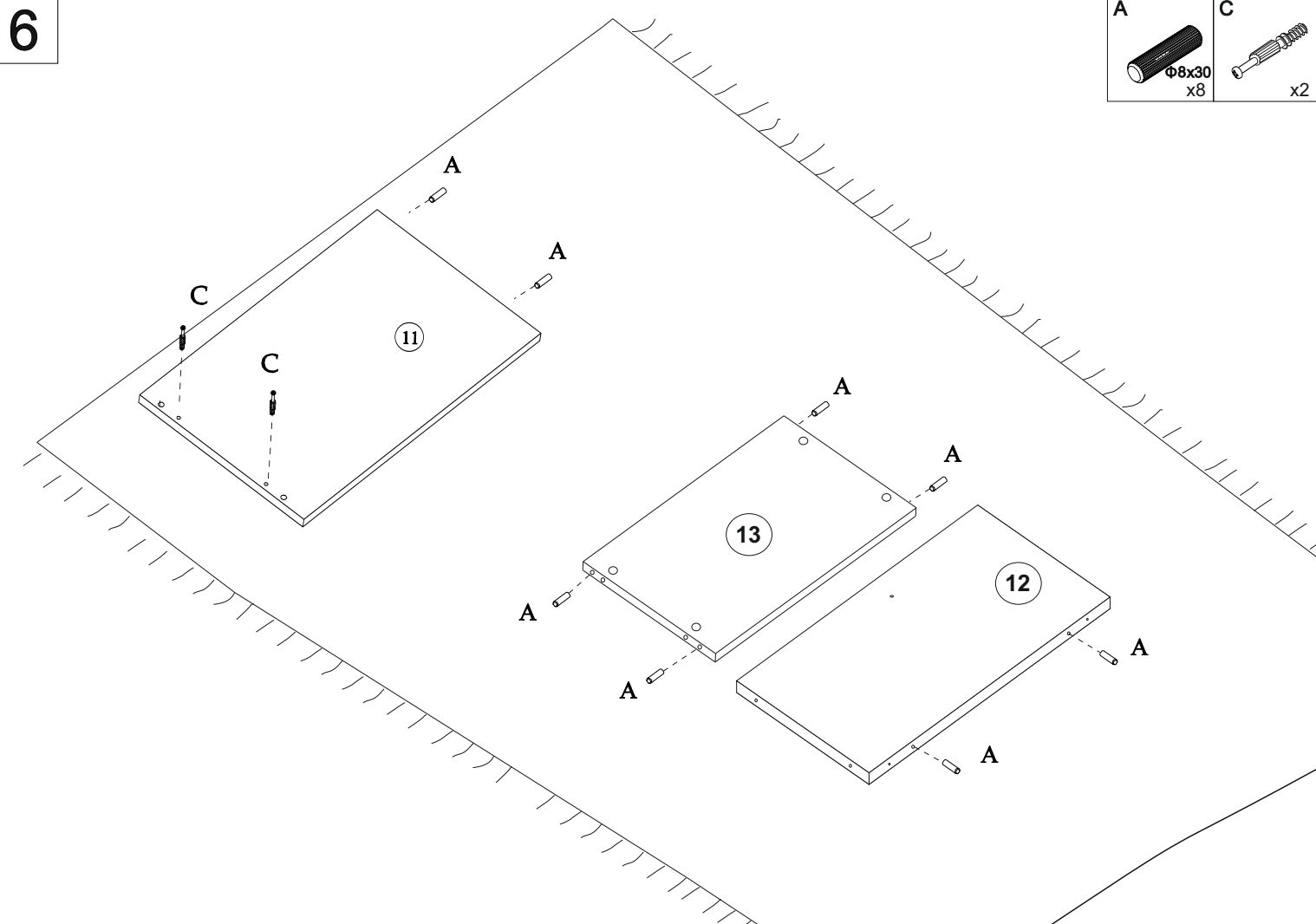
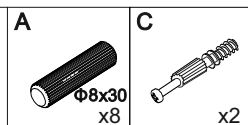
4



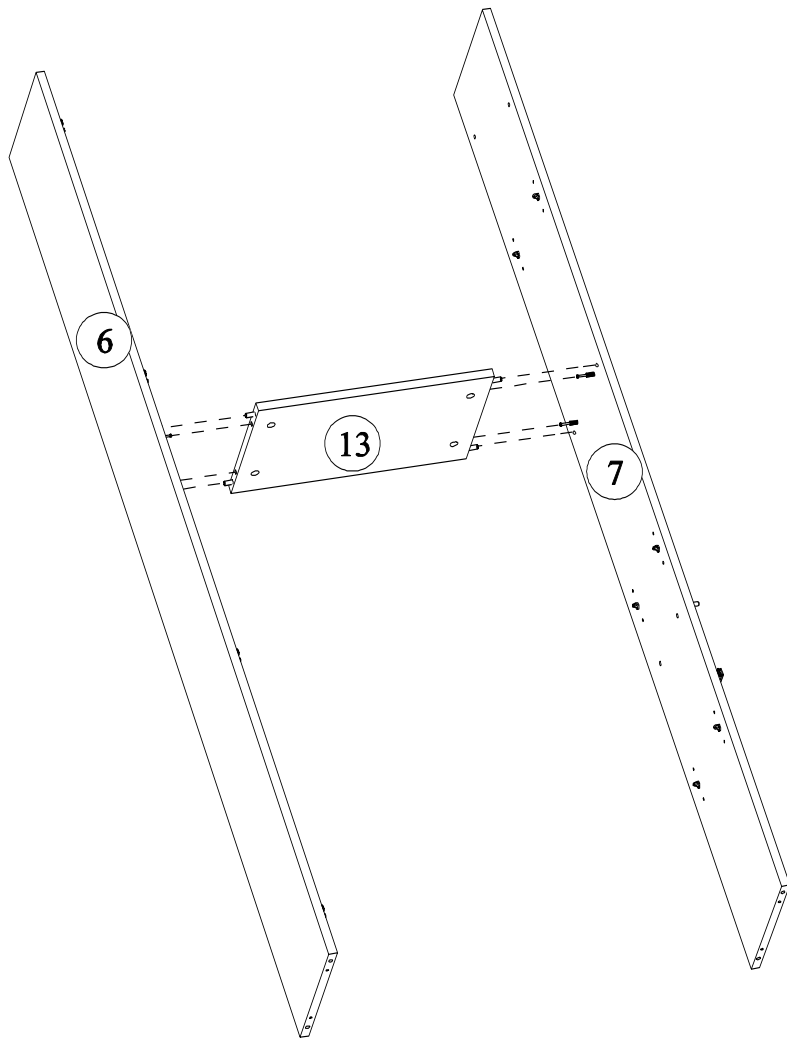
5



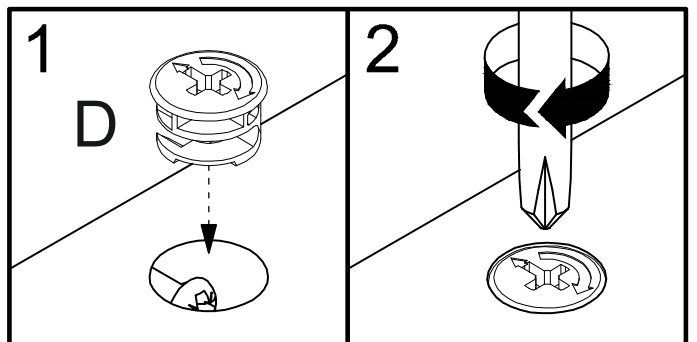
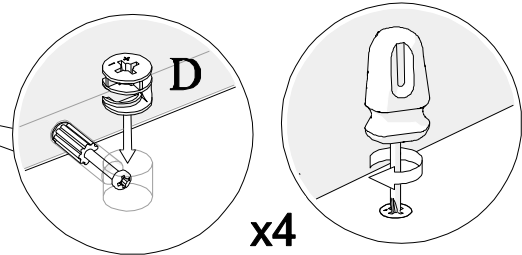
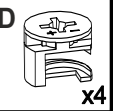
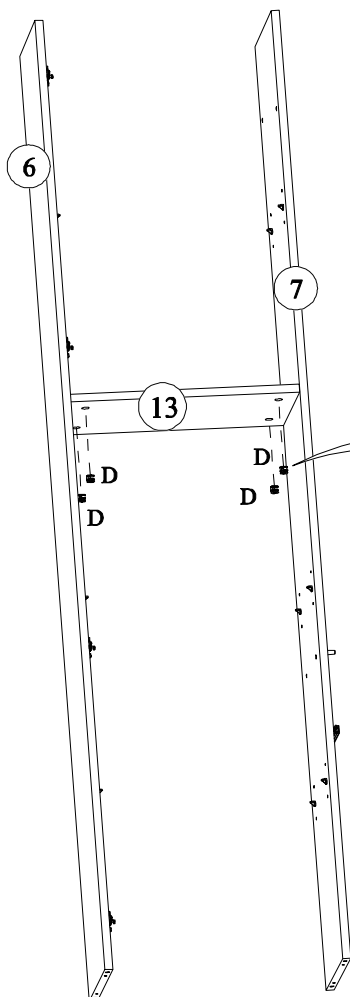
6



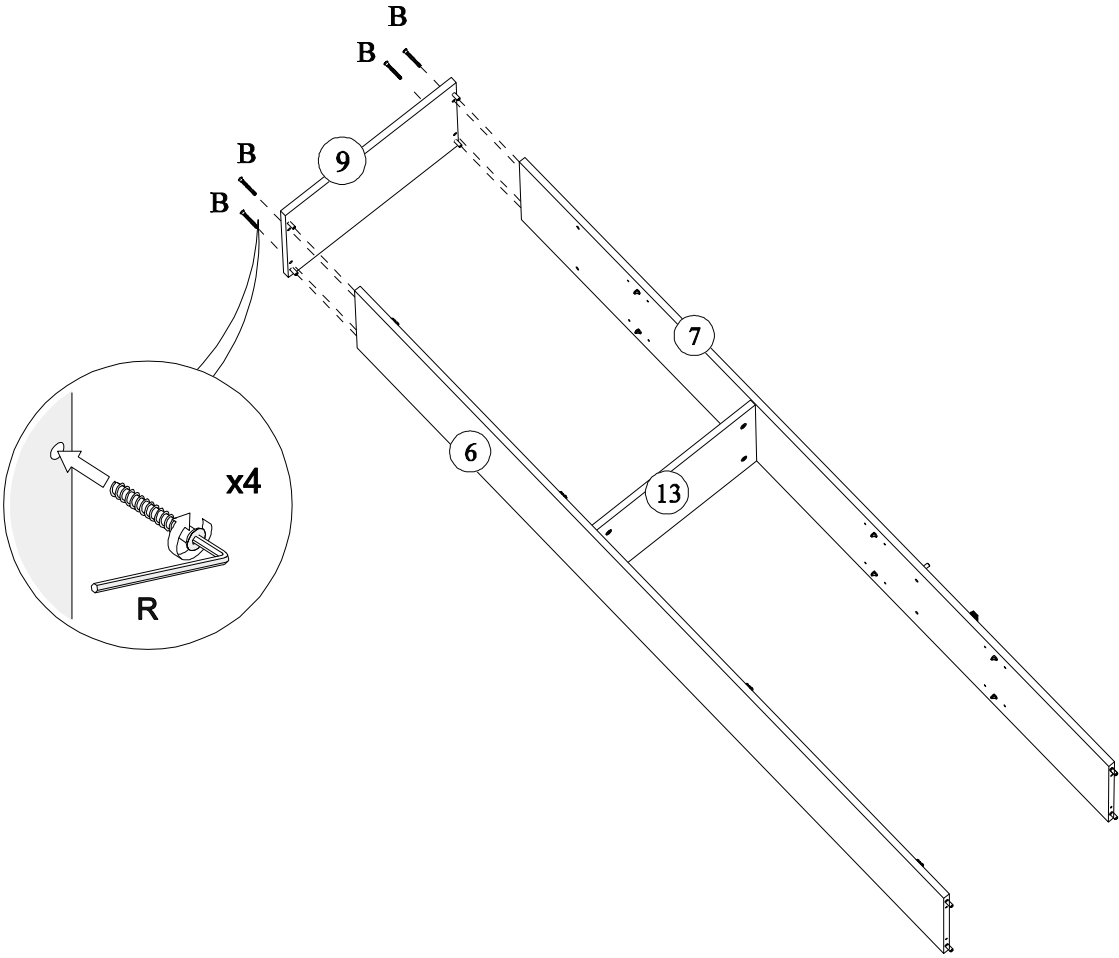
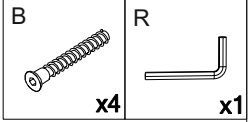
7



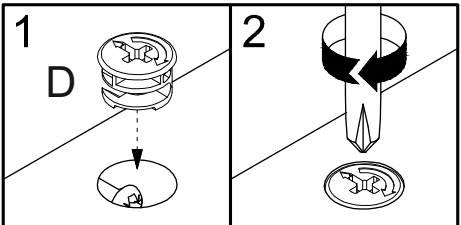
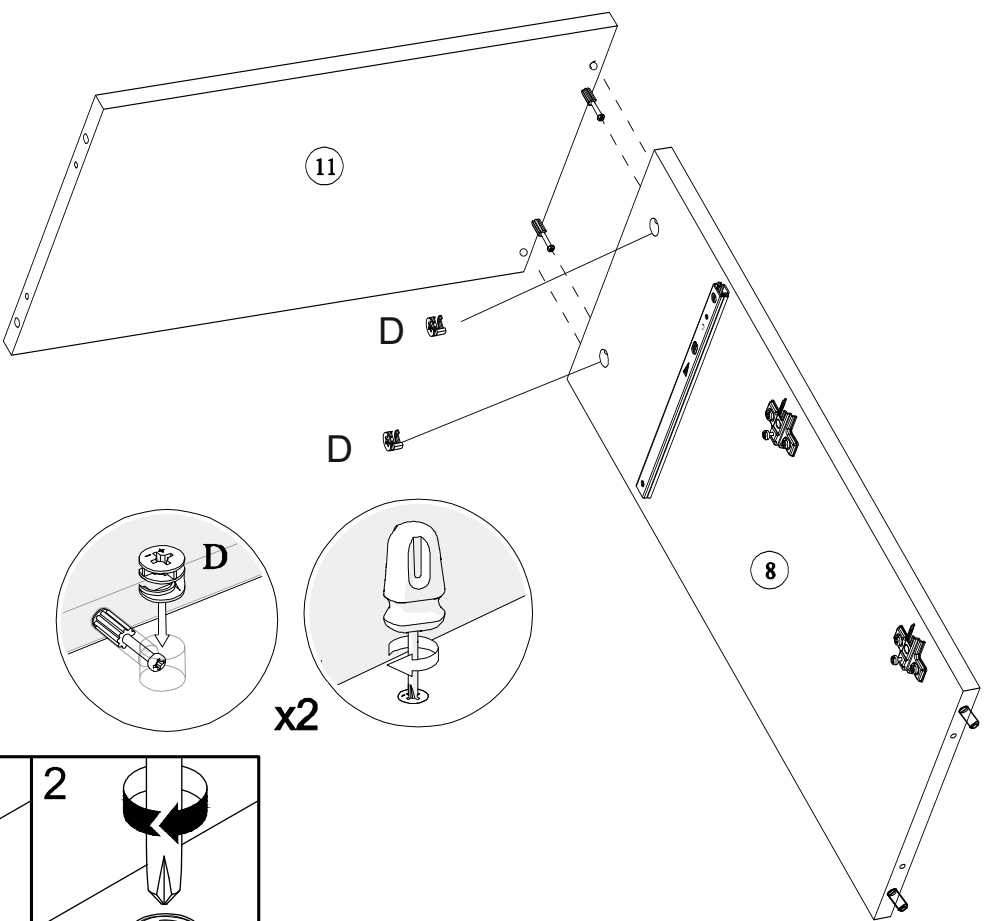
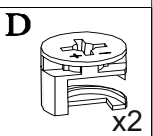
8



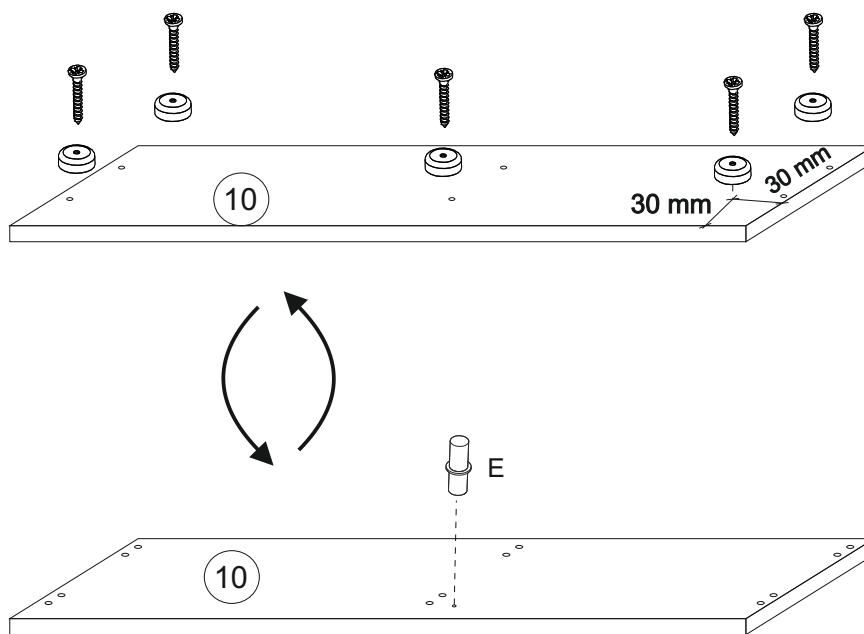
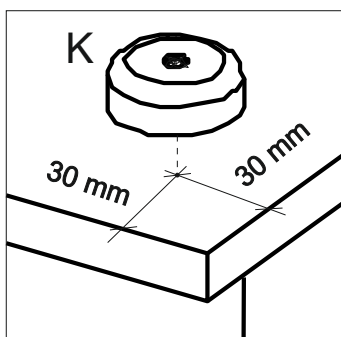
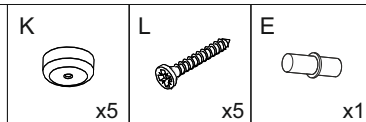
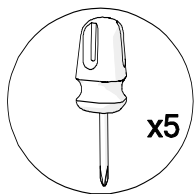
9



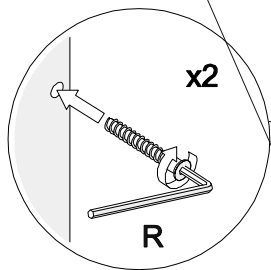
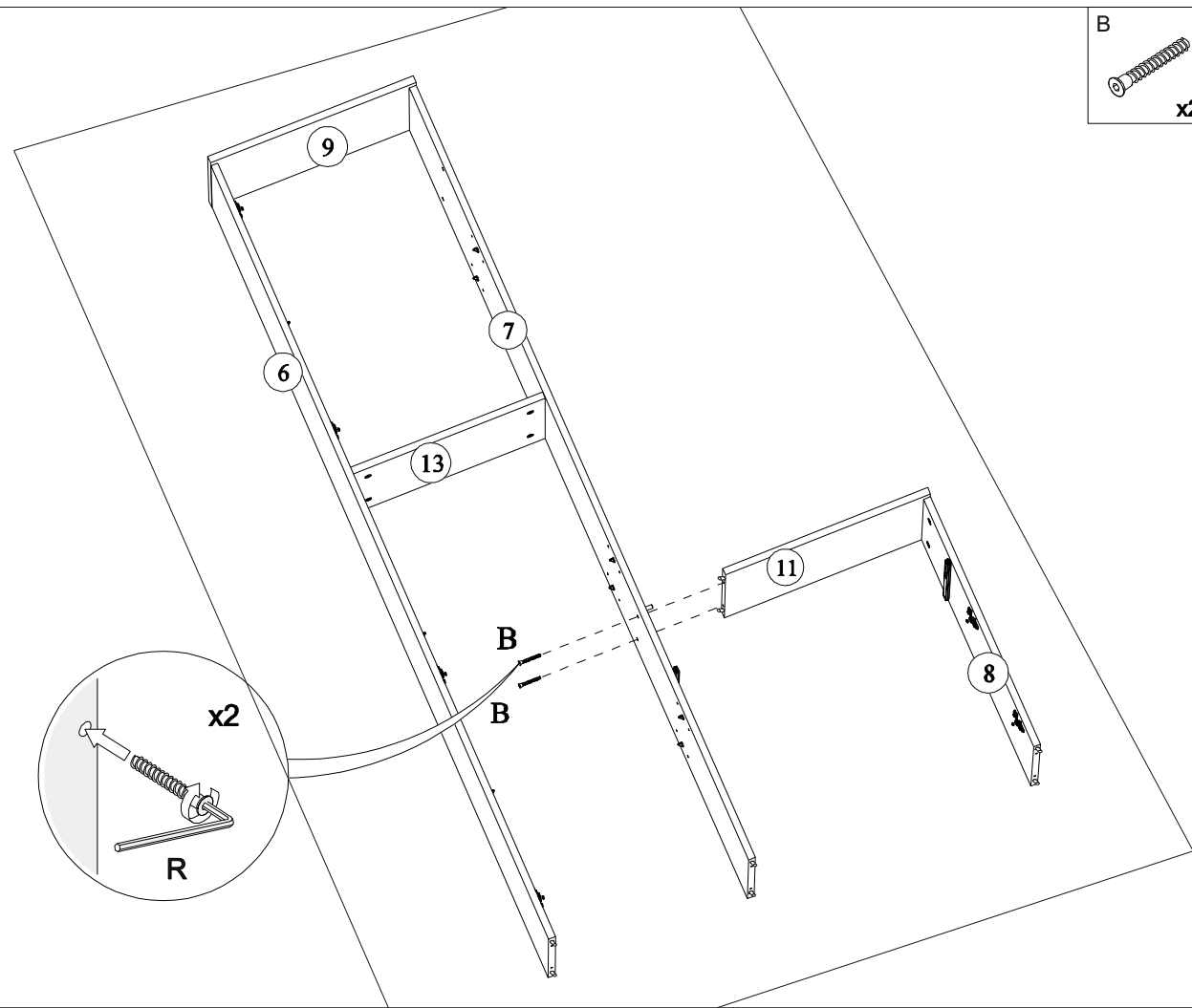
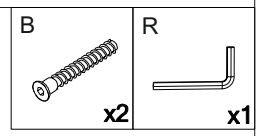
10



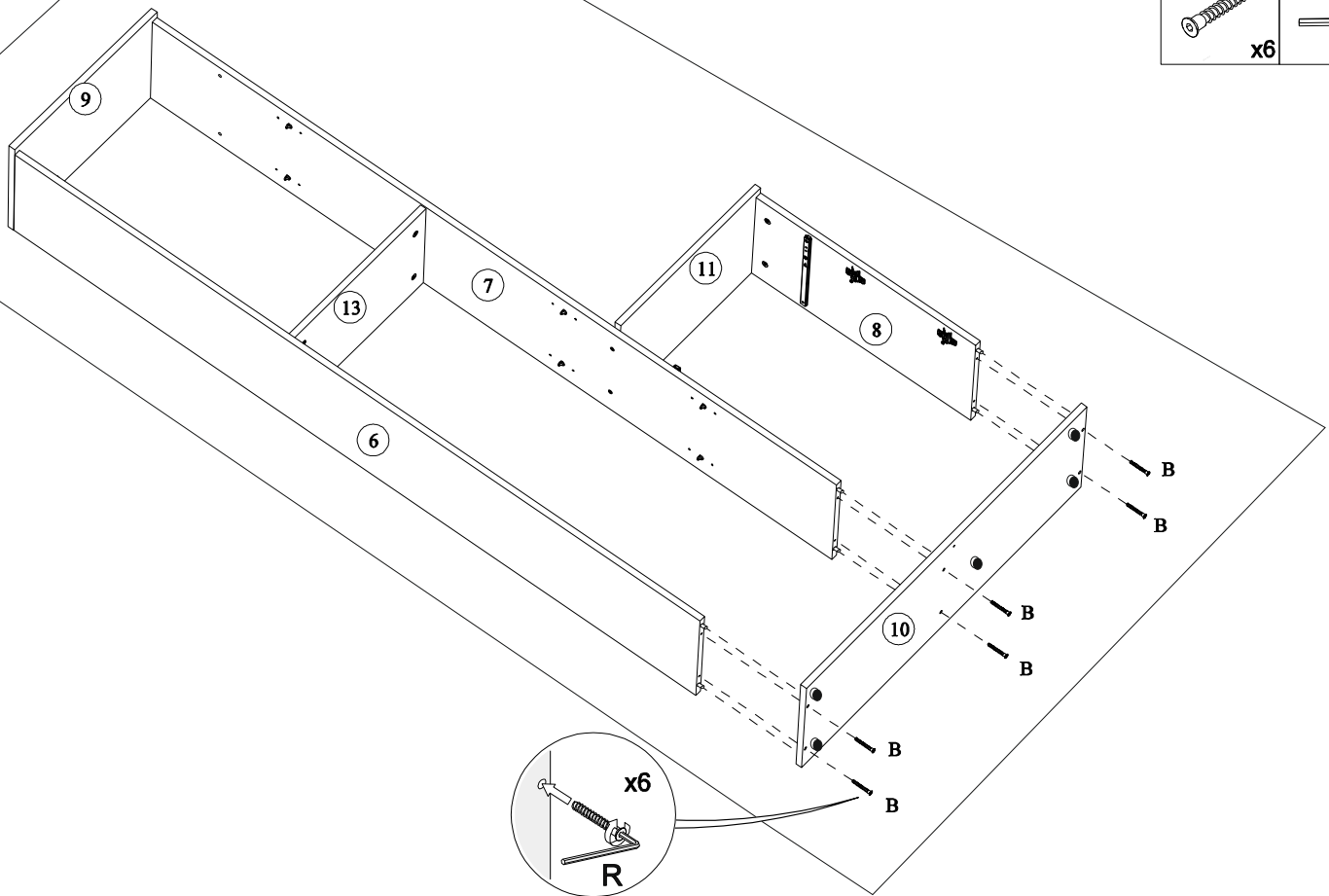
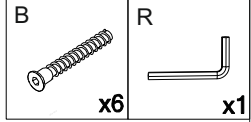
11



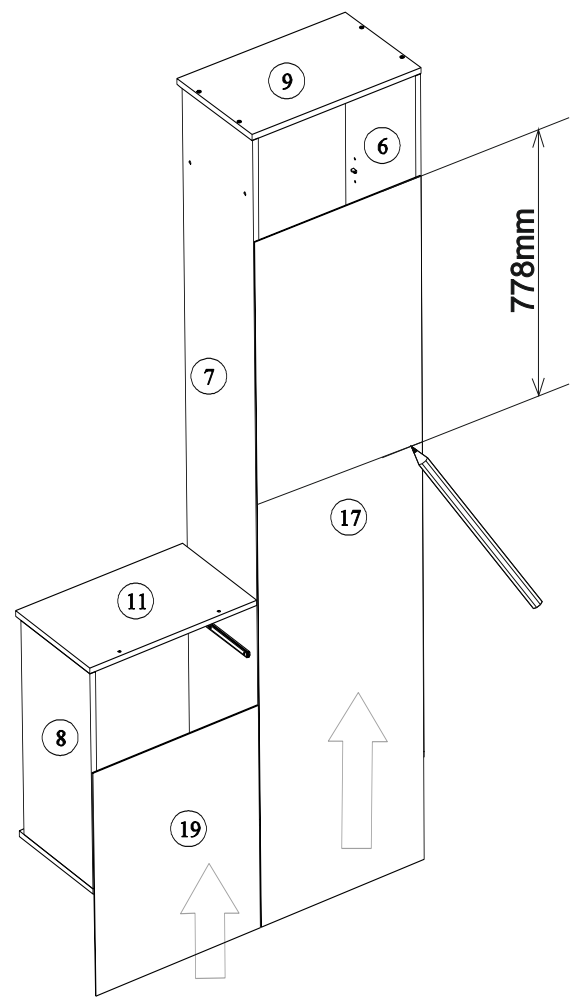
12



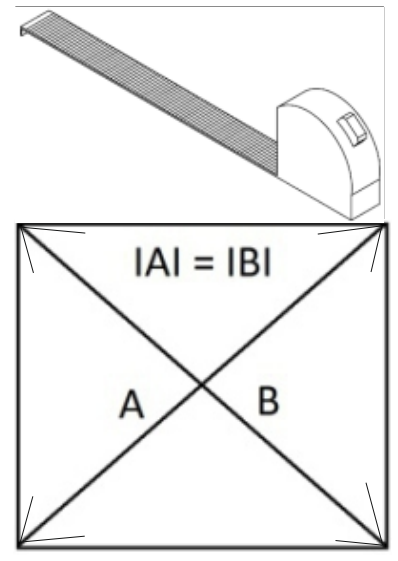
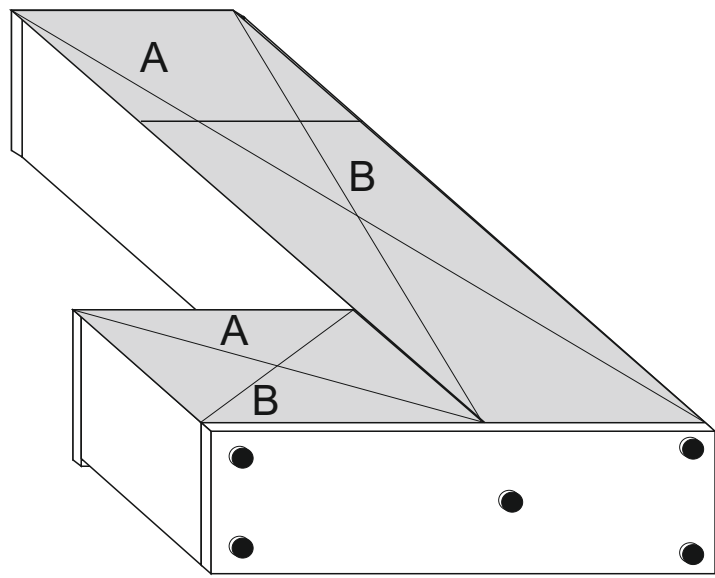
13



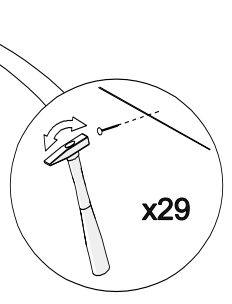
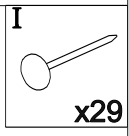
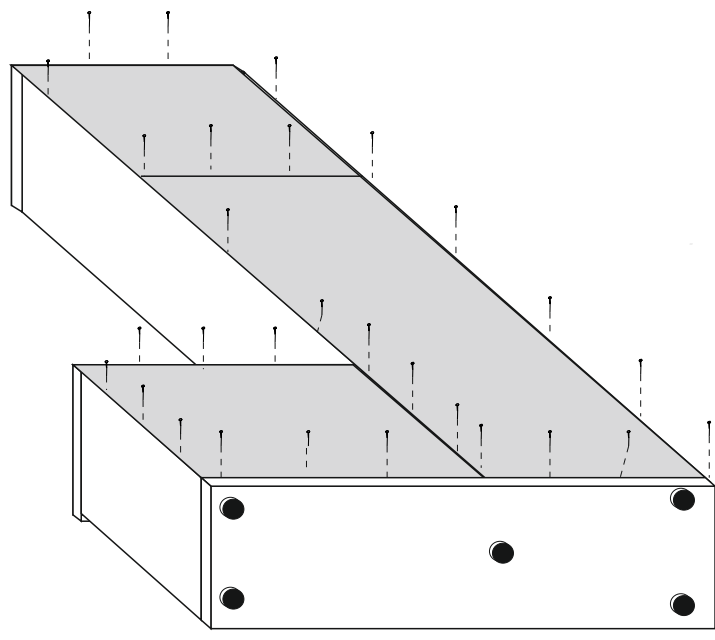
14




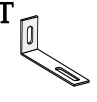
15

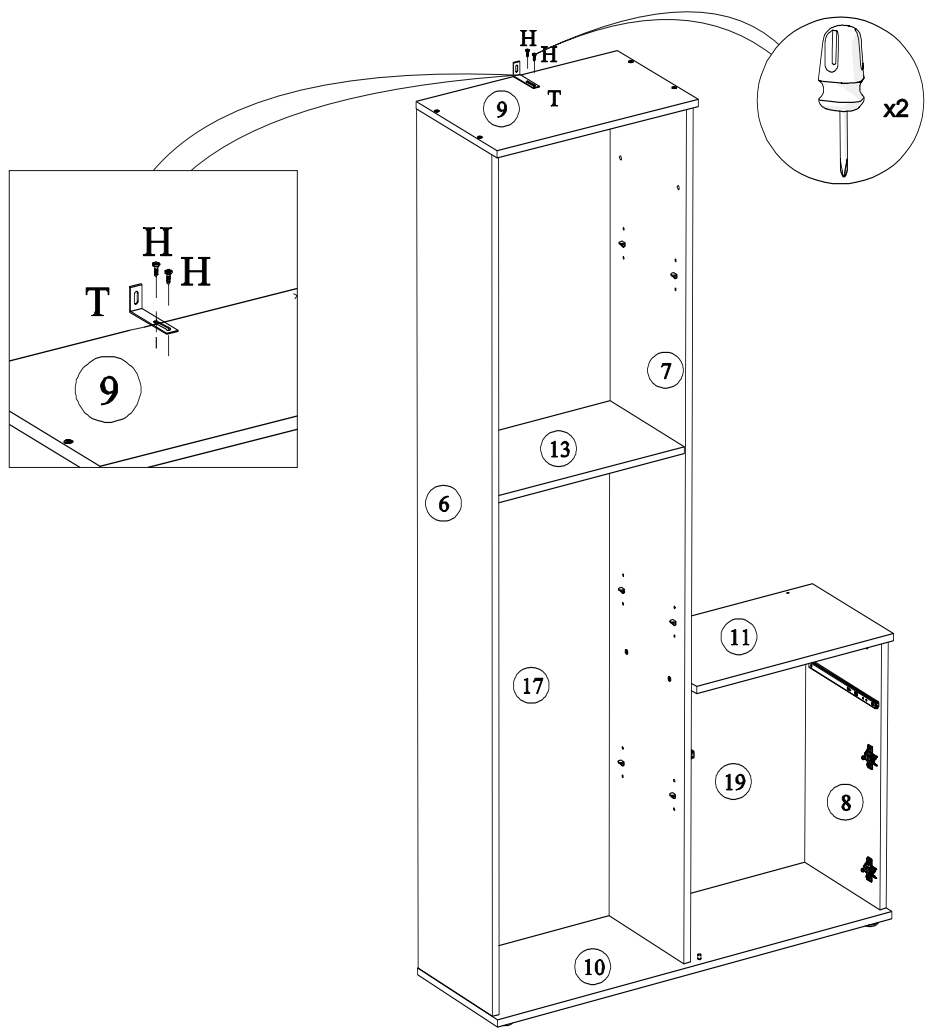


16




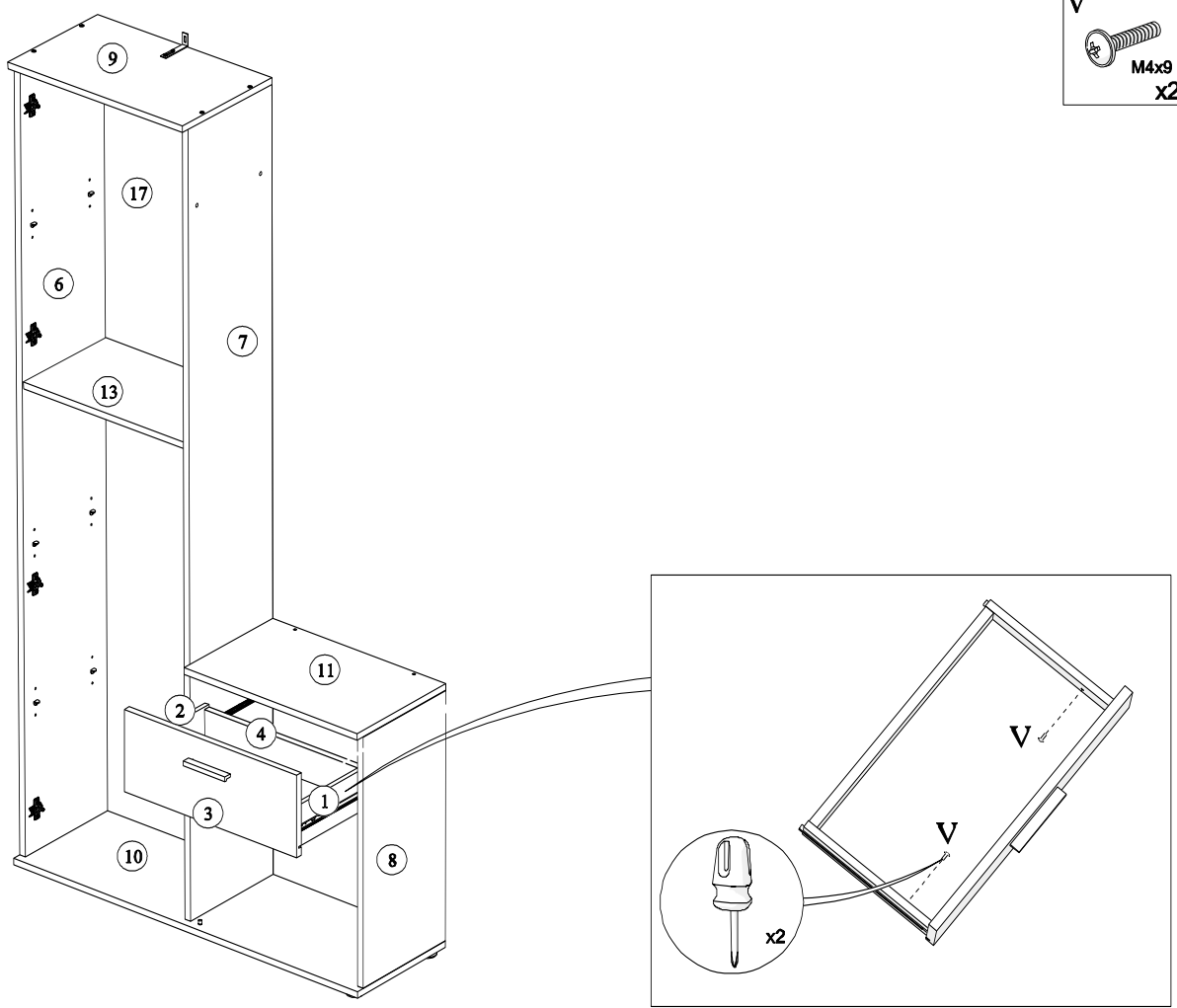
17

H	T
 4x16	
x2	x1

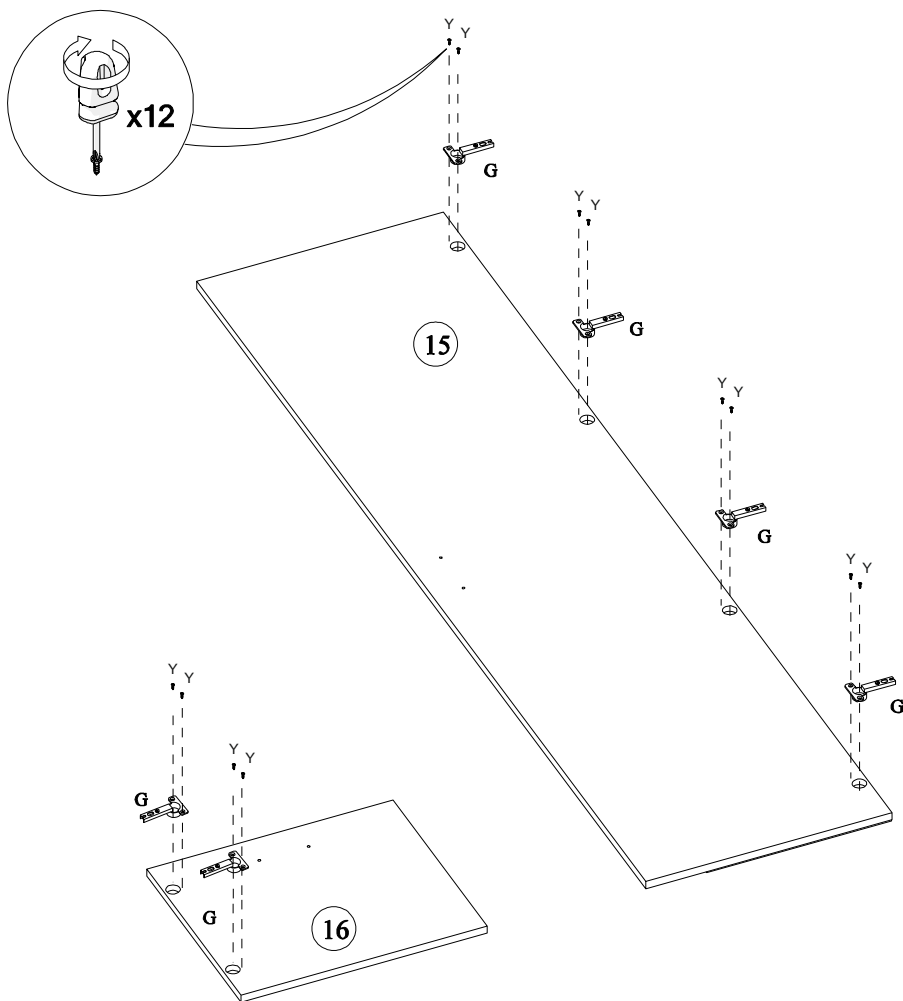


18

V
 M4x9
x2

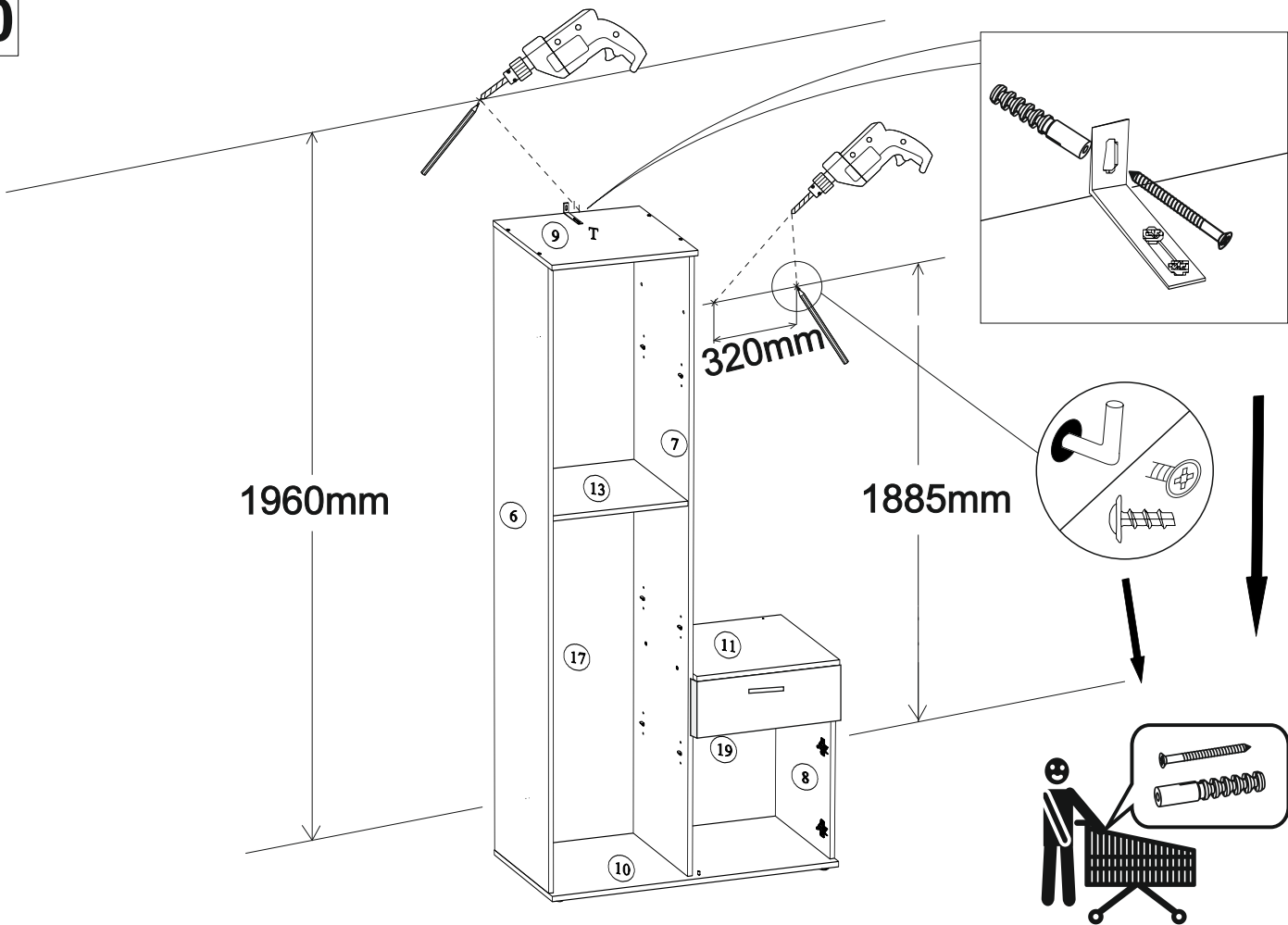


19



G x6 Y x12

20

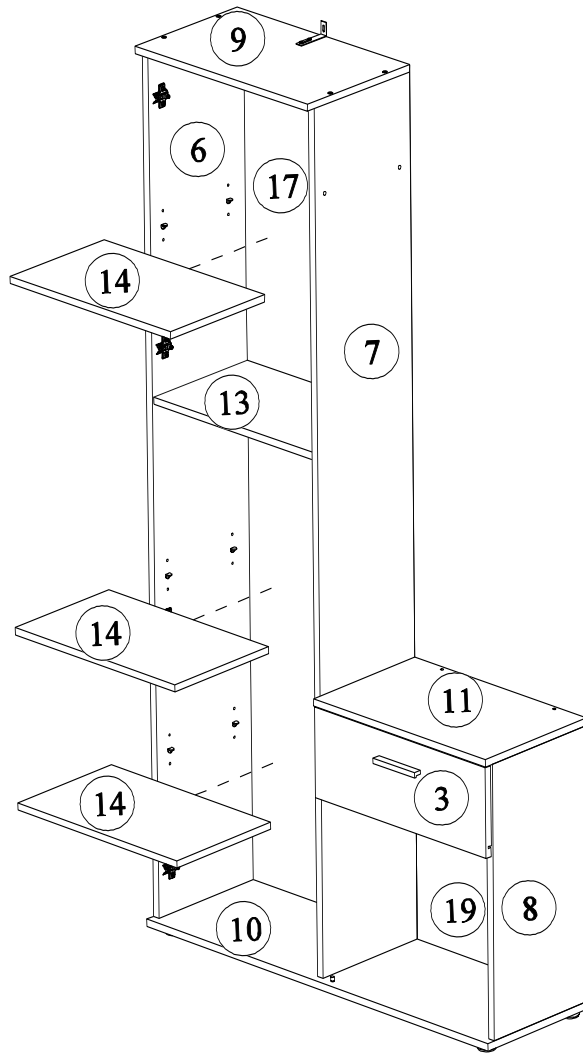


1960mm

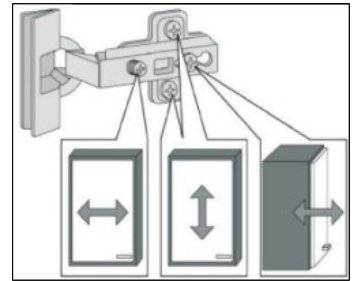
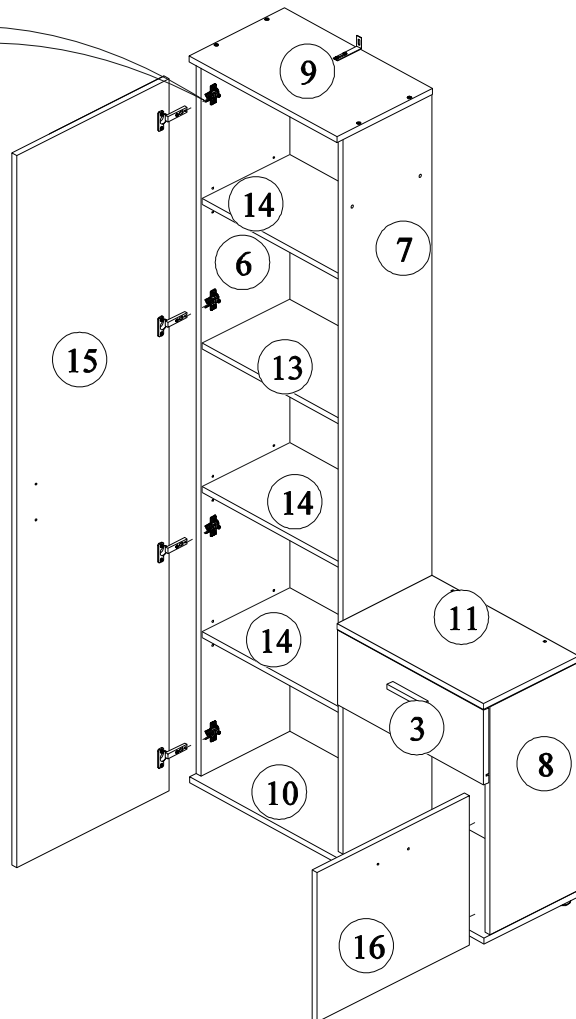
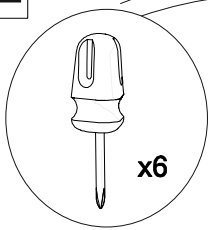
320mm

1885mm

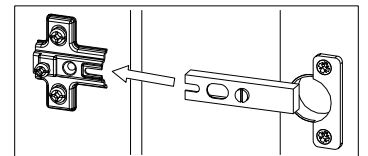
21



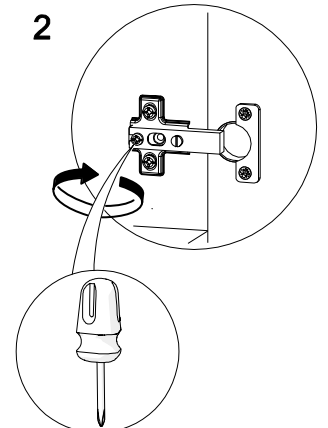
22



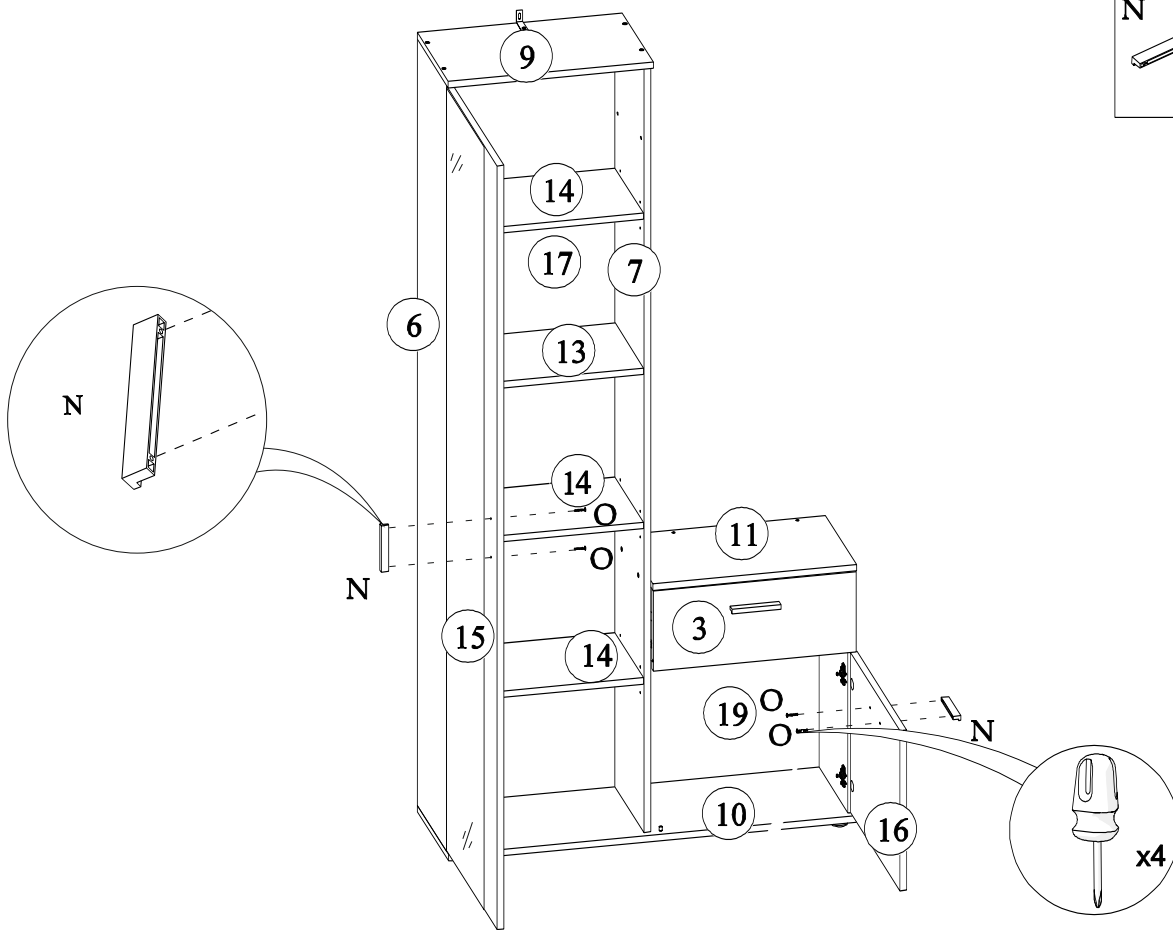
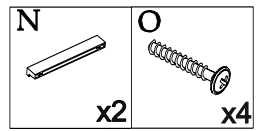
1



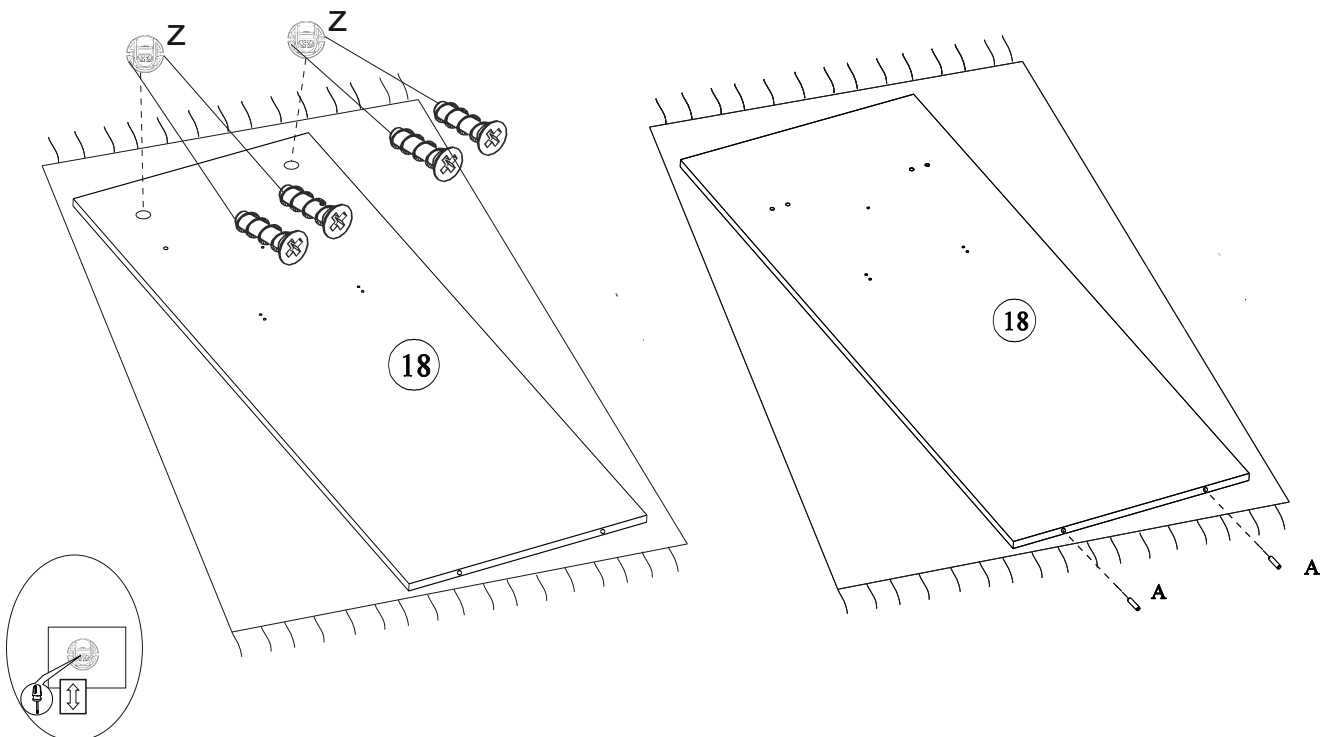
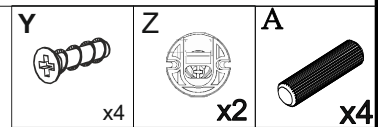
2



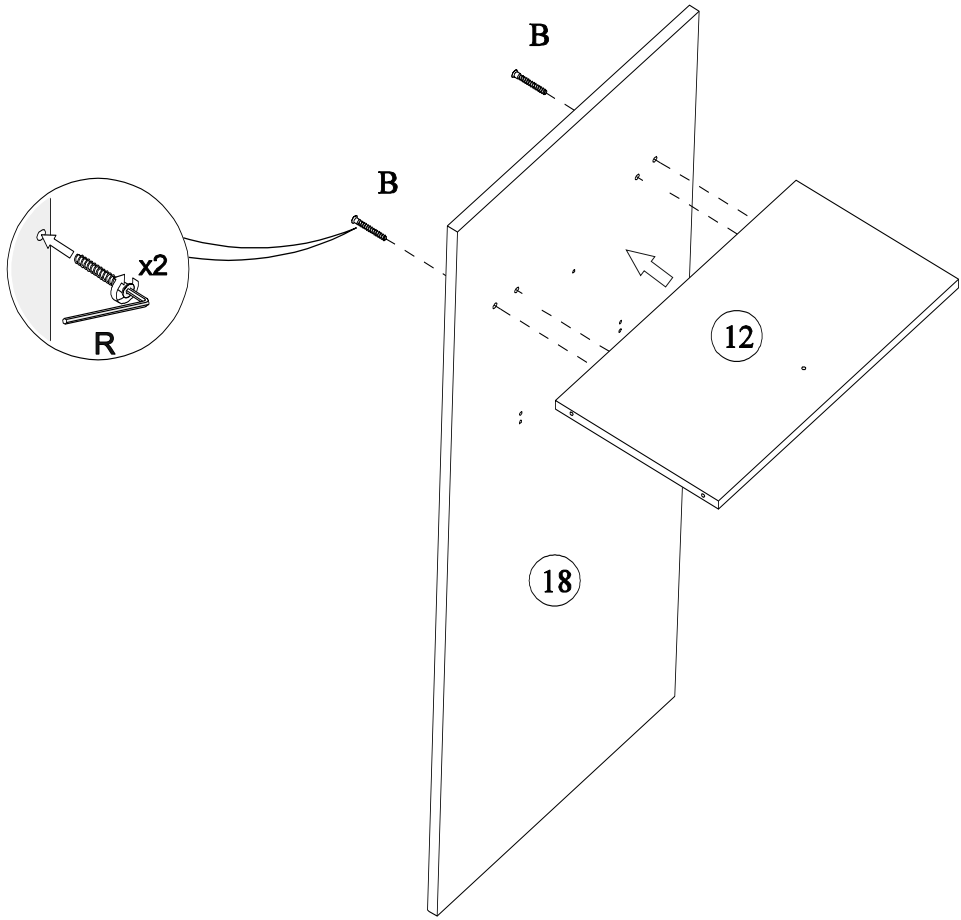
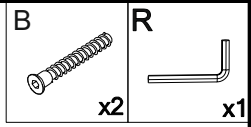
23



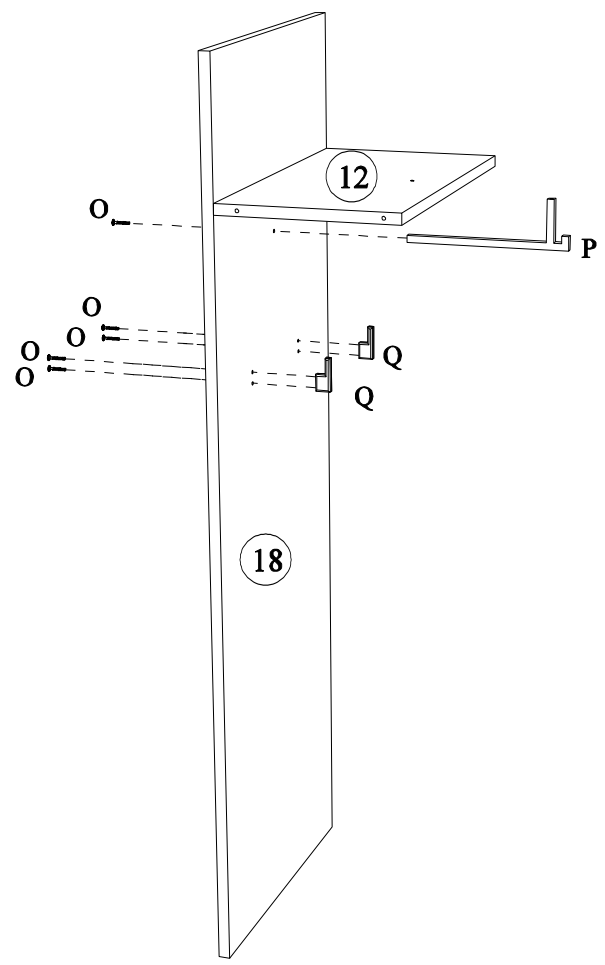
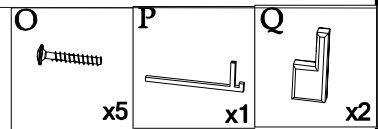
24



25

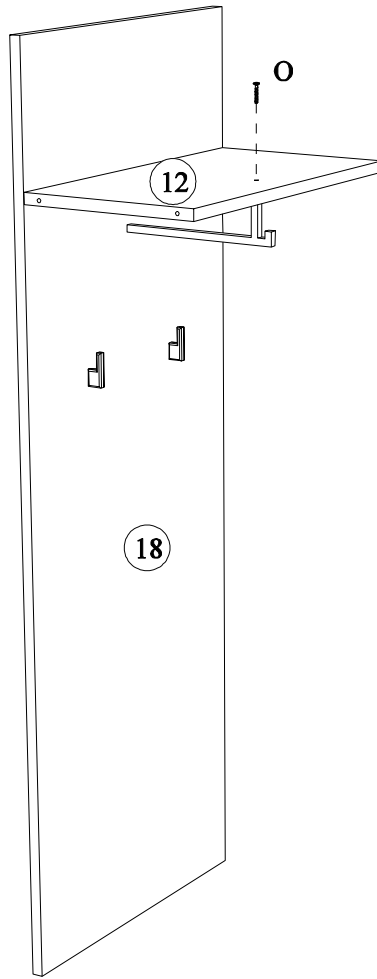


26



27

O
x1



28

