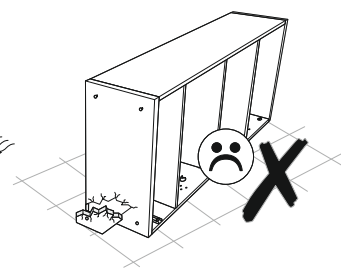
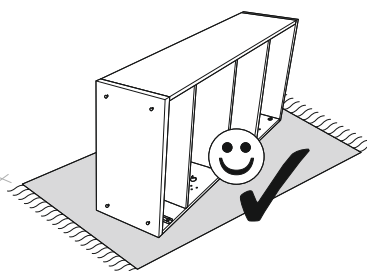
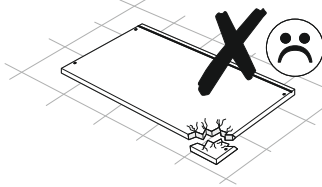
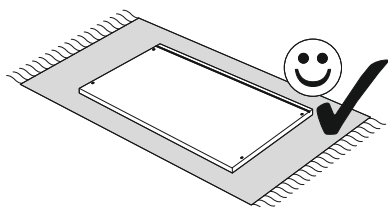
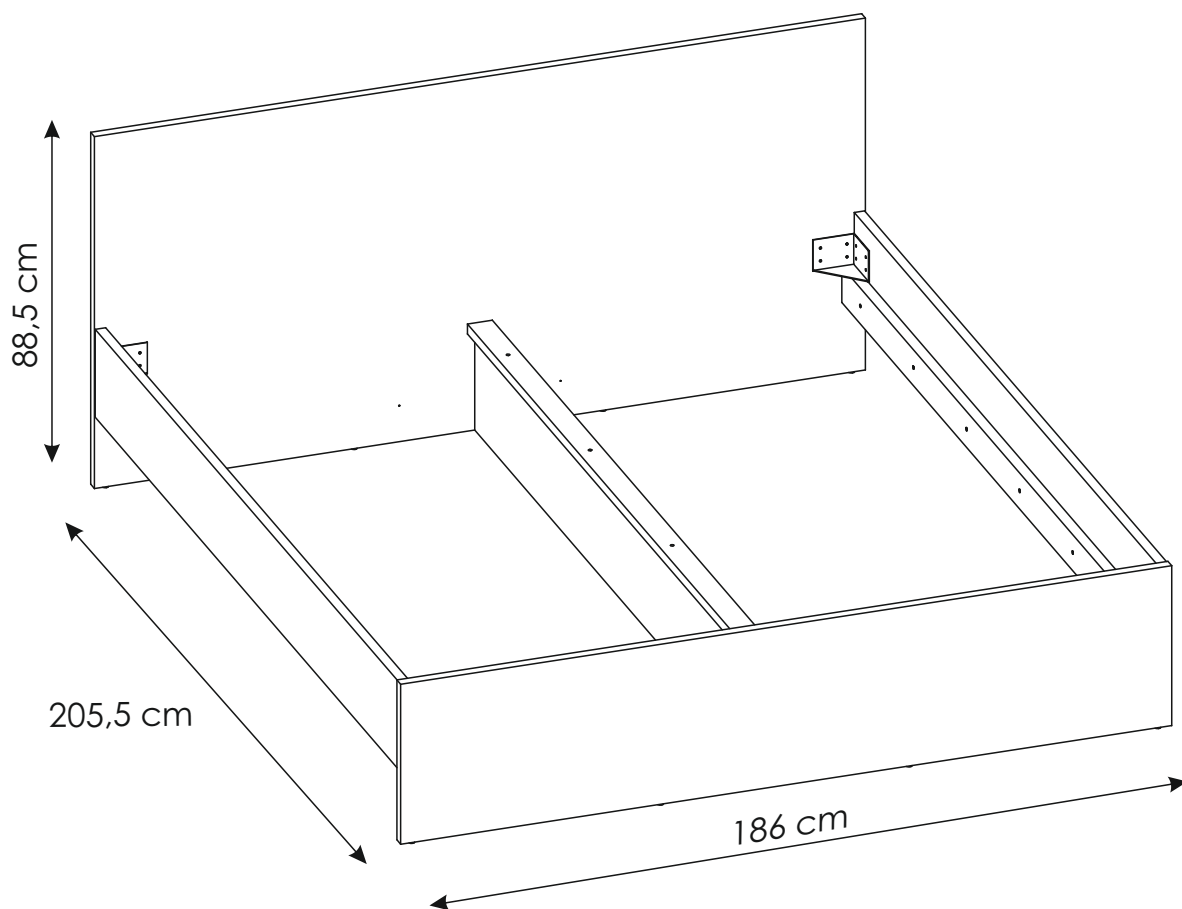
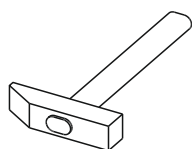
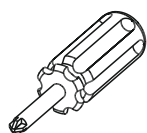
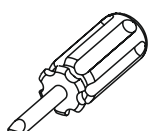
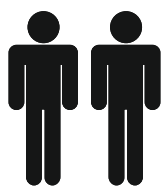
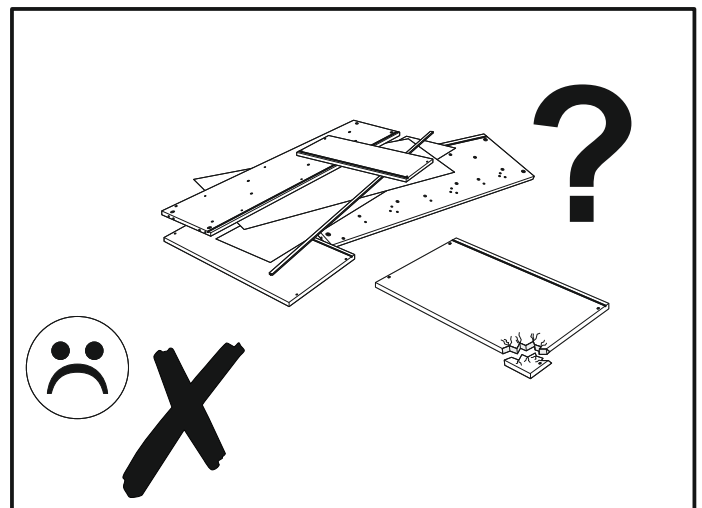
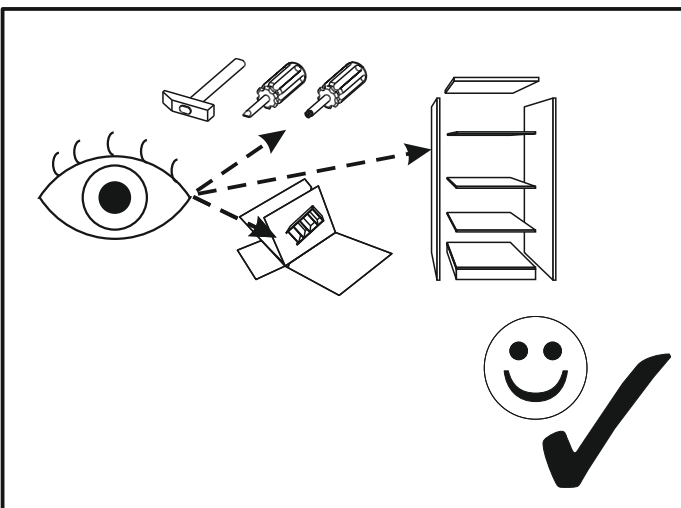
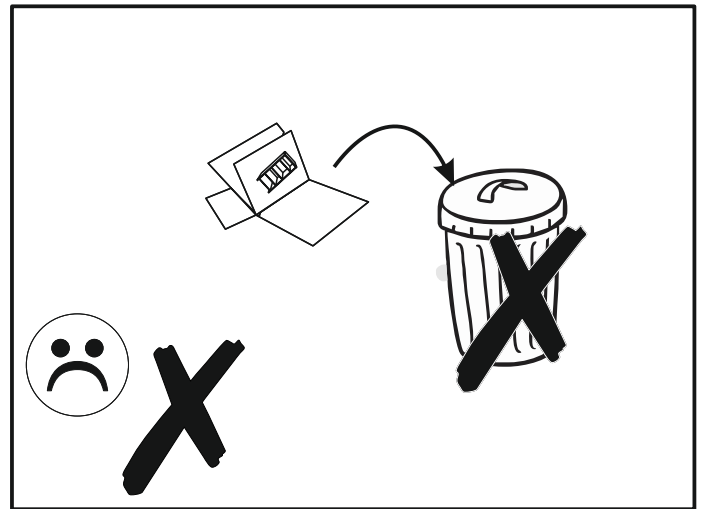
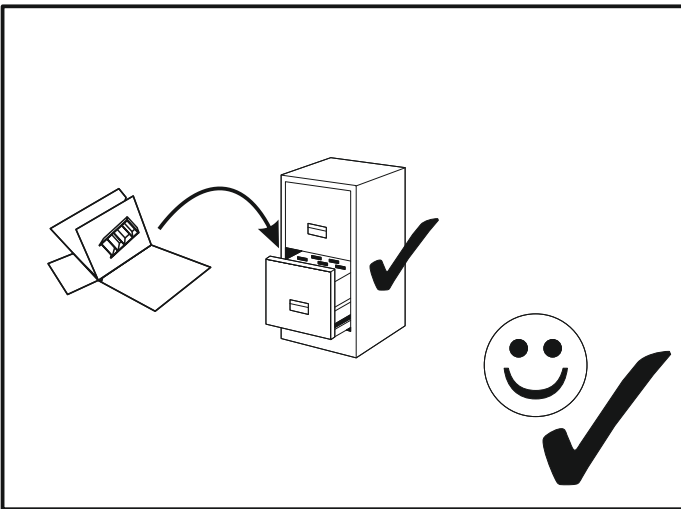
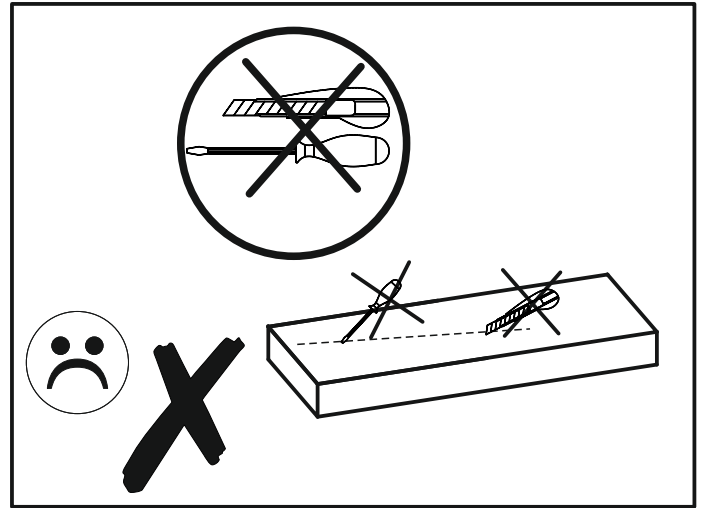
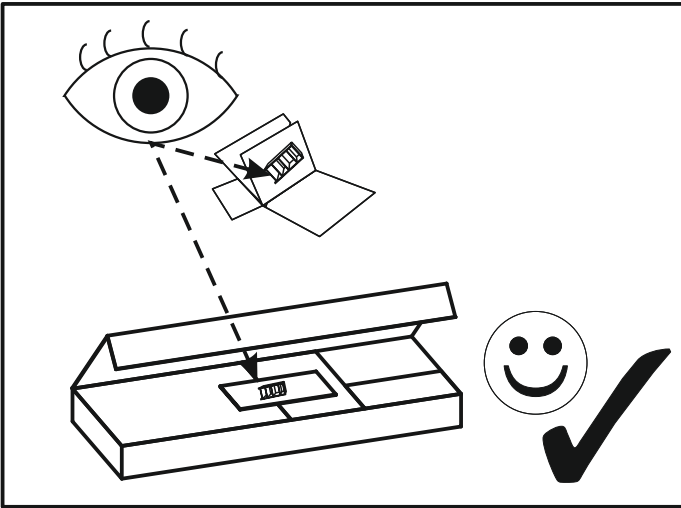
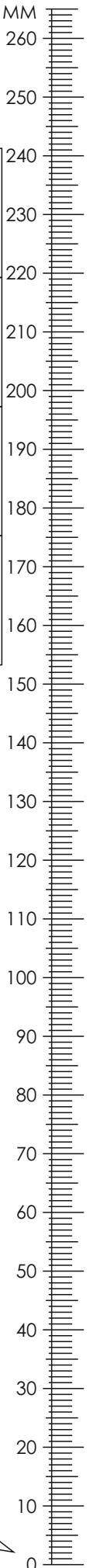


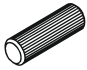



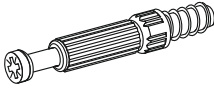
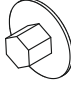


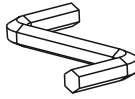
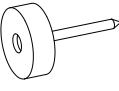


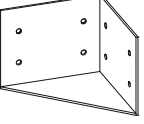
BOSZ13

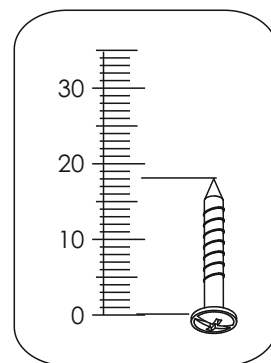




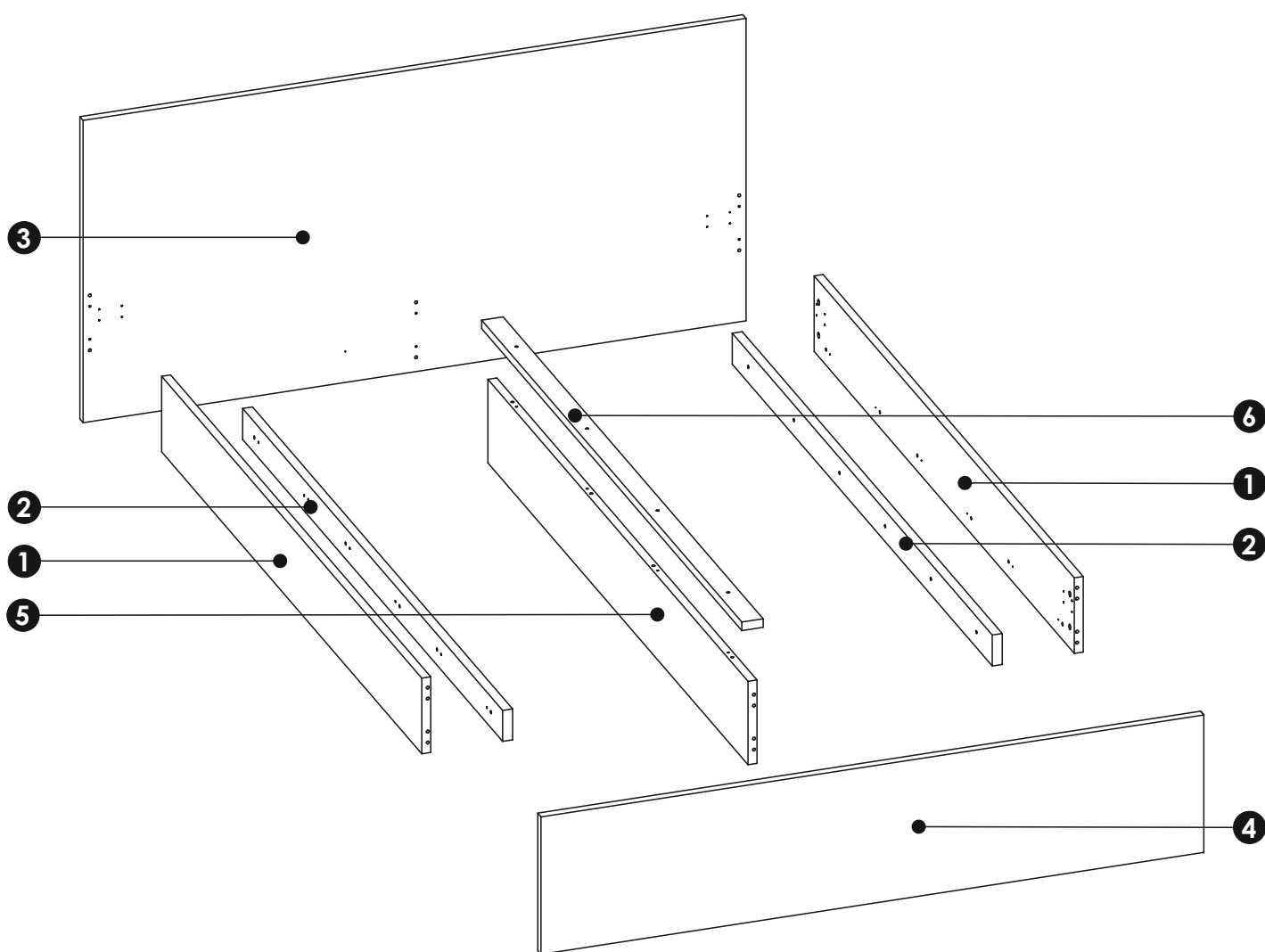
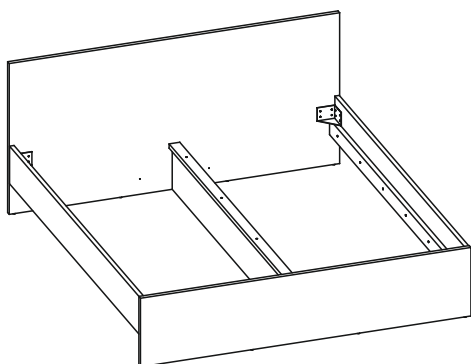
BOSZ13



A1 8 x 35 mm x28 	C2 5 x 13 mm x32 	E0  x4
E1 15 x 12 mm x12 	F1 6 x 34 mm x12 	G0  x4
G1 7 x 50 mm x4 	J11 4,0 x 50 mm x12 	M  x1
O2  x12	P0  x8	R12  x12
X5  x4		

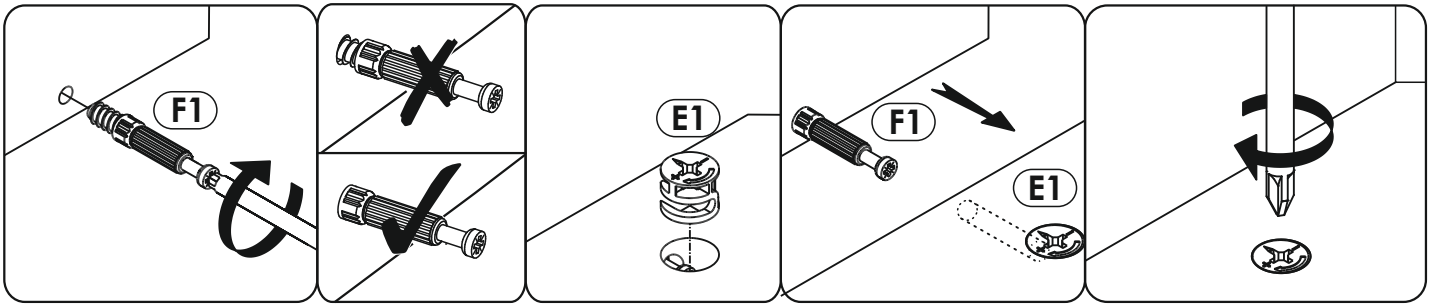


BOSZ13

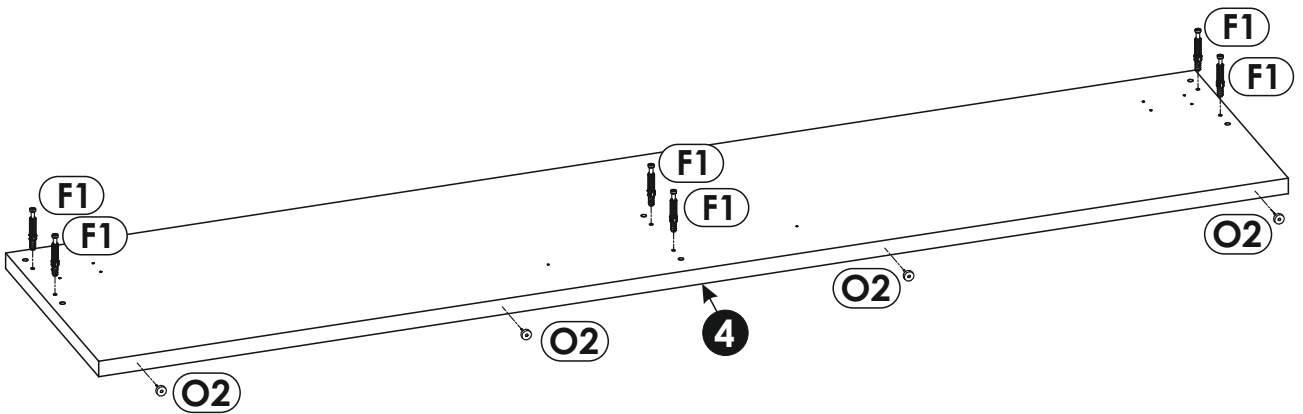
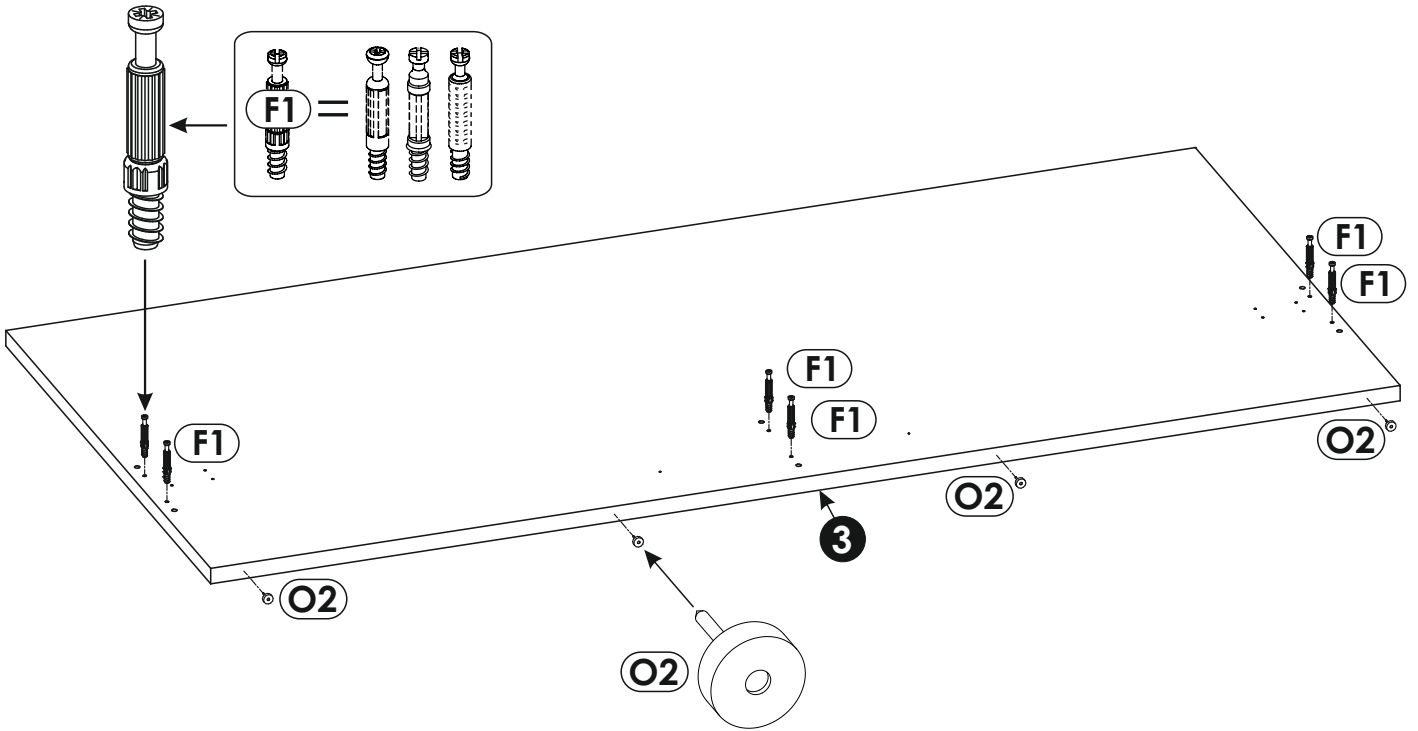


1	2005	220	25	x2	2/3
2	2005	90	28	x2	1/3
3	1860	880	25	x1	3/3

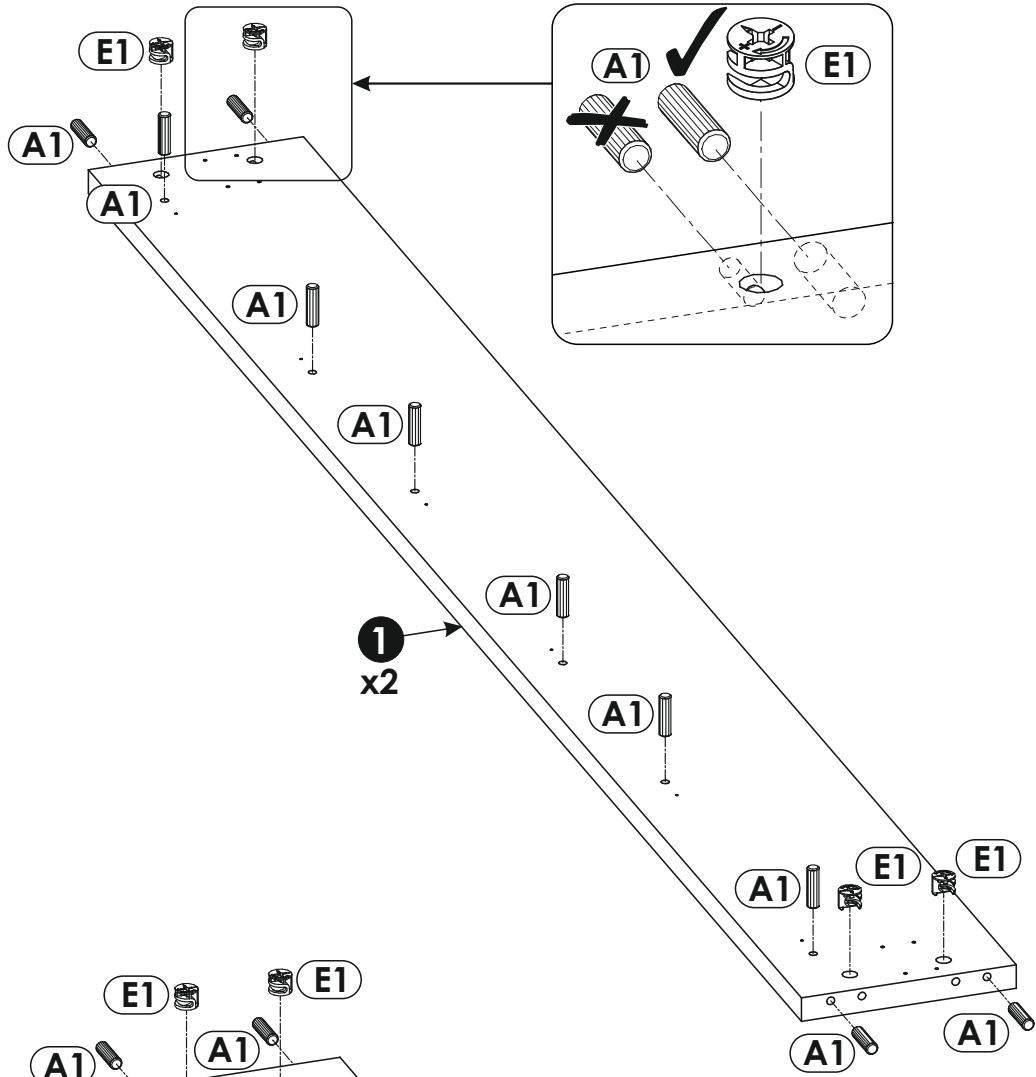
4	1860	400	25	x1	2/3
5	2005	243	25	x1	1/3
6	2005	60	25	x1	1/3



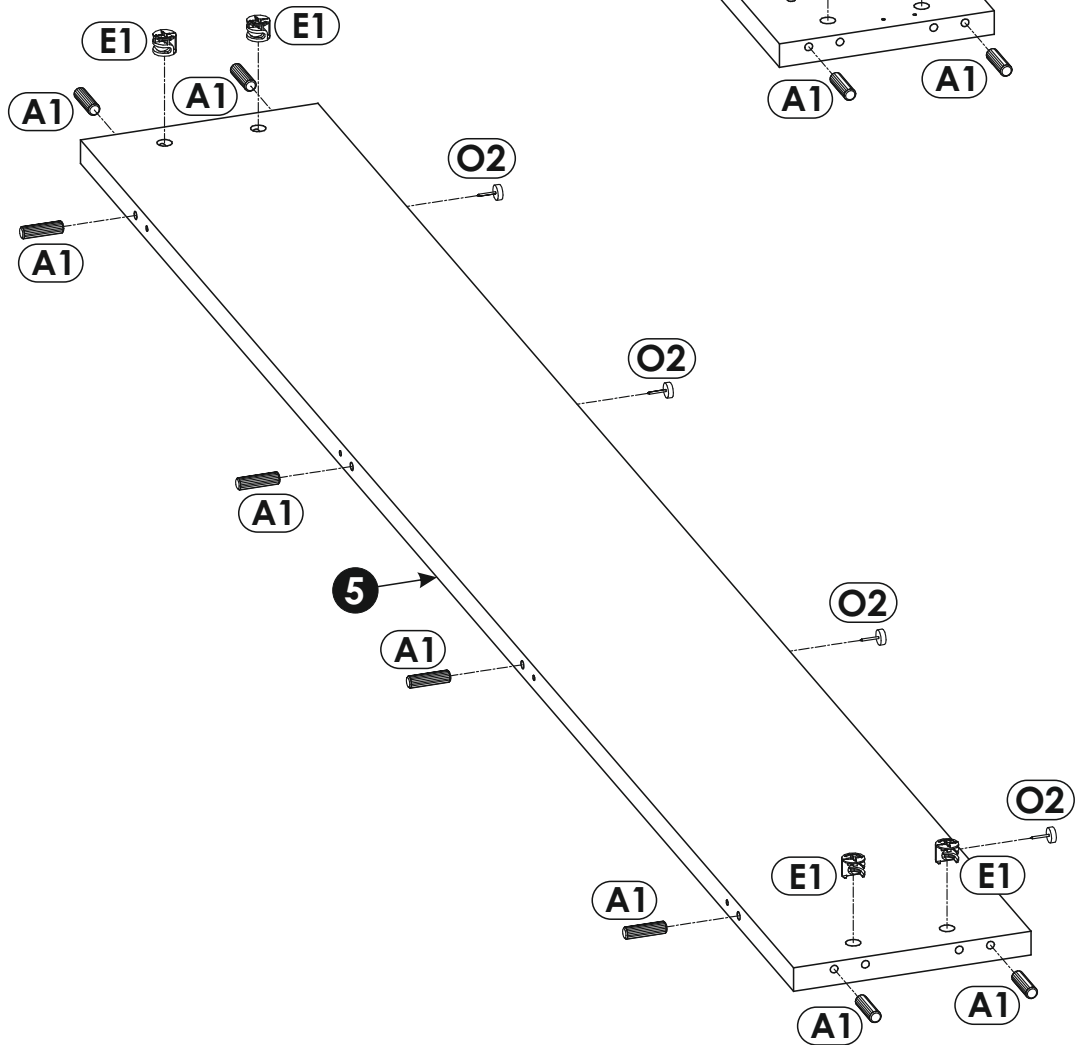
1 ▶



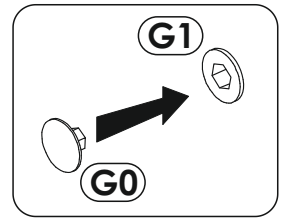
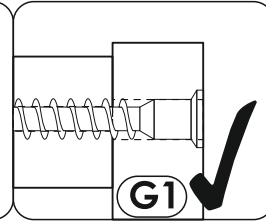
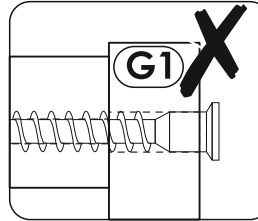
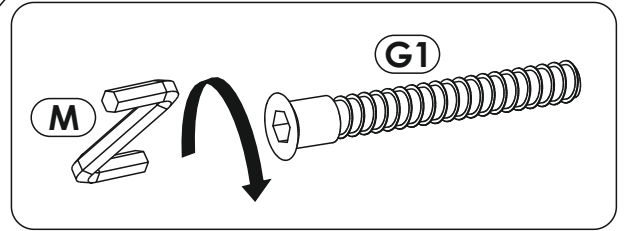
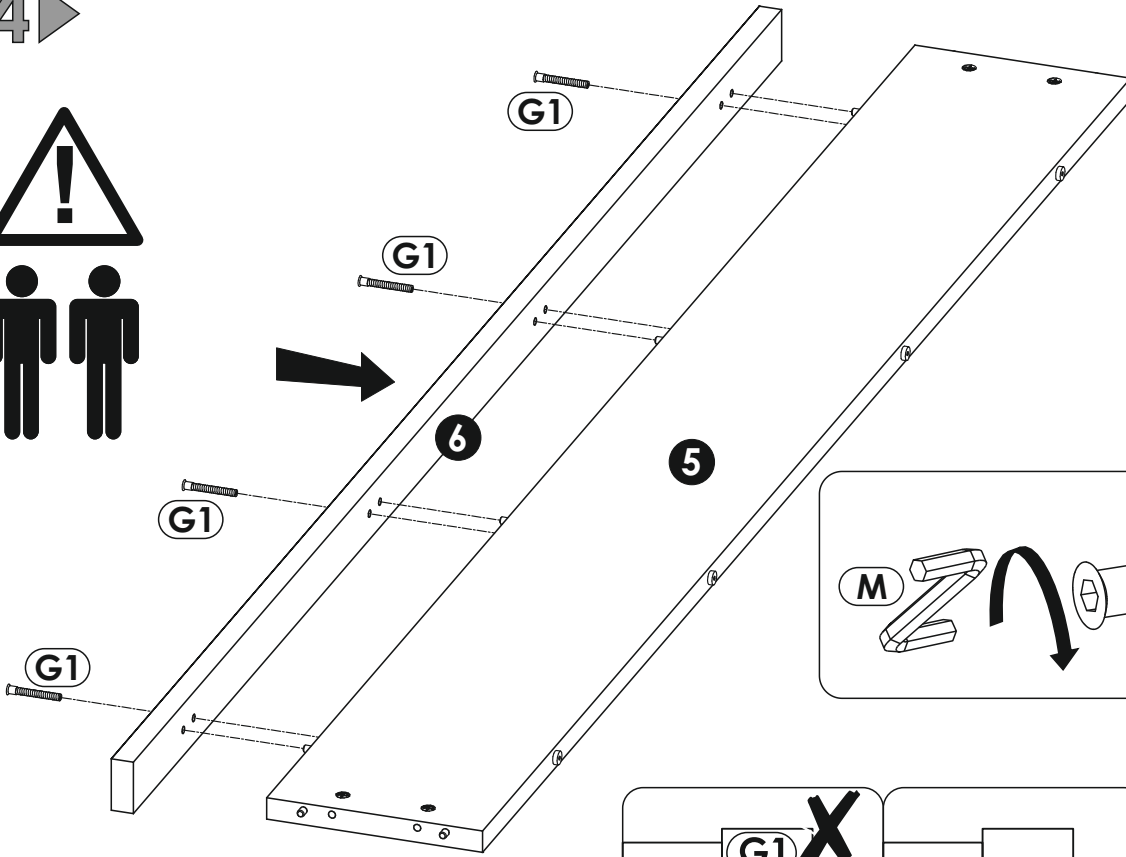
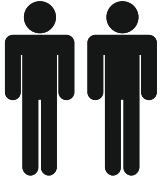
2 ▶



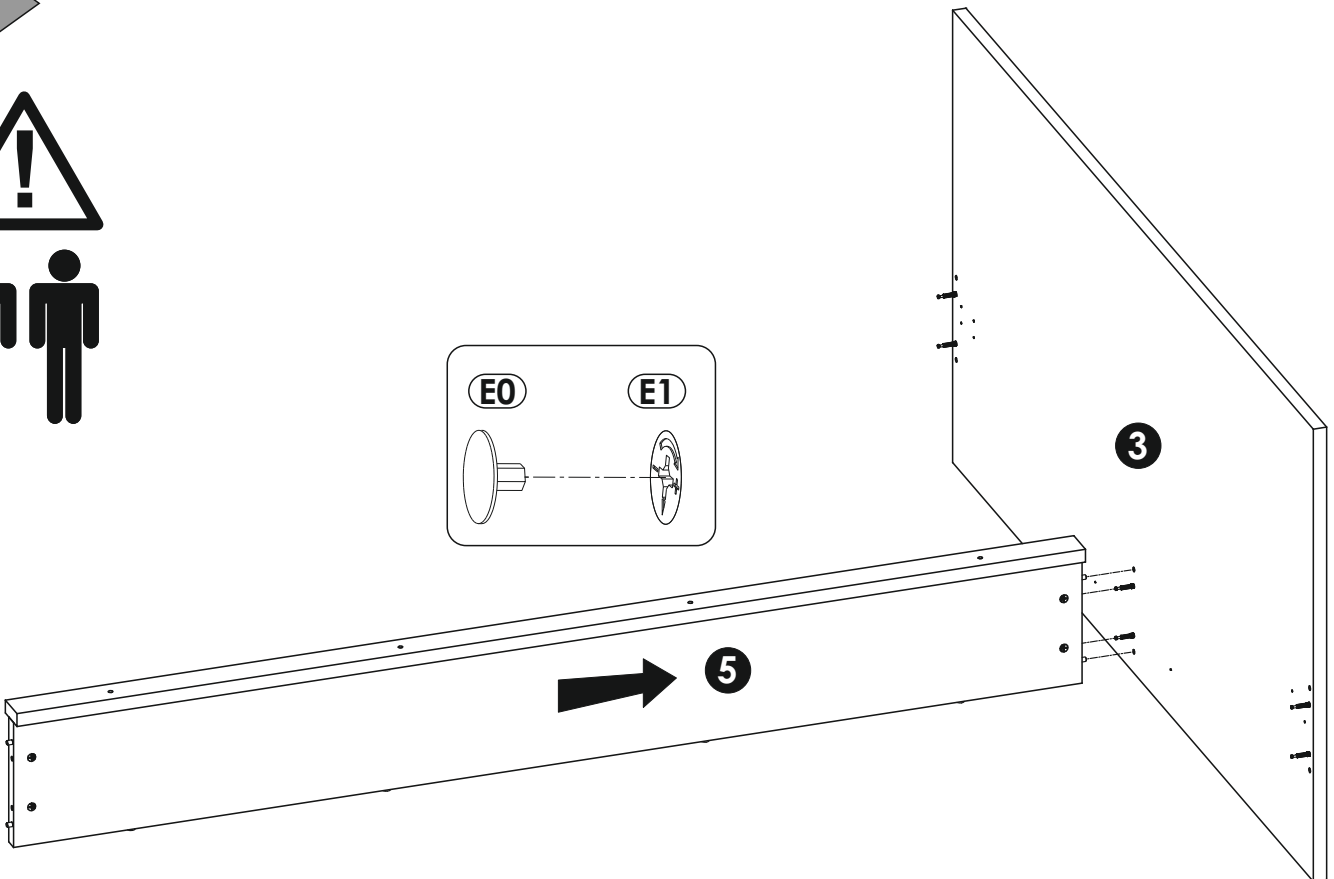
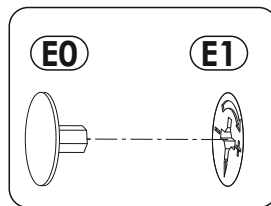
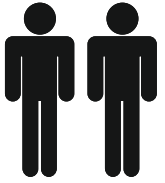
3 ▶



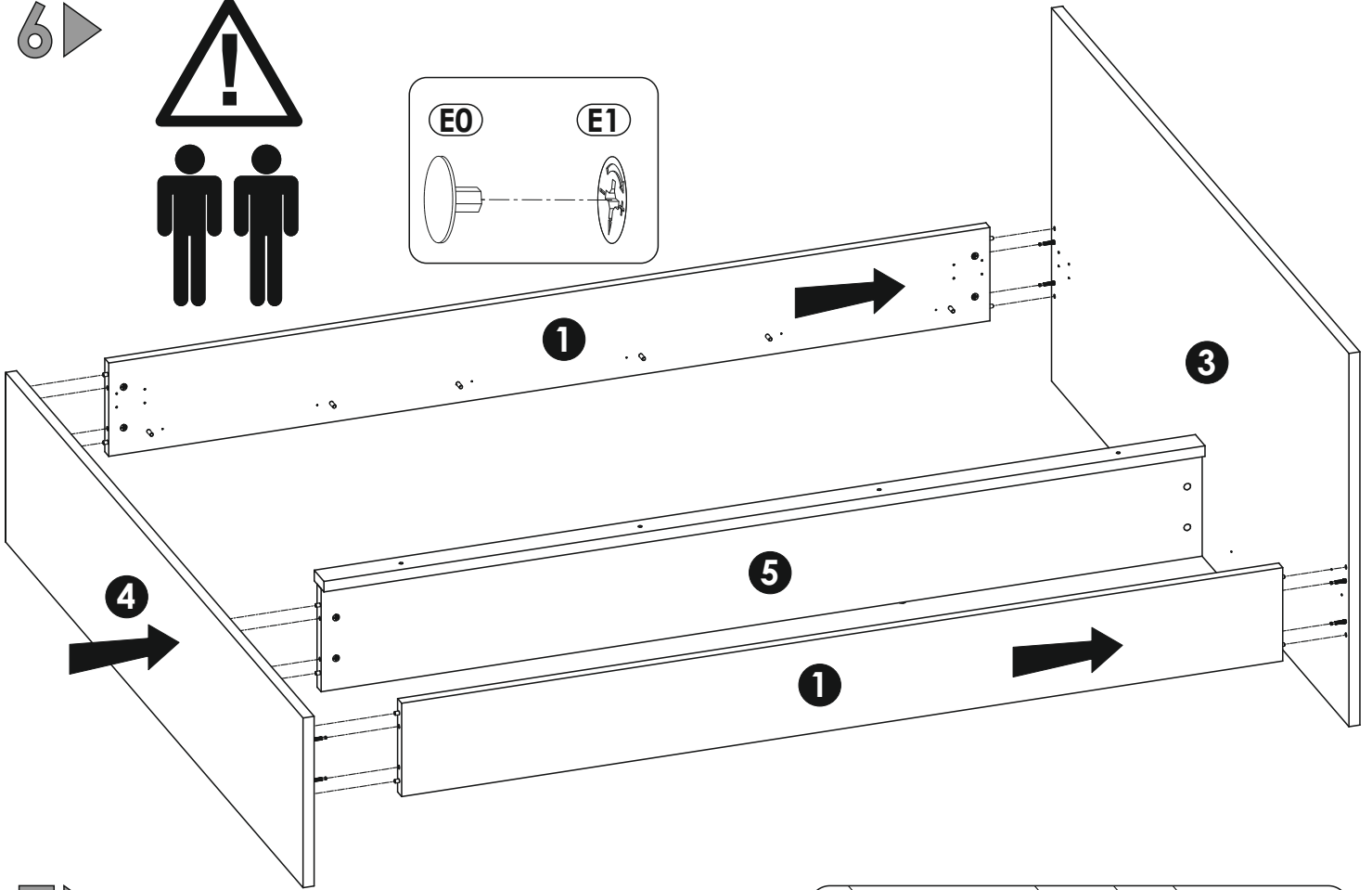
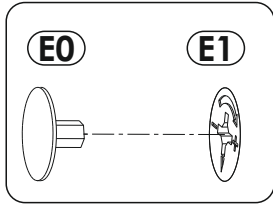
4 ▶



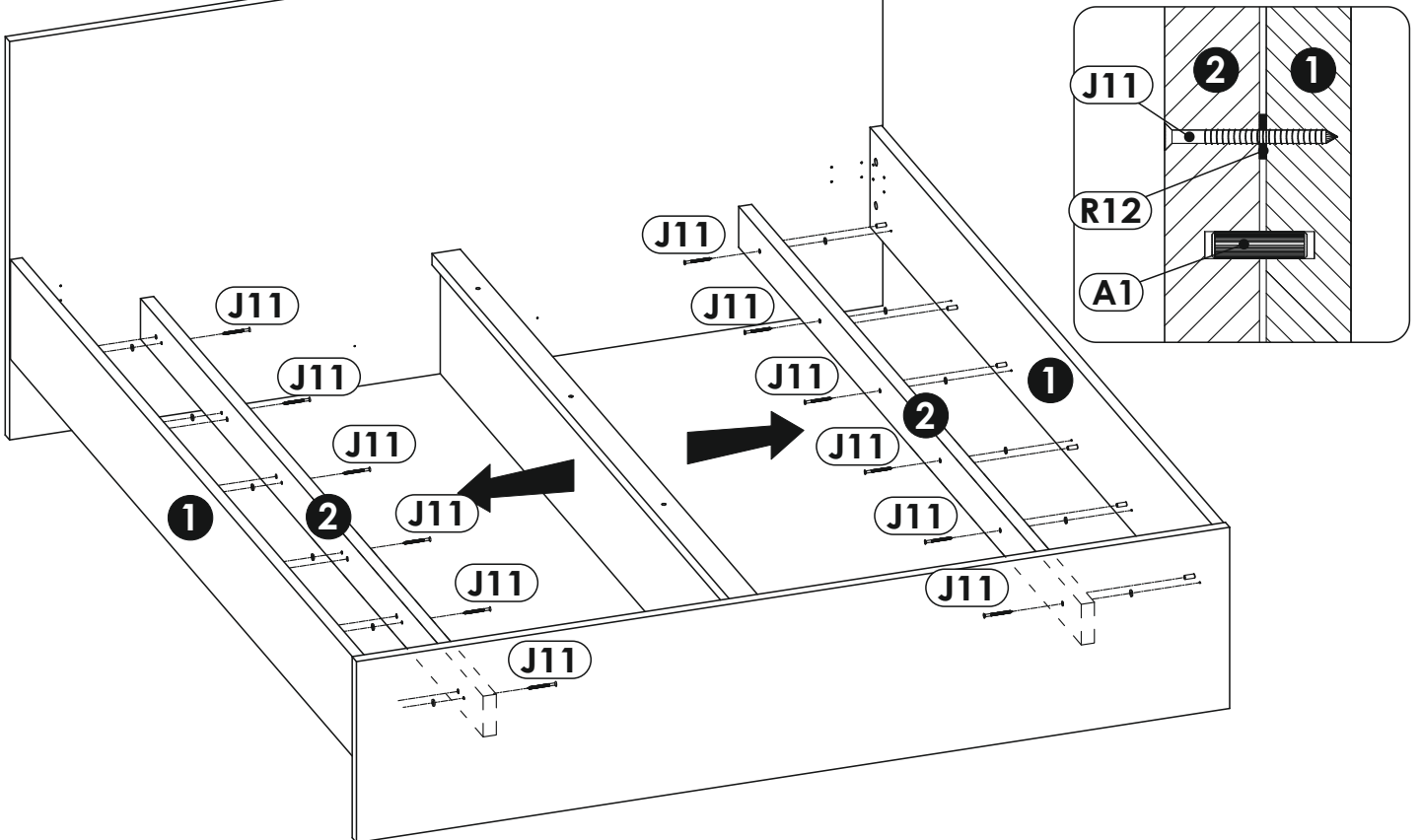
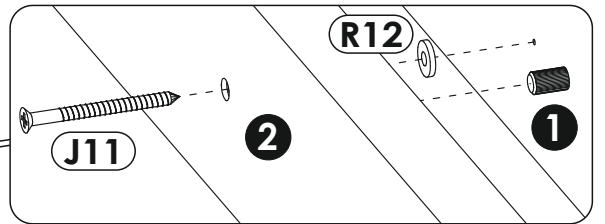
5 ▶



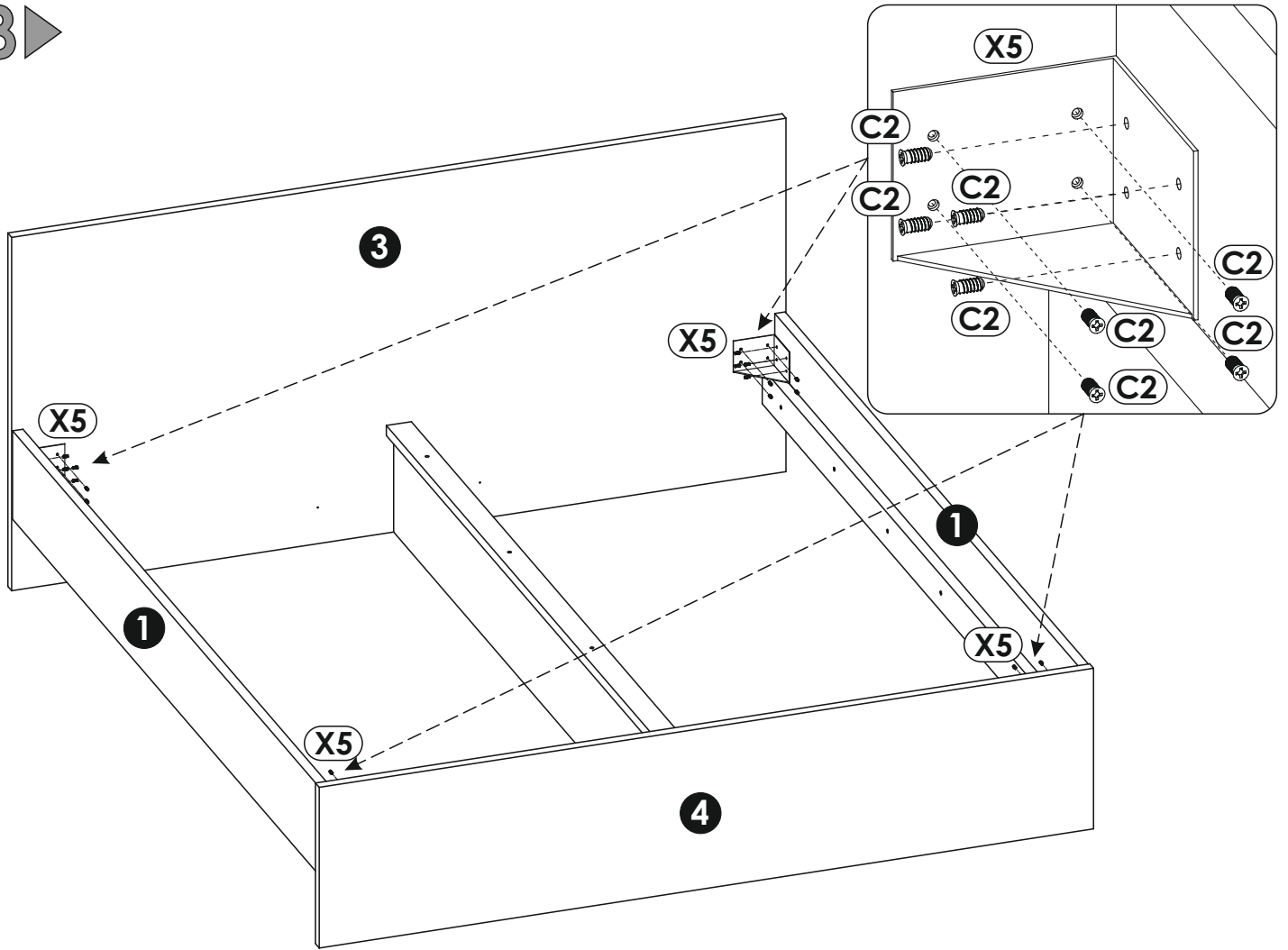
6 ▶



7 ▶



8 ▶



9 ▶

