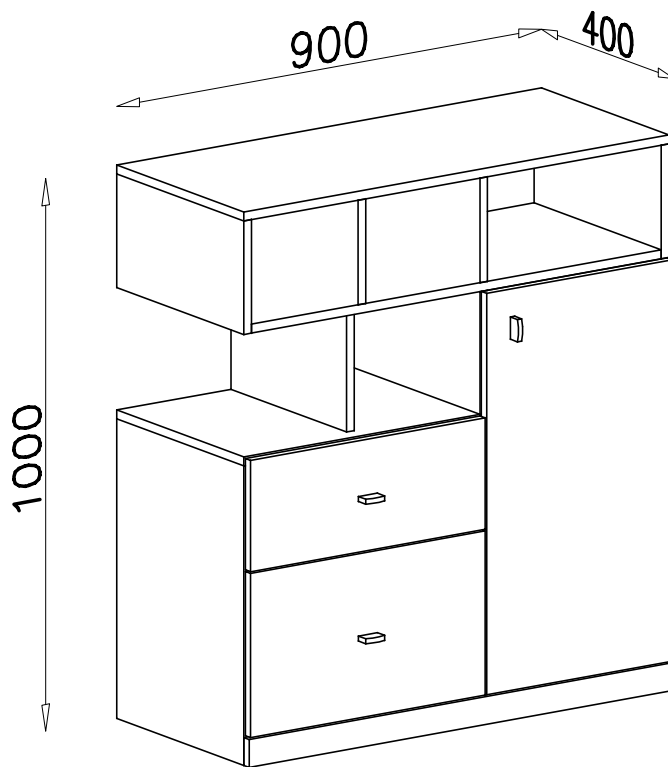
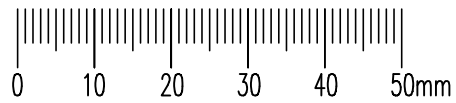
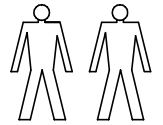
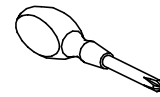
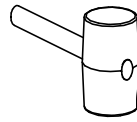
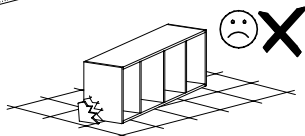
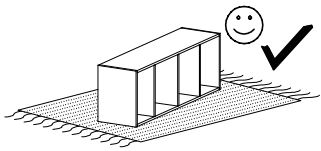
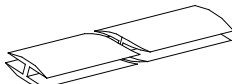



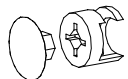
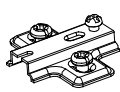
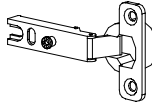


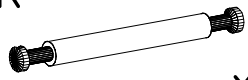

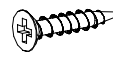
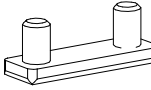
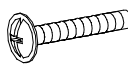
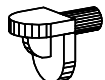
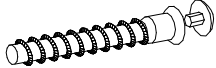

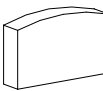
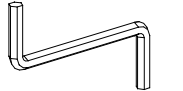
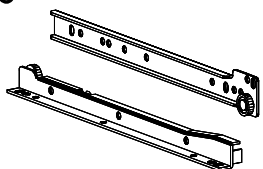
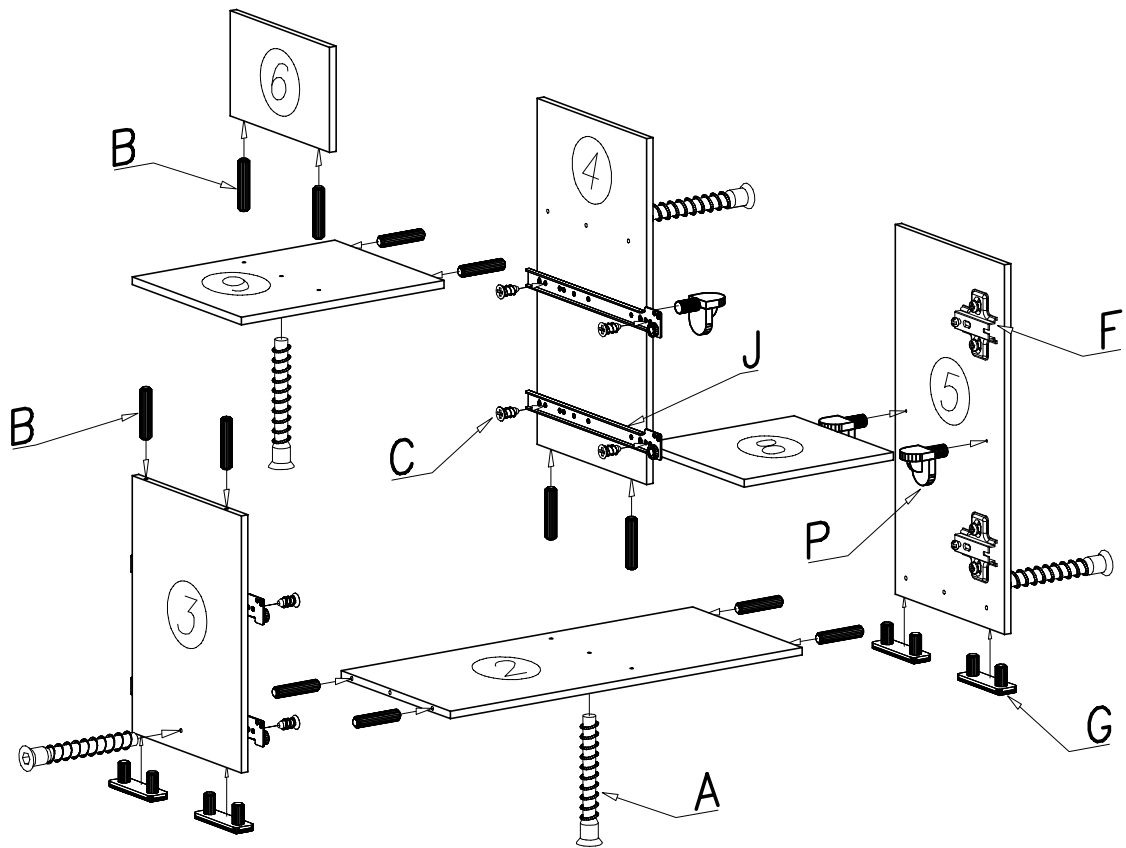


# MOBI MO 9

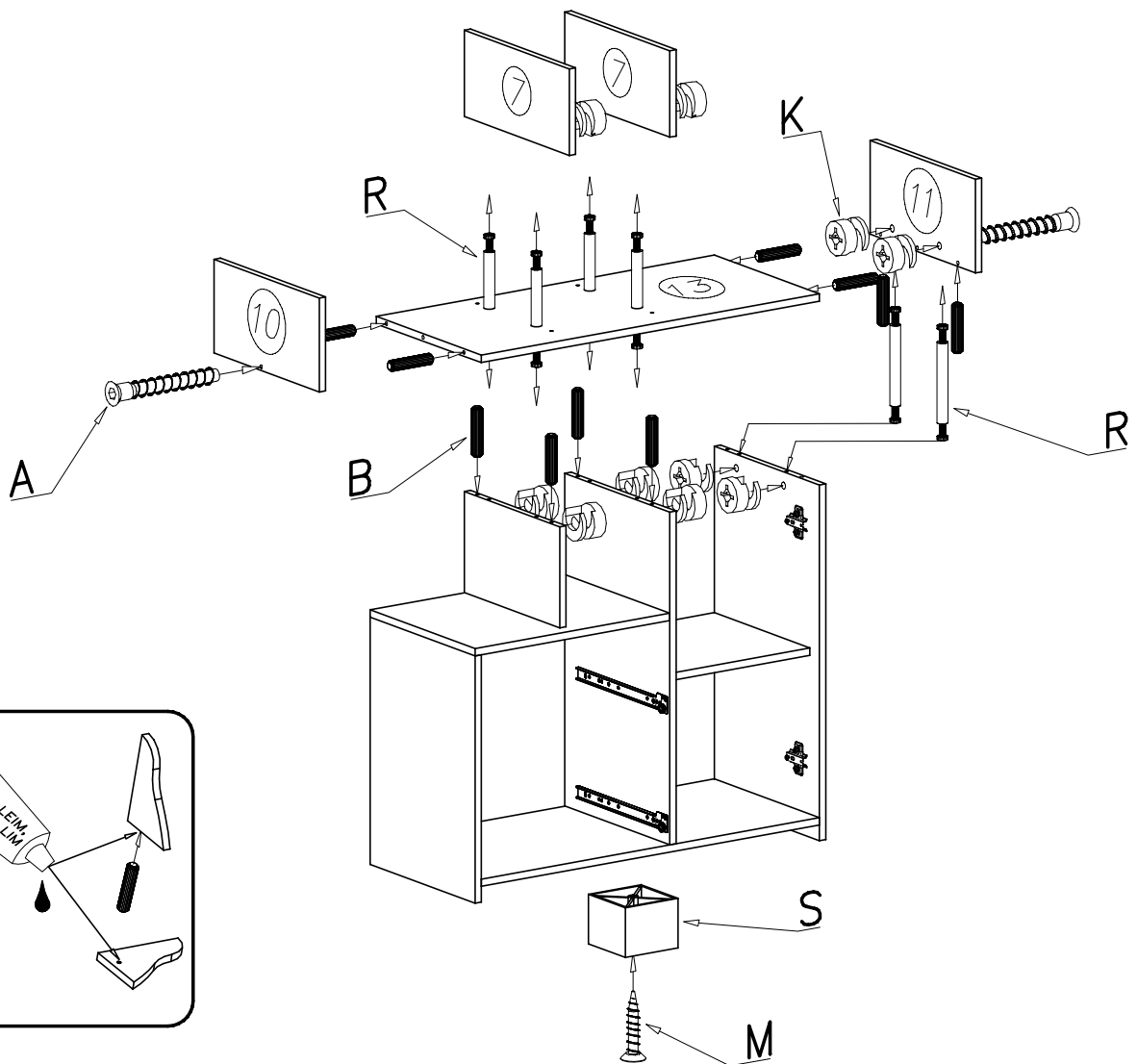


<b>H</b>  486mm x1	<b>M</b>  4 x 40 x1	<b>S</b>  x1	<b>O</b>  x15	<b>K</b>  x12
<b>F</b>  x2	<b>D</b>  x2	<b>T</b>  4 x 16 x16	<b>C</b>  6 x 13 x8	<b>R</b>  x6
<b>W</b>  x3	<b>E</b>  3 x 20 x60	<b>G</b>  x4	<b>N</b>  M4 x 22 x6	<b>P</b>  x4
<b>A</b>  x7	<b>B</b>  x50	<b>U</b>  x3	<b>Z</b>  x1	<b>J</b>  35cm x2

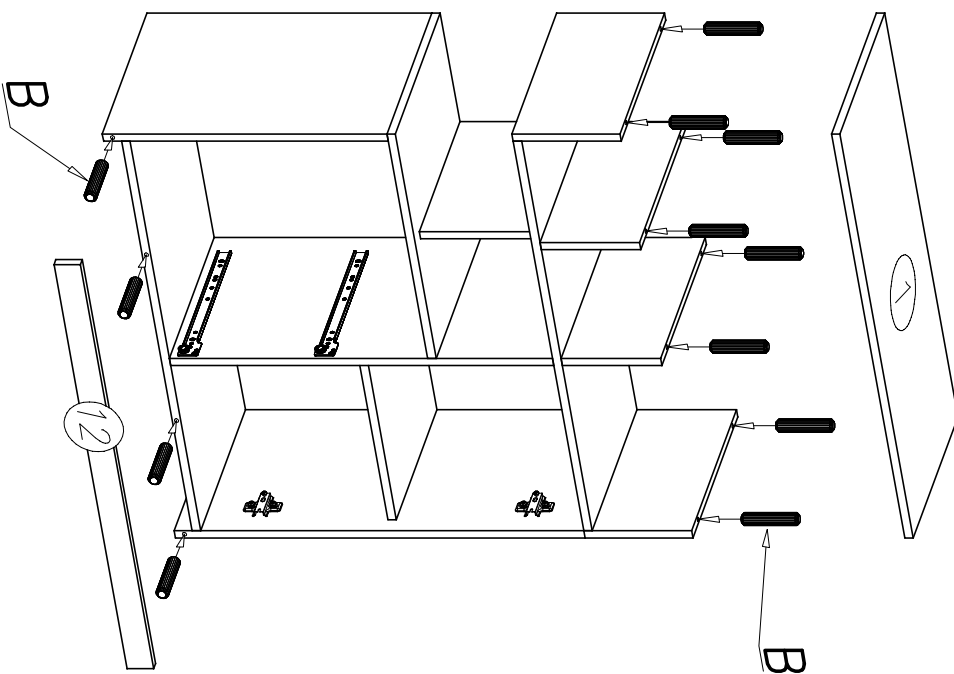
I



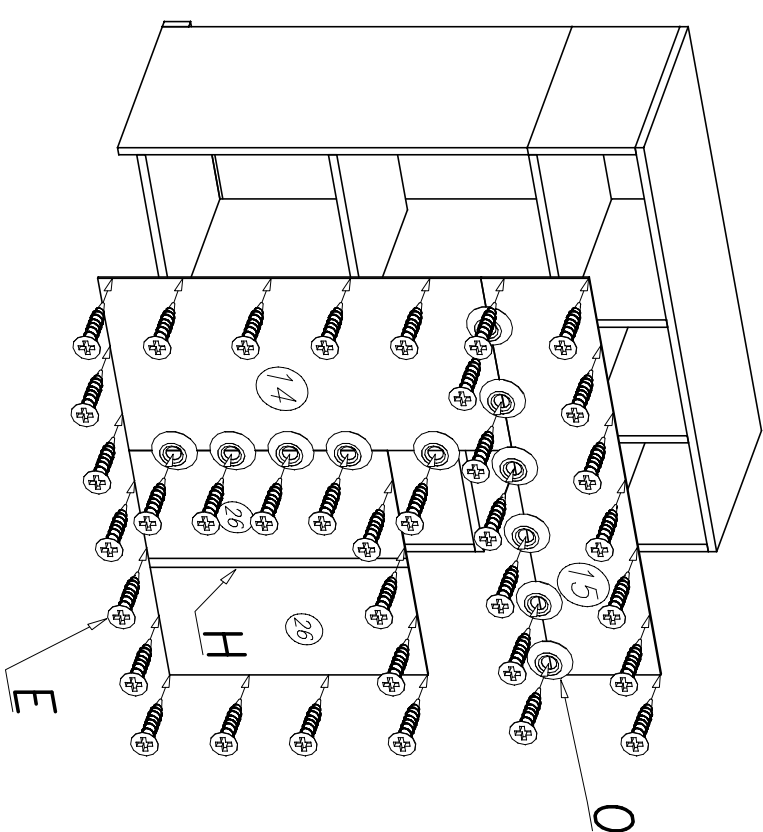
II



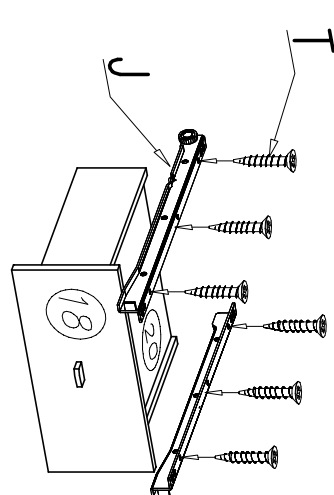
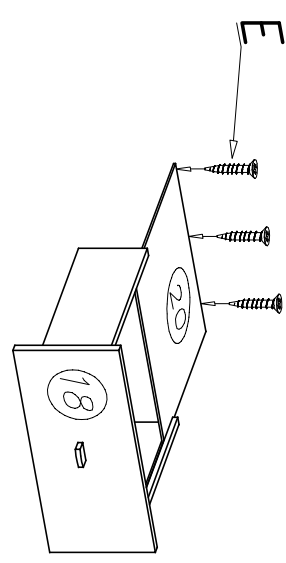
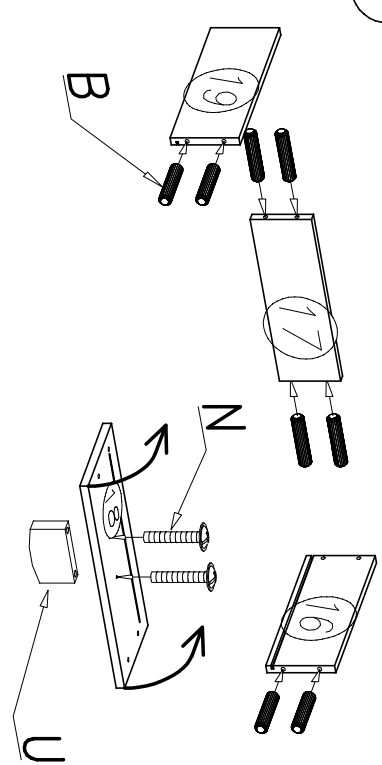
III



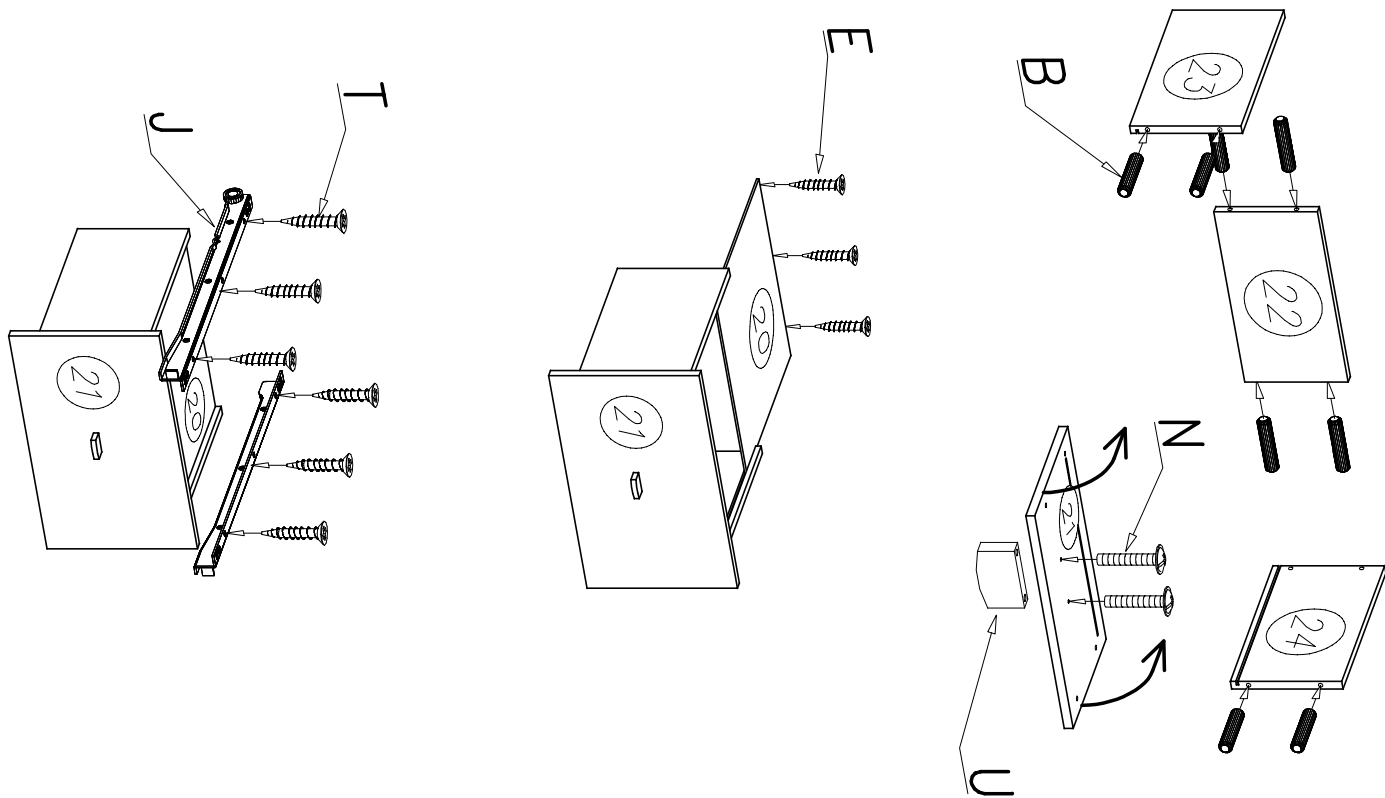
IV



V



VI



VII

