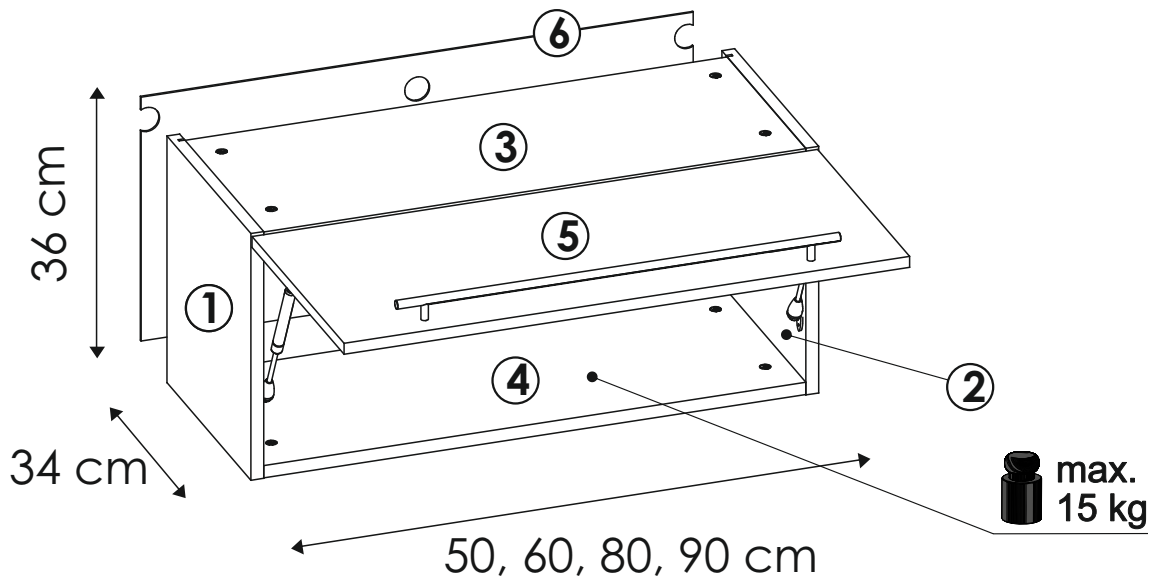
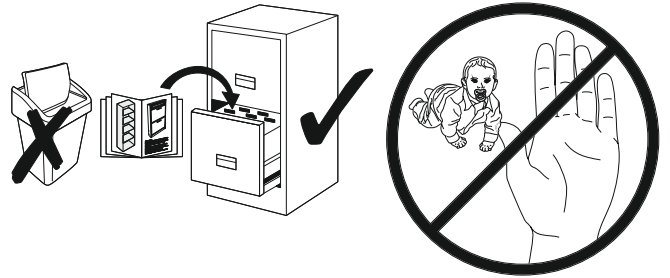
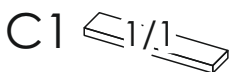


# W4BU 50, 60, 80, 90



<b>a1</b> 8x35 x....(x8)	<b>c1</b> Euro 4x13 x....(x4)	<b>bc0</b> x....(x2)	<b>bc1</b> x....(x2)	<b>e0</b> x....(x8)	<b>e1</b> x....(x8)	<b>f1</b> x....(x8)	<b>h1</b> x....(x1)	
<b>i5</b> 3,5x30 x....(x4)	<b>k3</b> 4x22 x....(x2)	<b>m</b> x....(x1)	<b>n1</b> 3x16 x....(x20)	<b>n2</b> 3,5x16 x....(x8)	<b>p11</b> x....(x2)	<b>p8</b> x....(x1)	<b>r4</b> x....(x4)	<b>w16</b> x....(x1)



- ① -C1
- ② -C1
- ③ -C1
- ④ -C1
- ⑤ -C1
- ⑥ -C1

