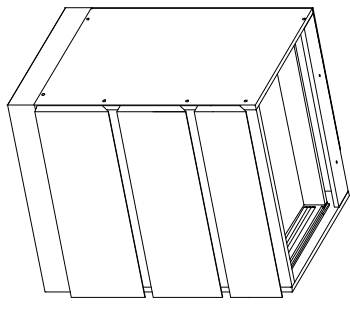
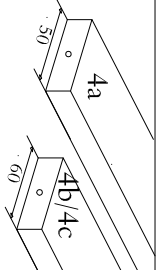
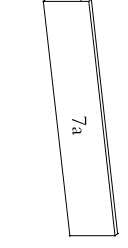
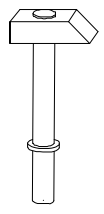
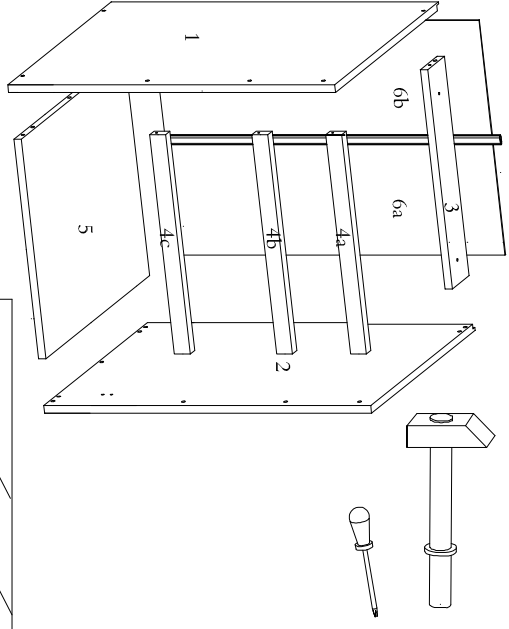
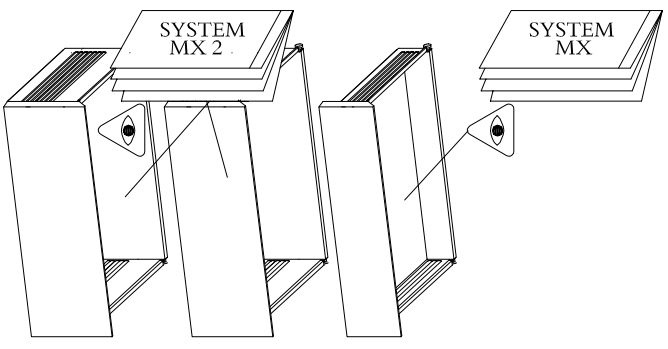
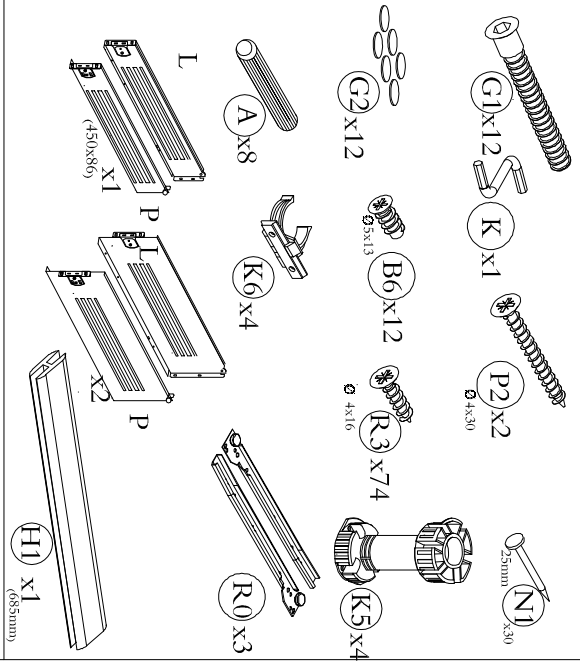


CAMPARI

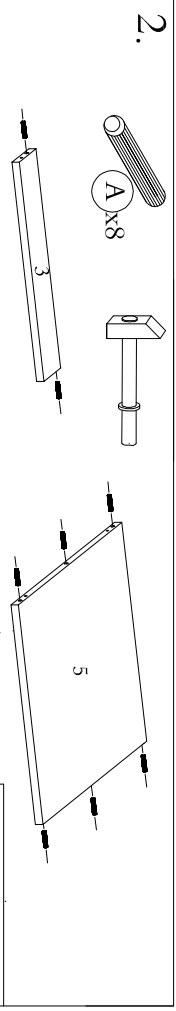
Ds6/3-Ds9/3



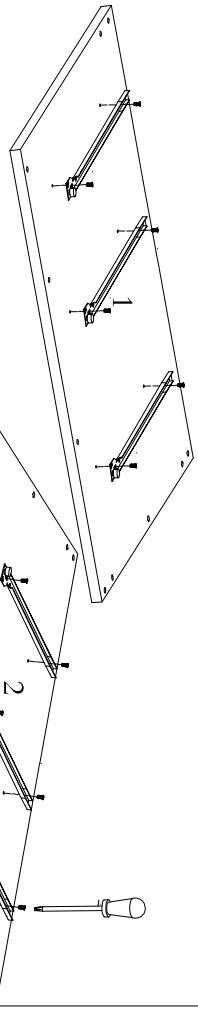
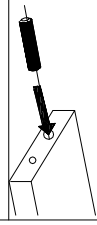
1.



1/6



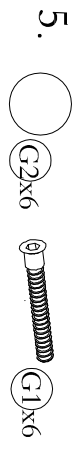
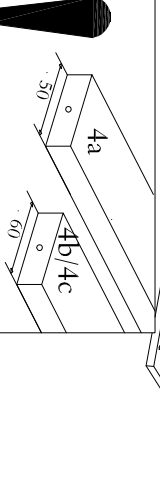
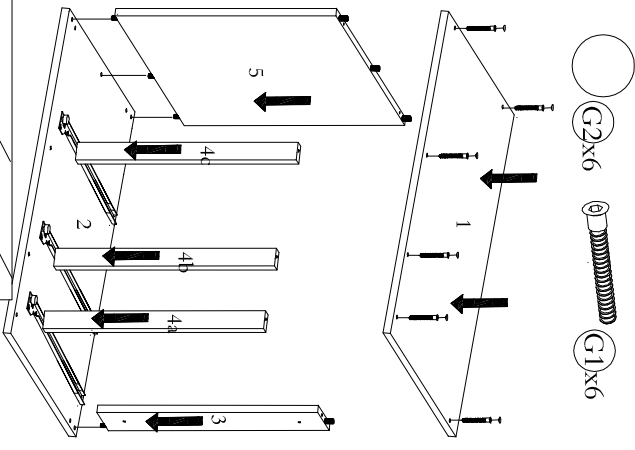
2.



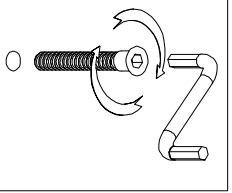
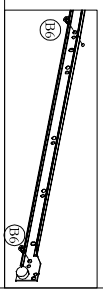
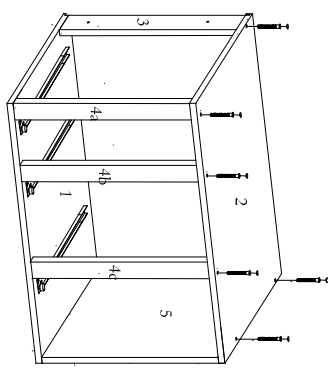
3.



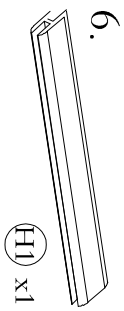
4.



5.



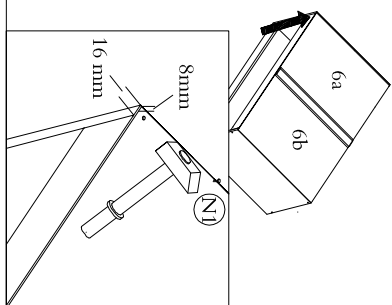
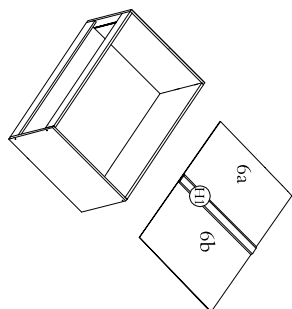
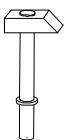
2/6



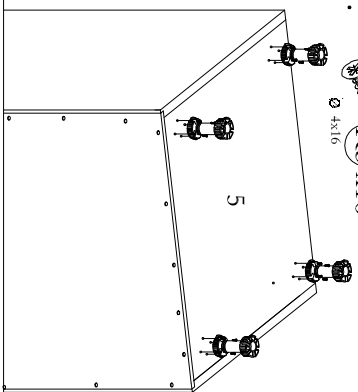
6. (H1) x1

6.1

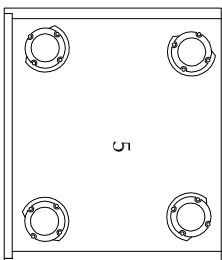
Ø25mm N1



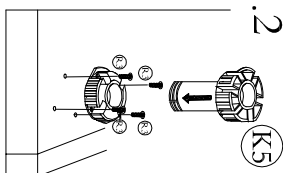
7. (R3) x16
Ø 4x10



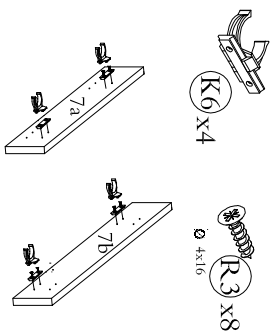
7.1



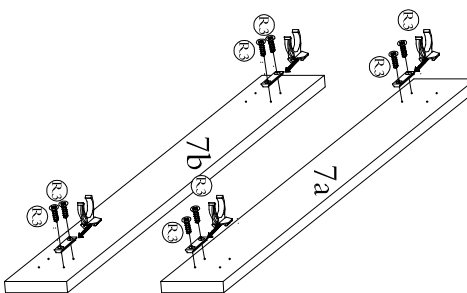
7.2



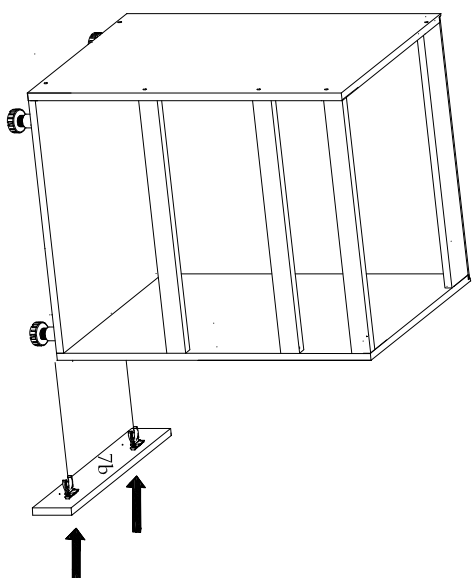
8.



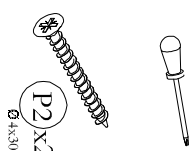
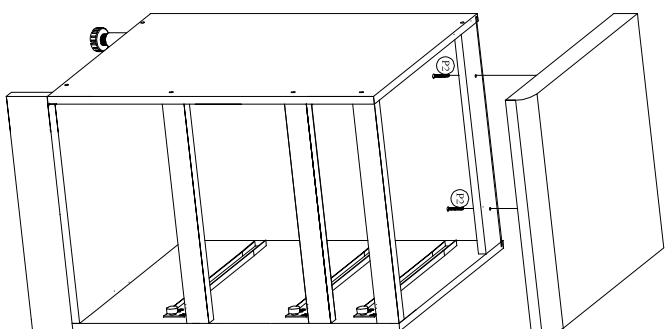
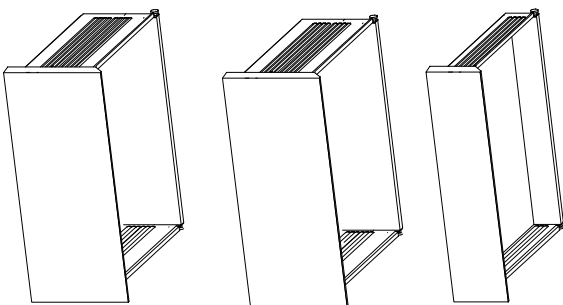
9.



10.1

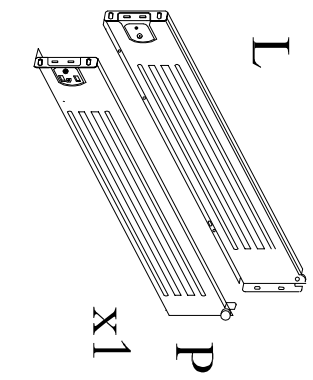


11.

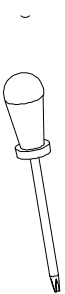


(P2) x2
Ø 4x30

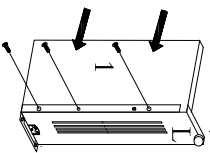
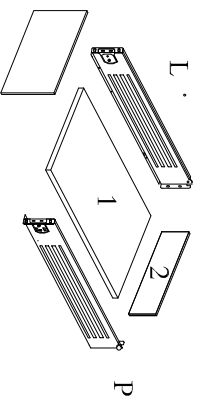
SYSTEM MX



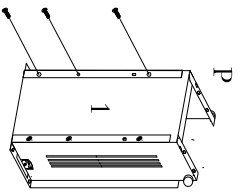
R3 x14
 Ø4x16



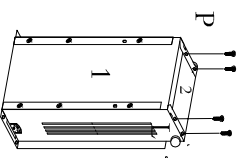
1. R3 x3
Ø4x16



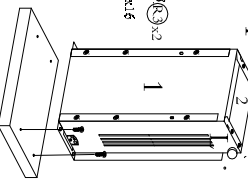
3. R3 x3
Ø4x16



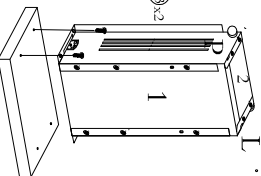
4. R3 x4
Ø4x16



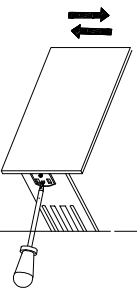
5.1 P R2 x2
Ø4x16



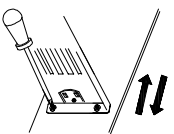
5.2 R2 x2
Ø4x16



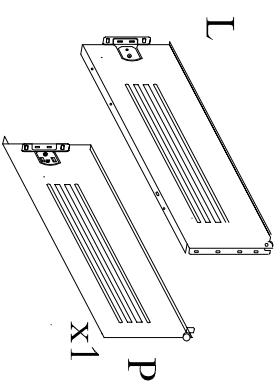
6.



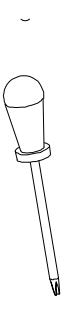
6.1



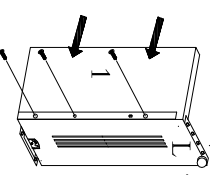
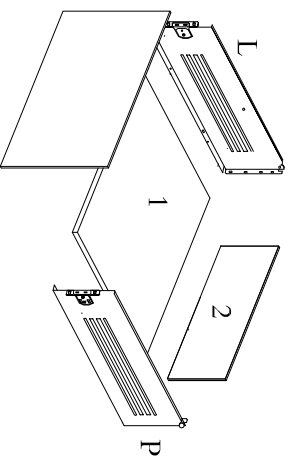
SYSTEM MX 2



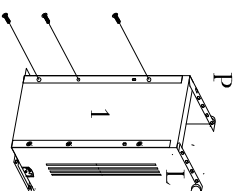
R3 x18
 Ø4x16



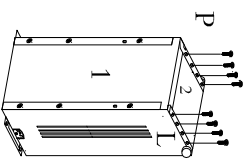
1. R3 x3
Ø4x16



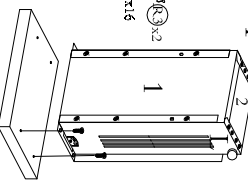
3. R3 x3
Ø4x16



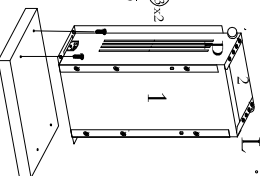
4. R3 x8
Ø4x16



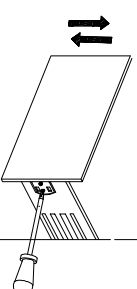
5.1 P R2 x2
Ø4x16



5.2 R2 x2
Ø4x16



6.



6.1

