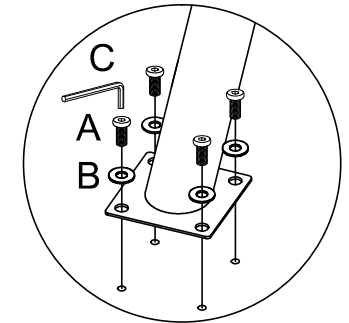
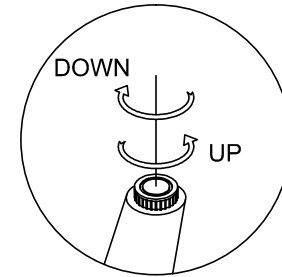
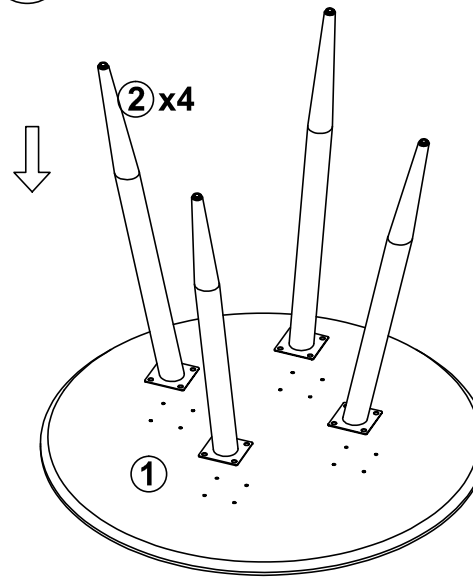
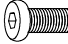




# ASSEMBLY INSTRUCTIONS



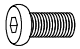


**1**



-  AX16
-  BX16
-  CX1

**2**



Ax16	Bx16	Cx1		
				
1x1	2x4			
