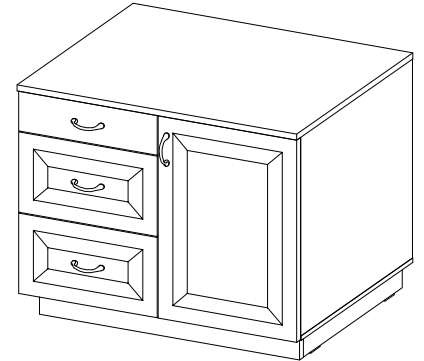
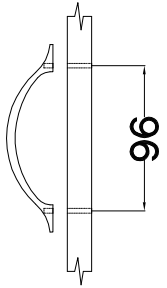
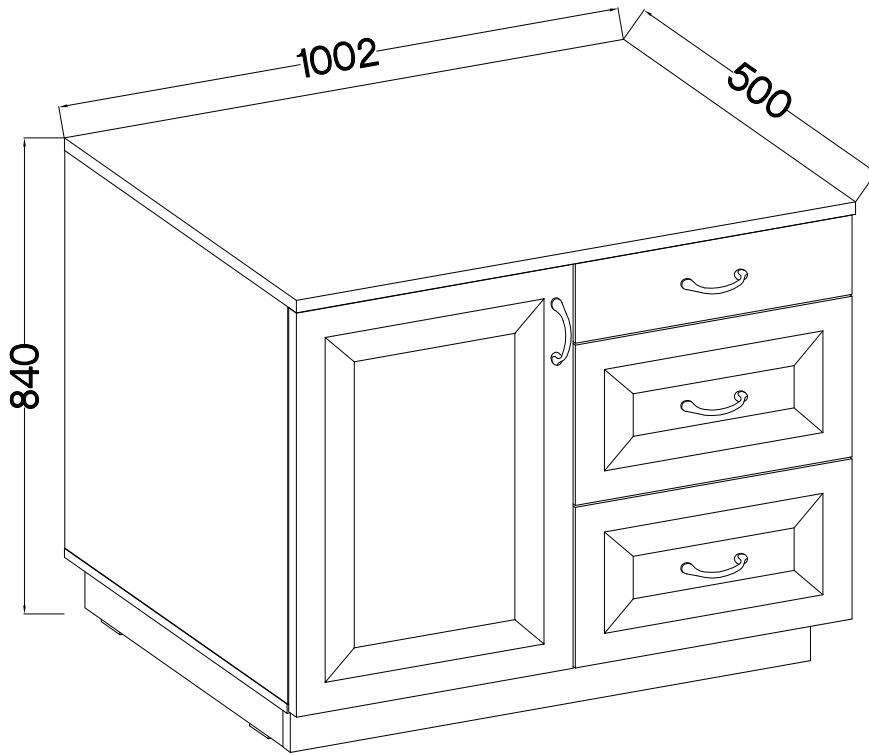
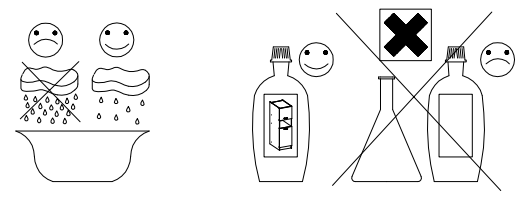
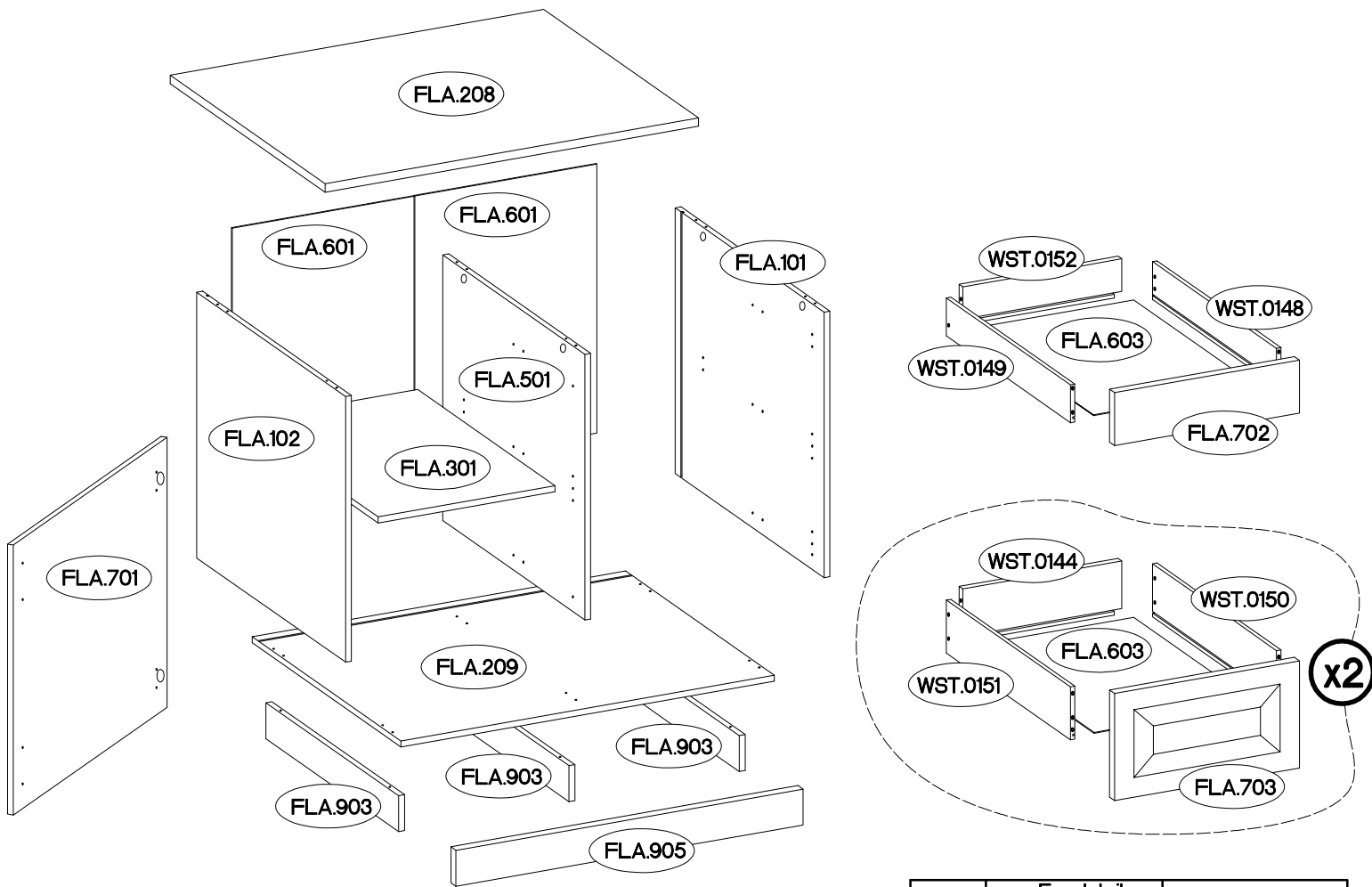
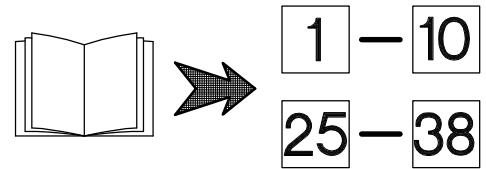
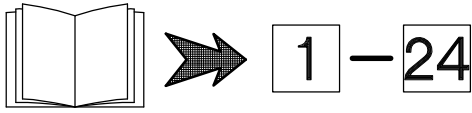
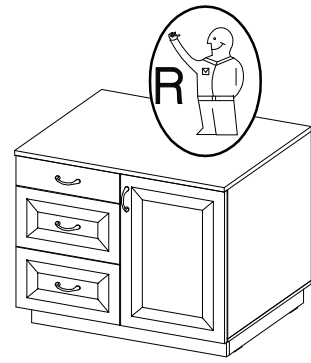
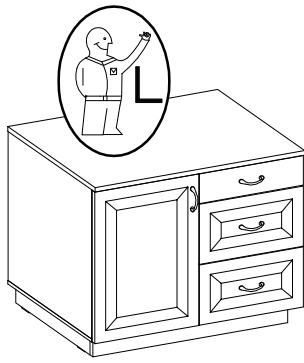


TYP 830



 +8x30mm A 30	 6,4 x 50mm B 6	 +6x42mm B2 10	 +15/12mm C 6	 +12/10mm C5 6	 L=20mm D2 12	 E 6	 E1 4	 +15x5mm F4 1	 6.5x48x16 F22 6	 +35/0mm HG 2
 L=400mm I9 3	 +5/16mm J3 4	 +20/8mm J14 9	 L 14	 L2 4	 L9 1	 +6.3x13mm M2 9	 +6.3x20mm M3 9	 O 1	 O1 1	
 +10x50mm O7 1	 +4.0x16mm P1 10	 +3.5x13mm P5 5	 +3.0x20mm P7 10	 S 4	 T3 5	 M4x22mm U 8				

ISM-FLA-05



FLA.603




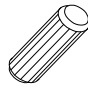

FLA.301

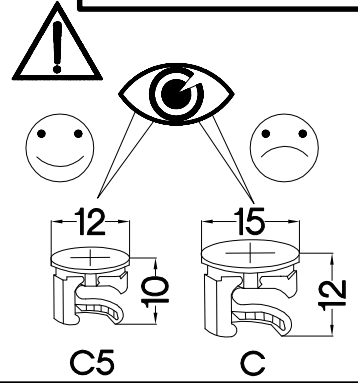
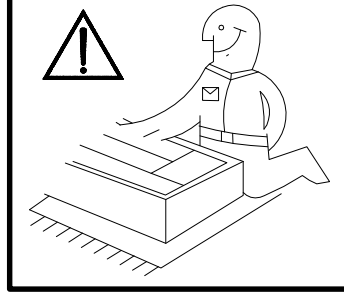
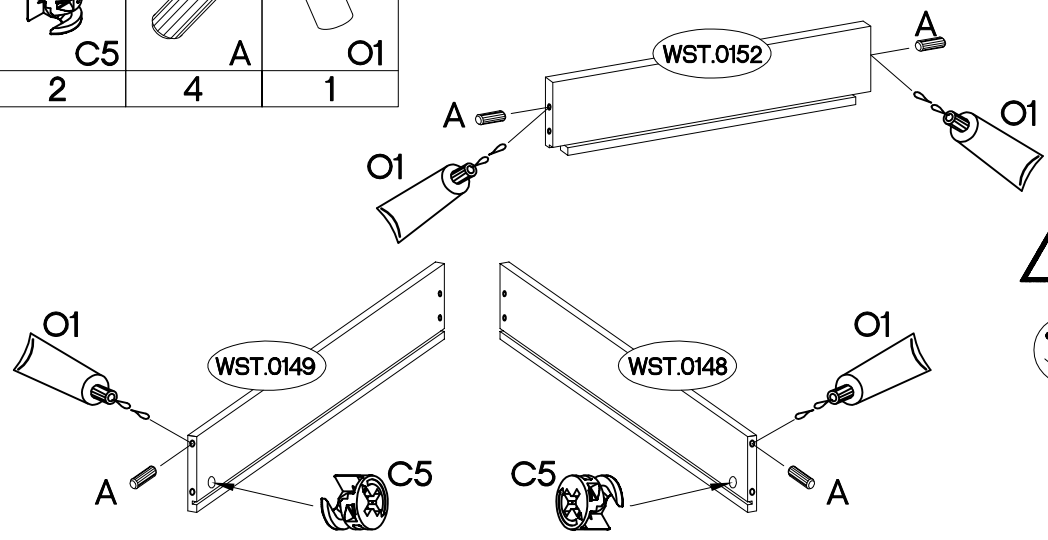
Colli	Ersatzteil Nummer	Dimension
Colli 1/2	FLA.101	702x480x16
	FLA.102	702x480x16
	FLA.208	1002x500x22
	FLA.209	1002x480x16
	FLA.301	475x443x16
	FLA.501	702x458x16
	FLA.601 x2	711x488x2.5
	FLA.603 x3	396x437x2.5
	FLA.903x3	428x95x16
	FLA.905	932x95x16

Colli	Ersatzteil Nummer	Dimension
Colli 1/2	WST.0148	400x100x12
	WST.0149	400x100x12
	WST.0150 x2	400x140x12
	WST.0151 x2	400x140x12
	WST.0152	427x100x12
	WST.0144 x2	427x140x12

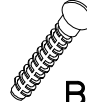

Colli	Ersatzteil Nummer	Dimension
Colli 2/2	FLA.701	713x496x16
	FLA.702	140x496x16
	FLA.703 x2	283x496x16

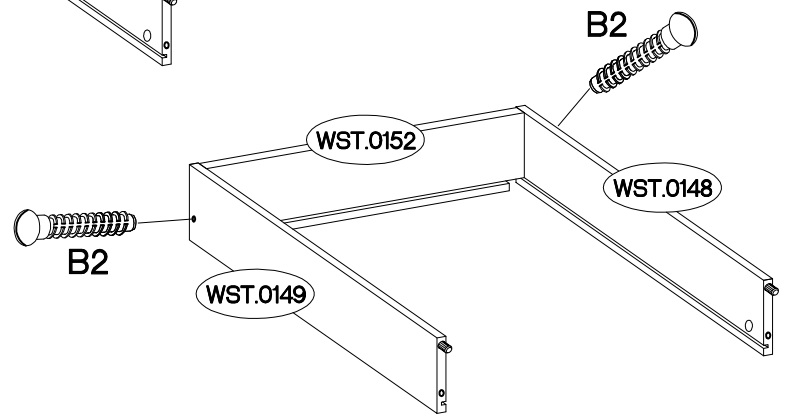
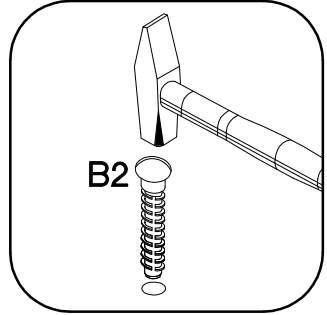
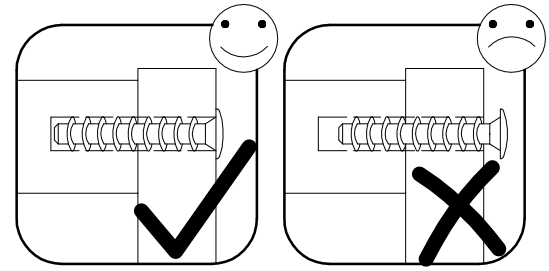
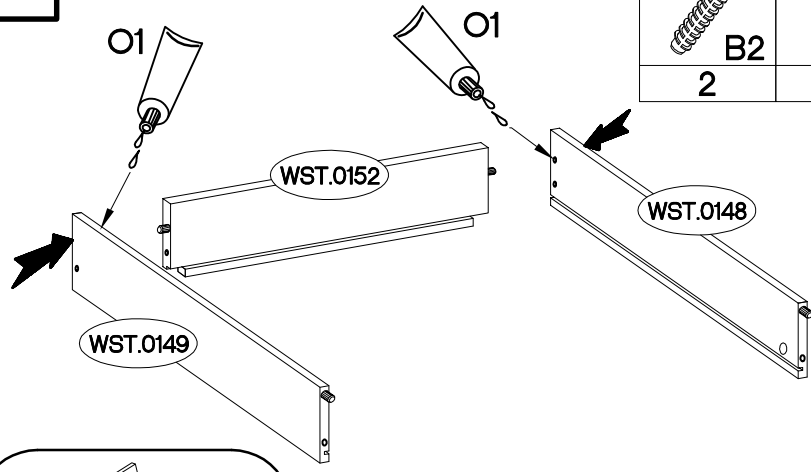
1

#12/10mm  C5 2	#8x30mm  A 4	 O1 1
---	---	---




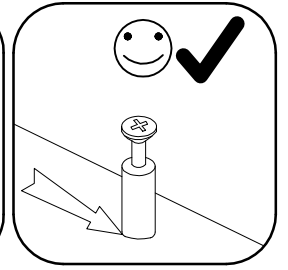
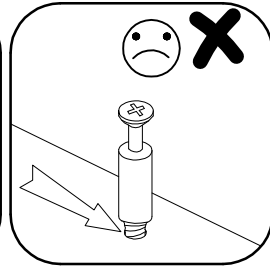
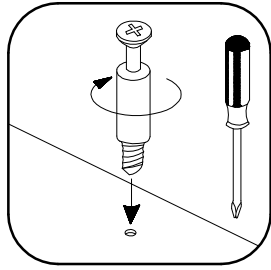
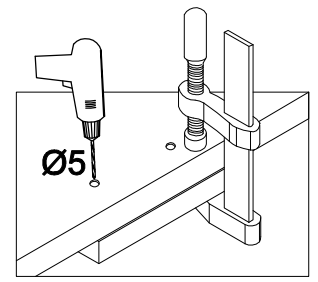
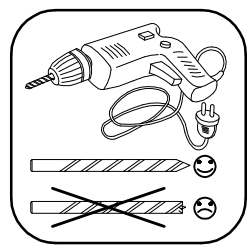
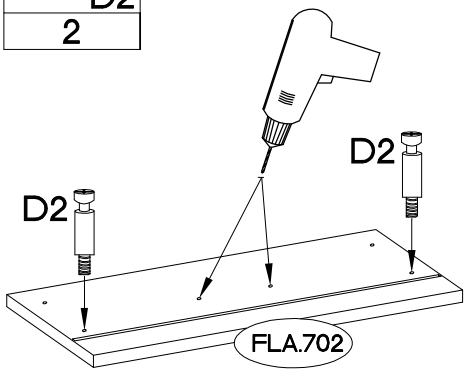
2

#6x42mm  B2 2	 O1 1
---	--

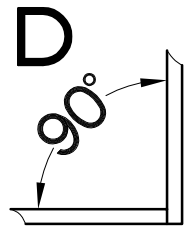
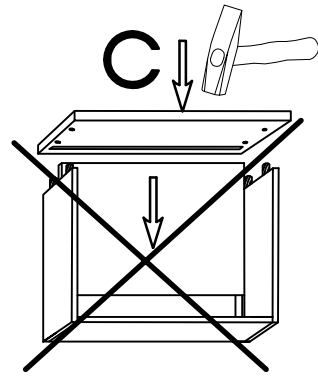
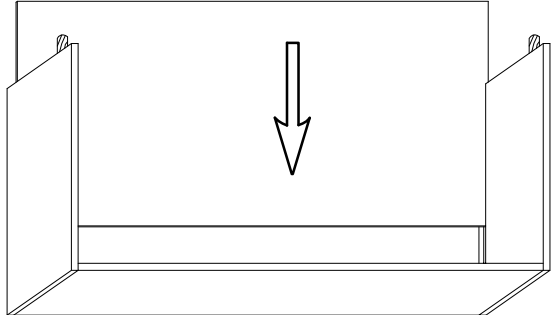
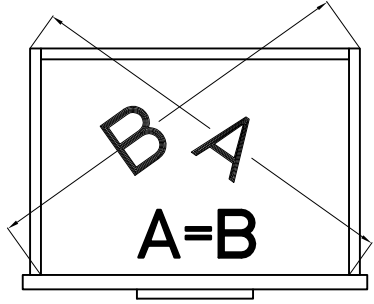
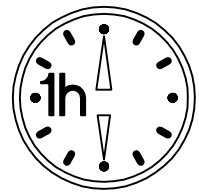
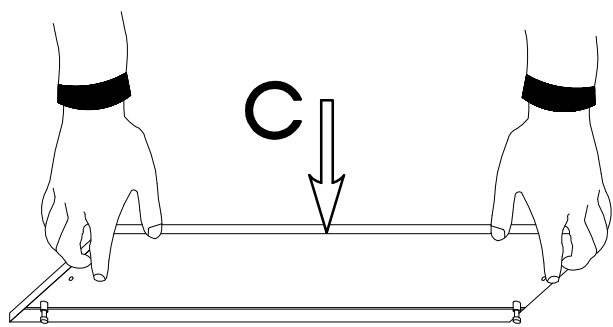
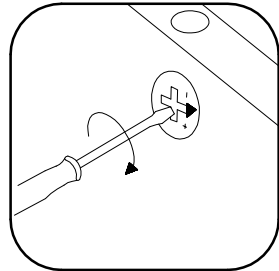
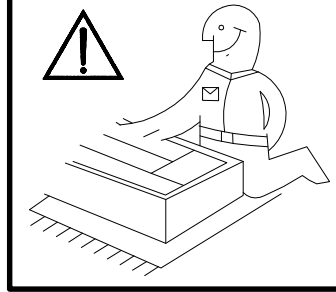
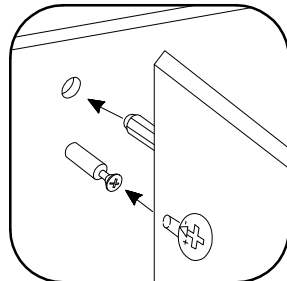
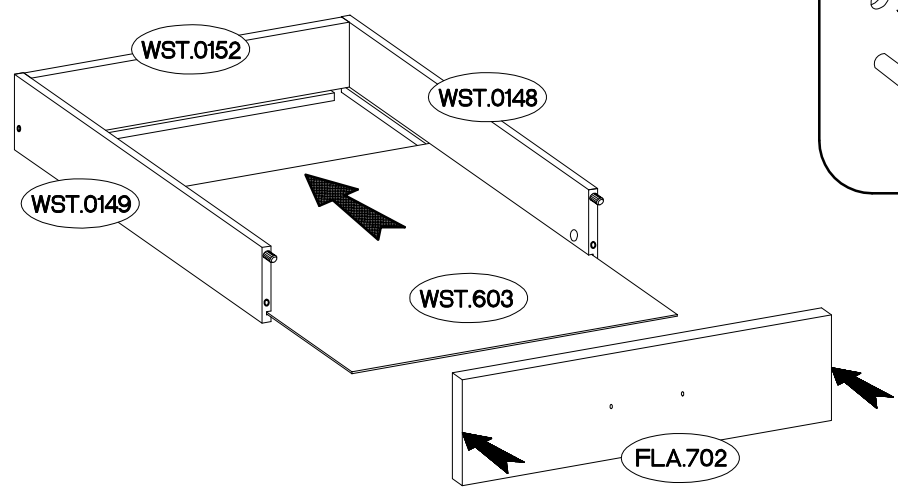


3

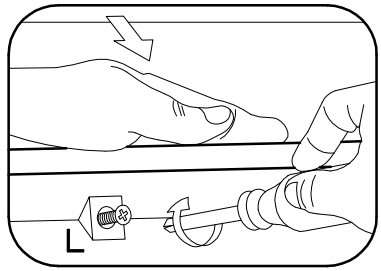
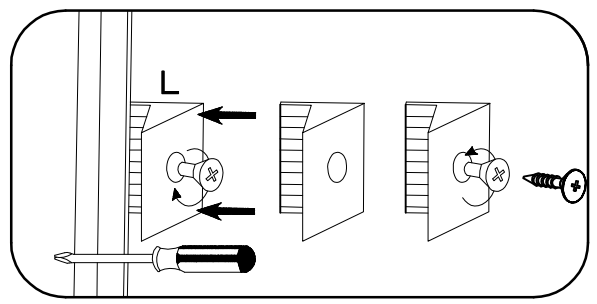
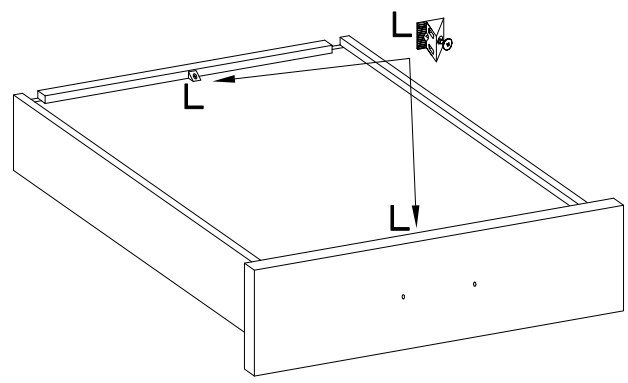
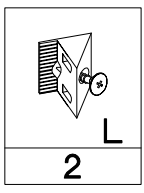
L=20mm  D2 2
--



4


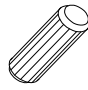



5

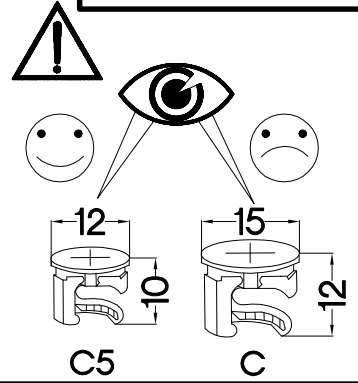
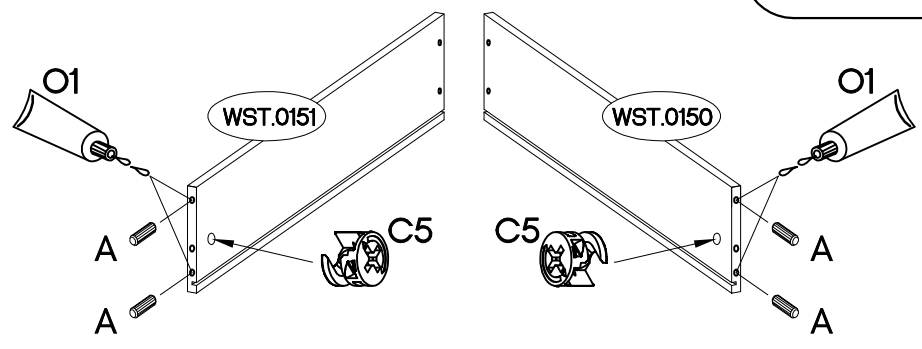
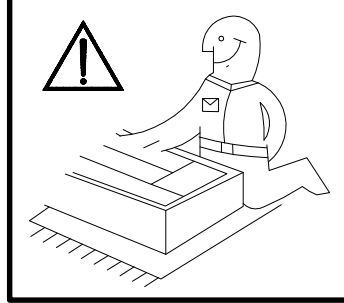
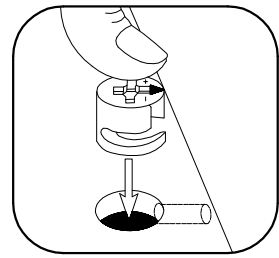





6

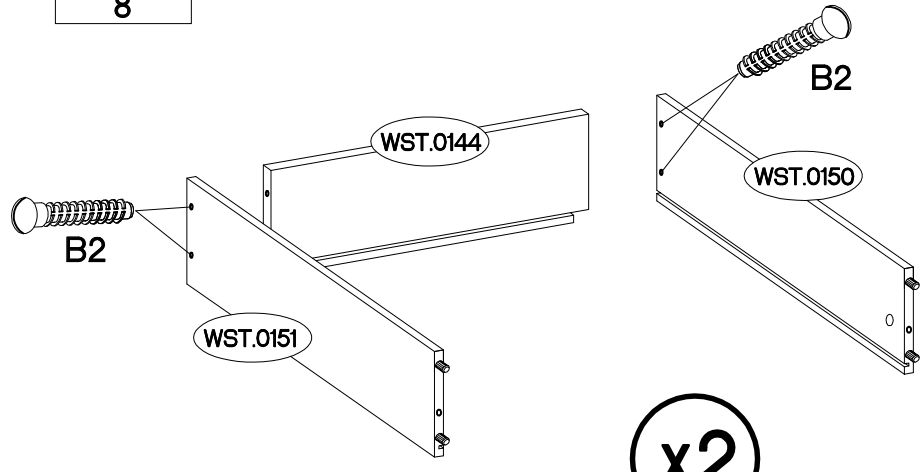
±12/10mm  C5 4	±8x30mm  A 8	 O1 1
---	---	---

x2

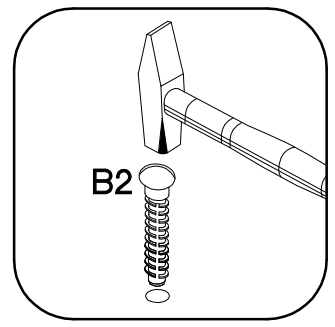
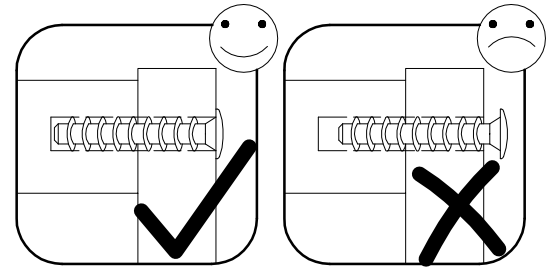


7


±6x42mm  B2 8
---



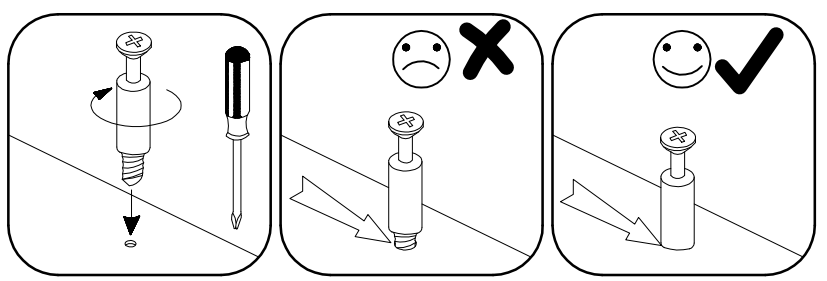
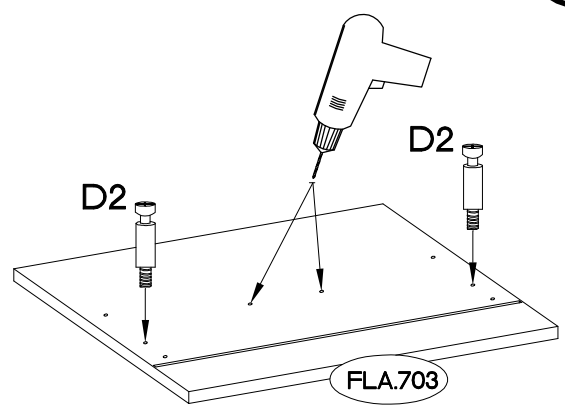
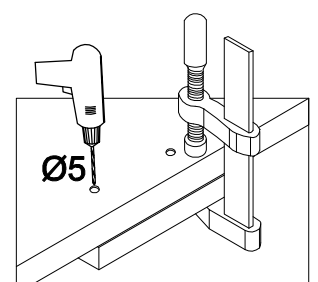
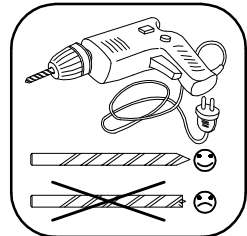
x2



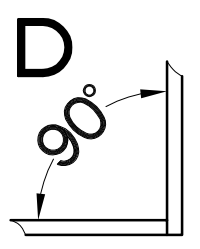
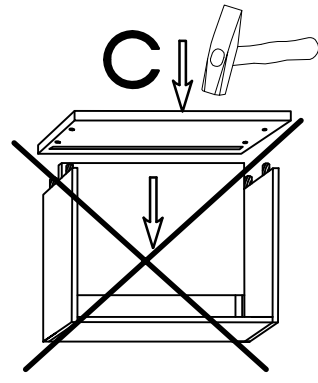
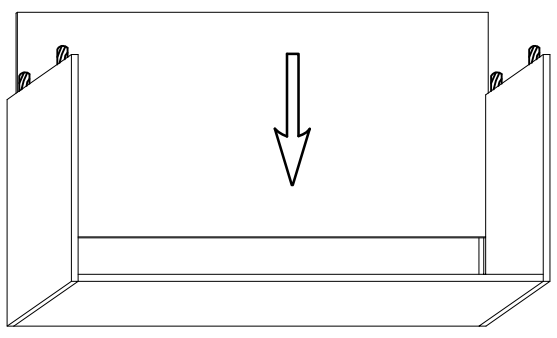
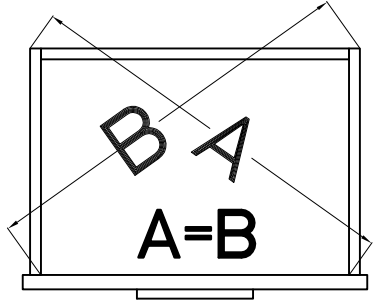
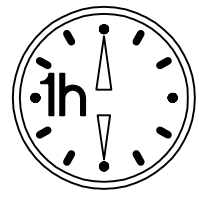
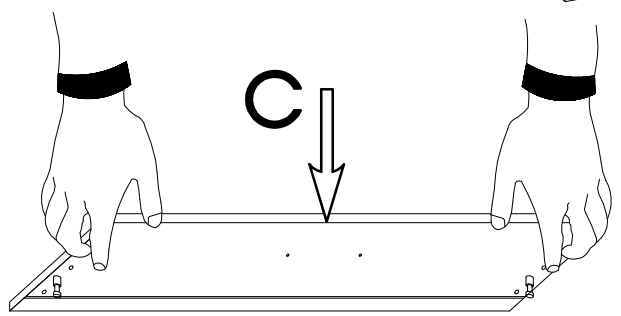
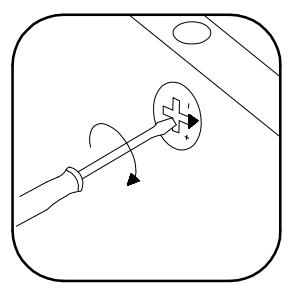
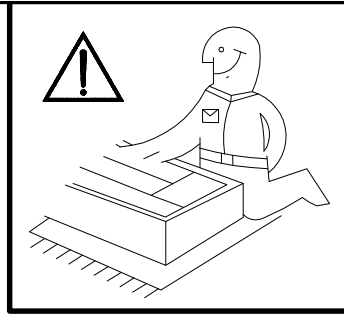
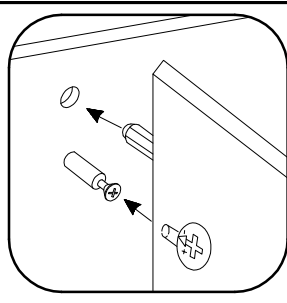
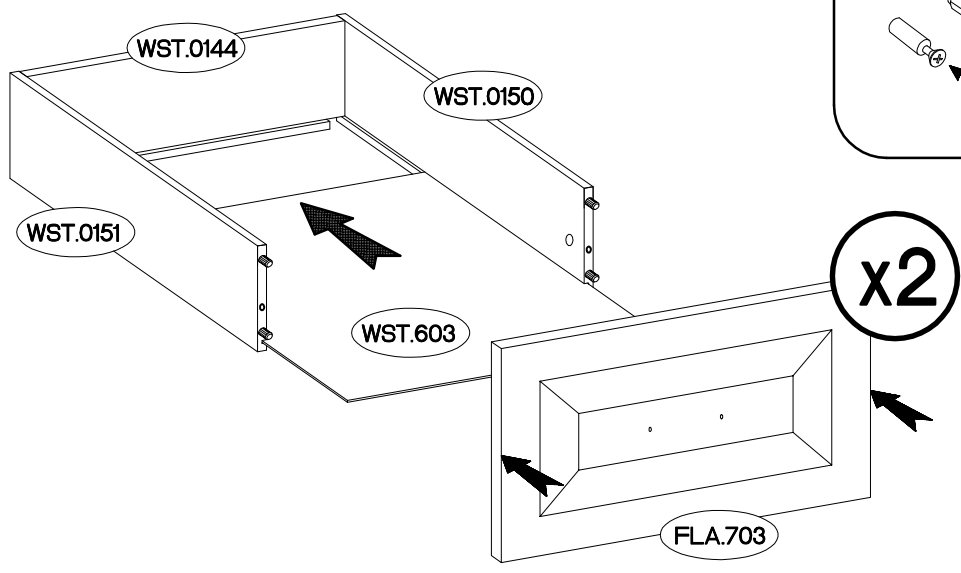
8

L=20mm  D2 4
--

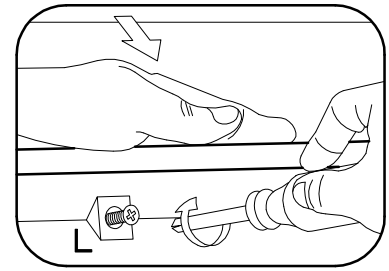
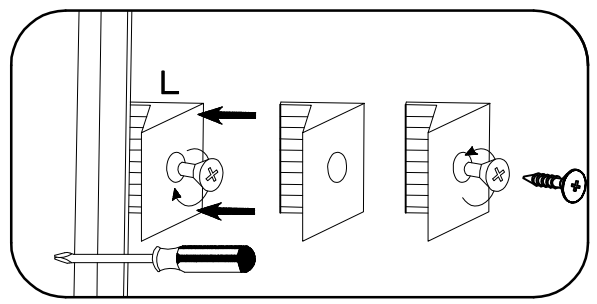
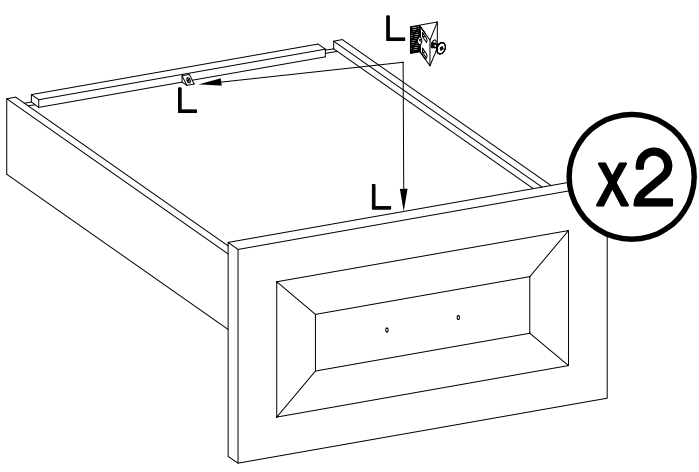
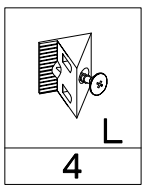
x2

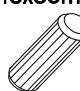

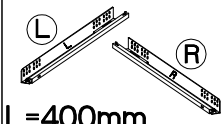


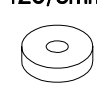


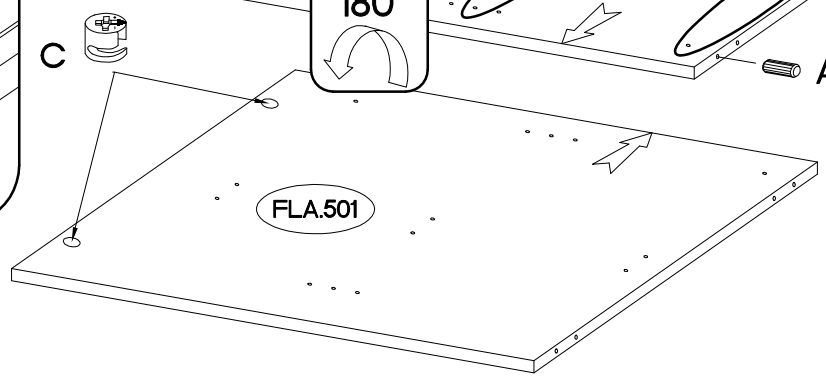
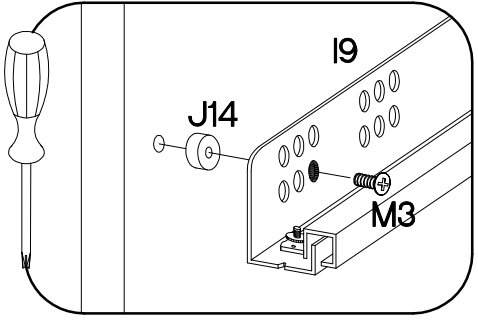
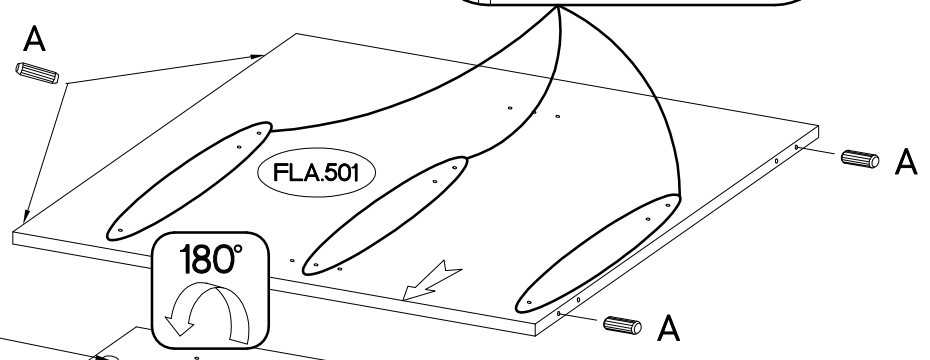
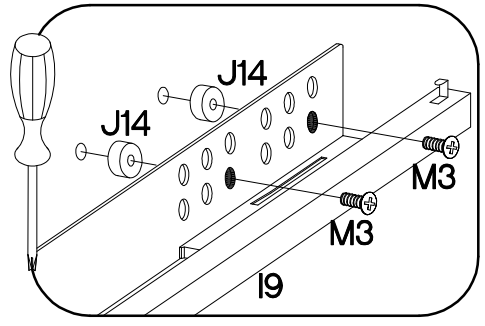
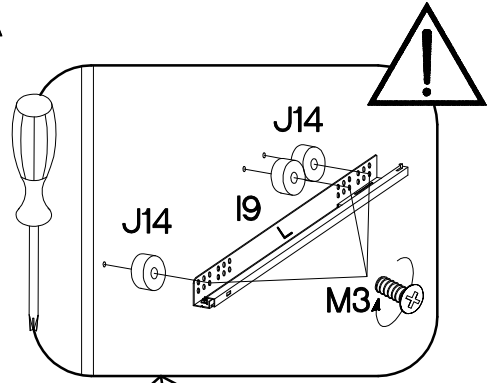
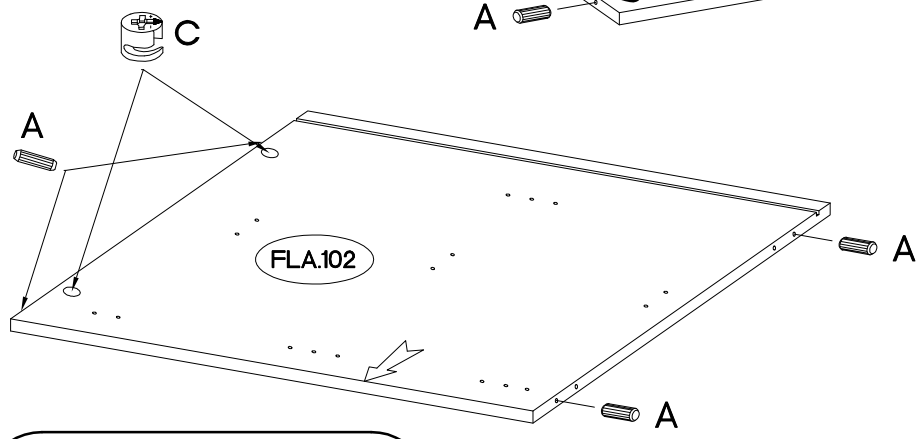
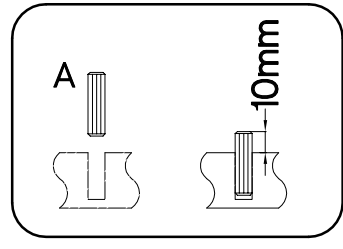
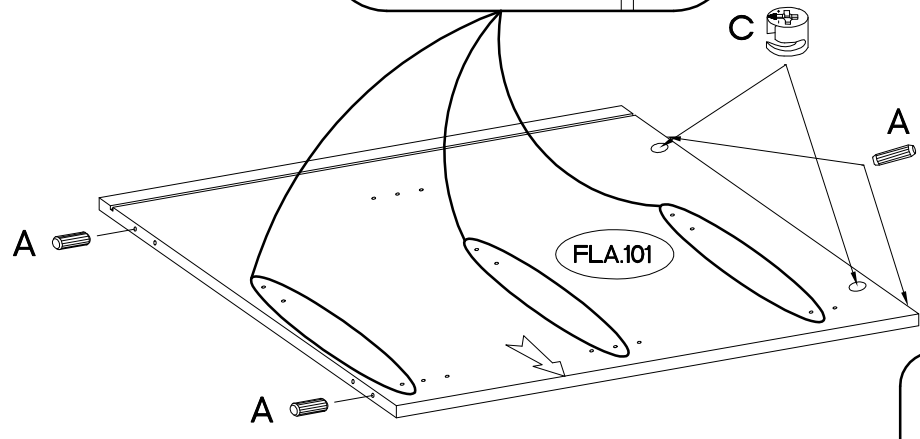
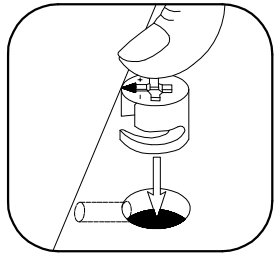
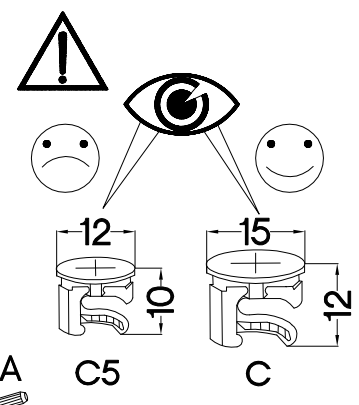
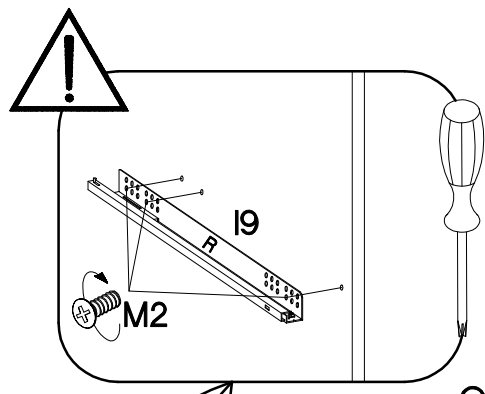
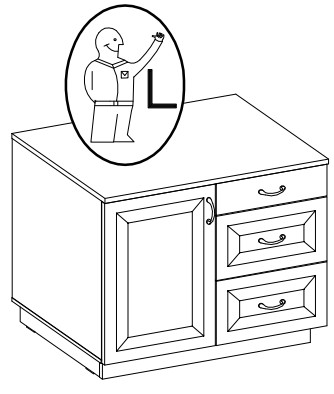
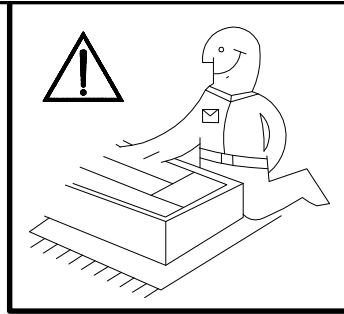
9



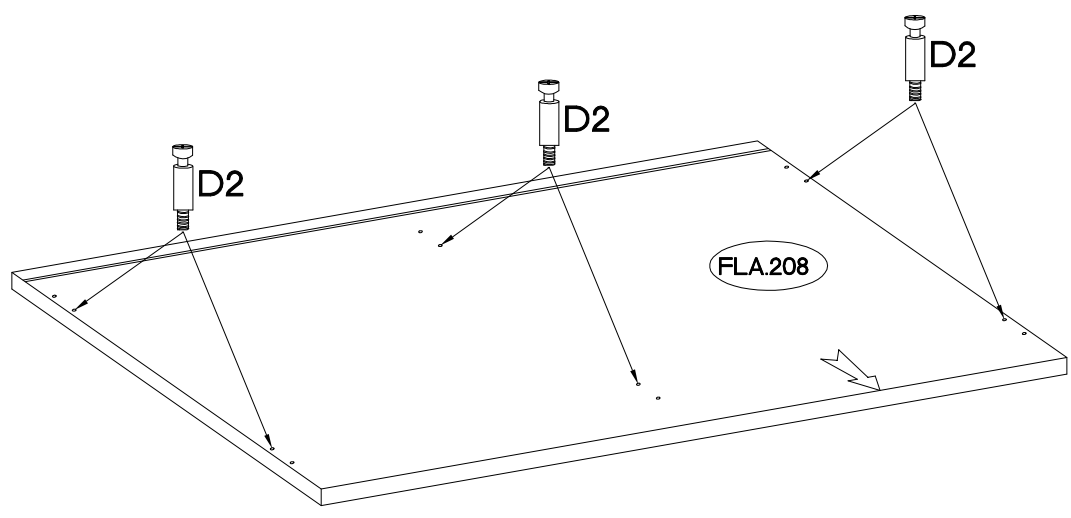
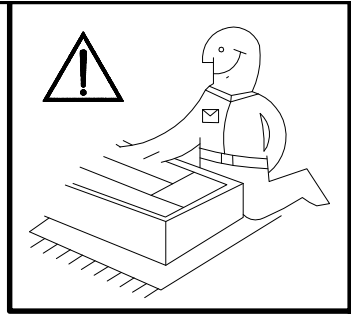
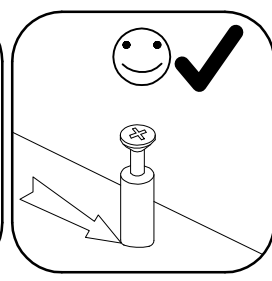
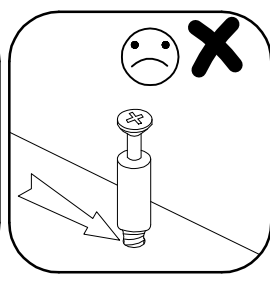
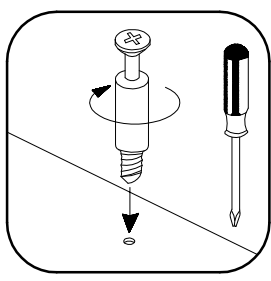
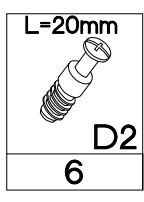
10



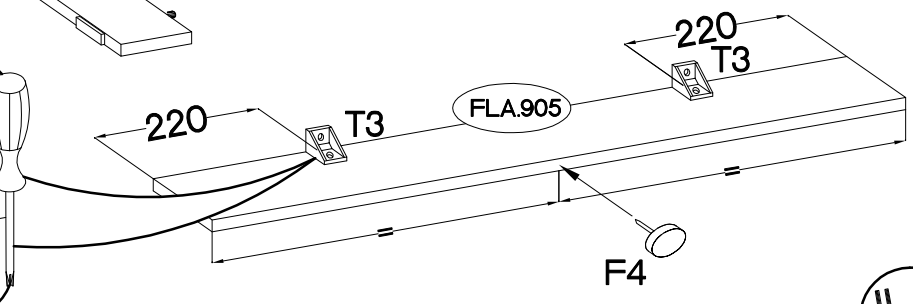
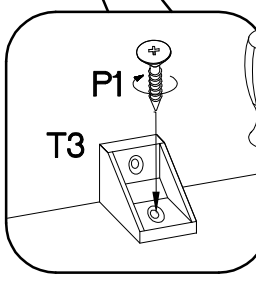
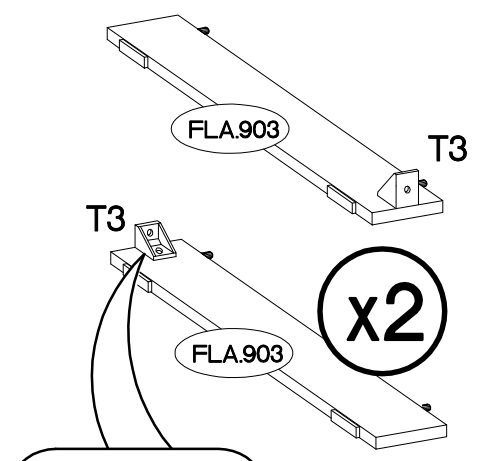
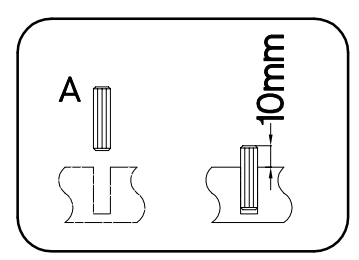
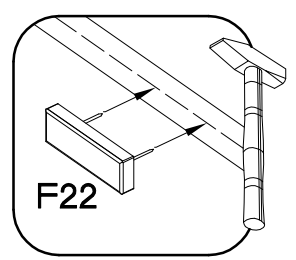
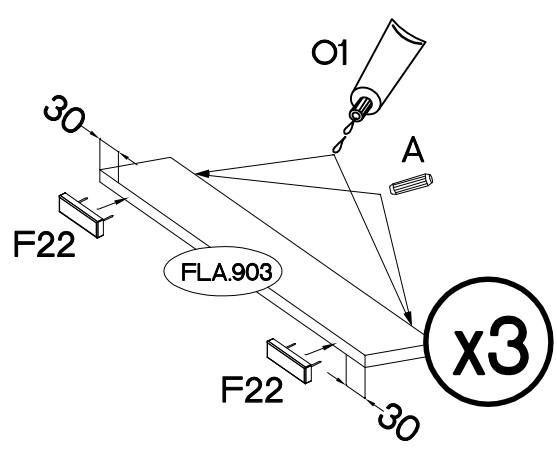
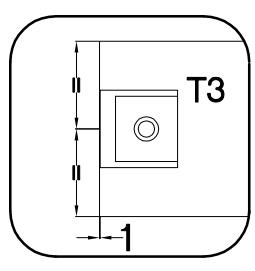
$\pm 8 \times 30 \text{mm}$  A 12	$\pm 15/12 \text{mm}$  C 6	$L=400 \text{mm}$  I9 3	$\pm 6.3 \times 13 \text{mm}$  M2 9	$\pm 6.3 \times 20 \text{mm}$  M3 9	$\pm 20/8 \text{mm}$  J14 9
--	---	--	--	--	---



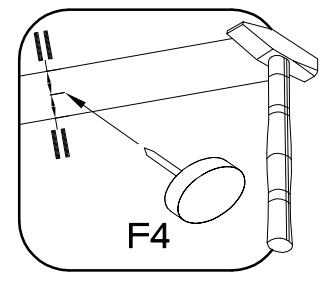
# 12



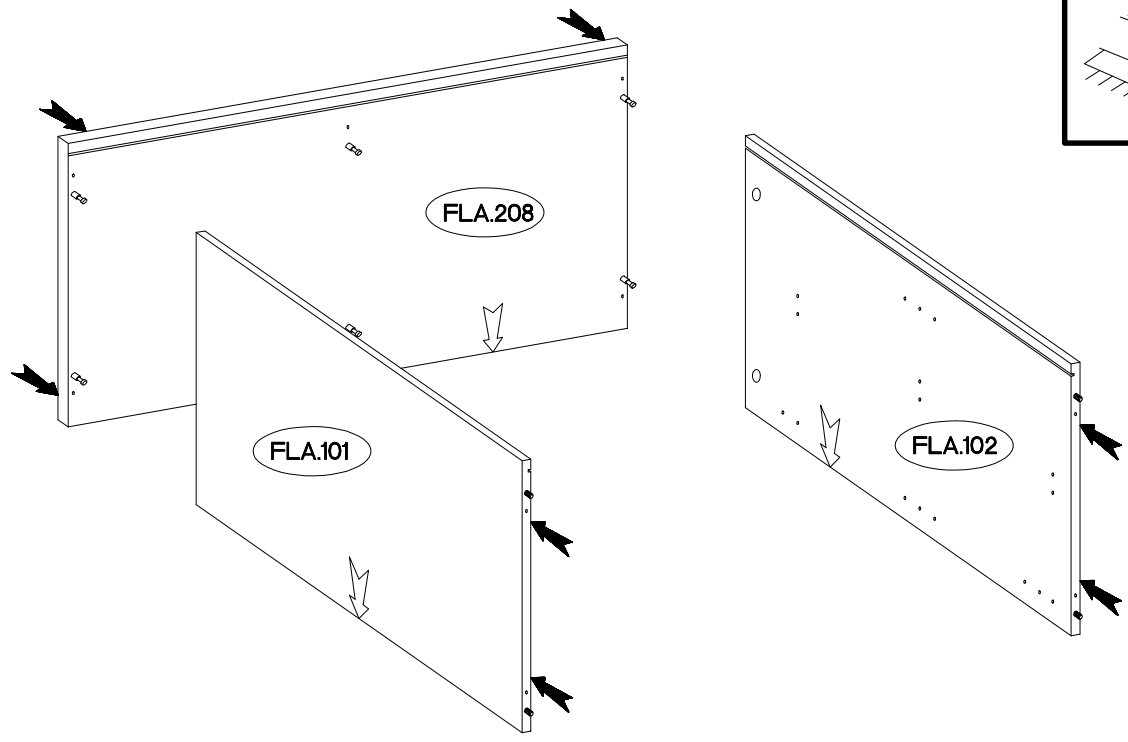
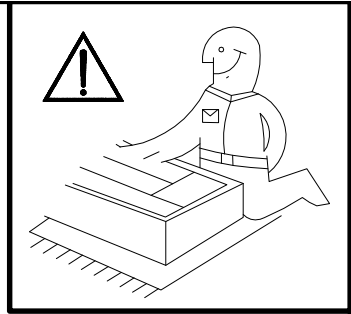
# 13



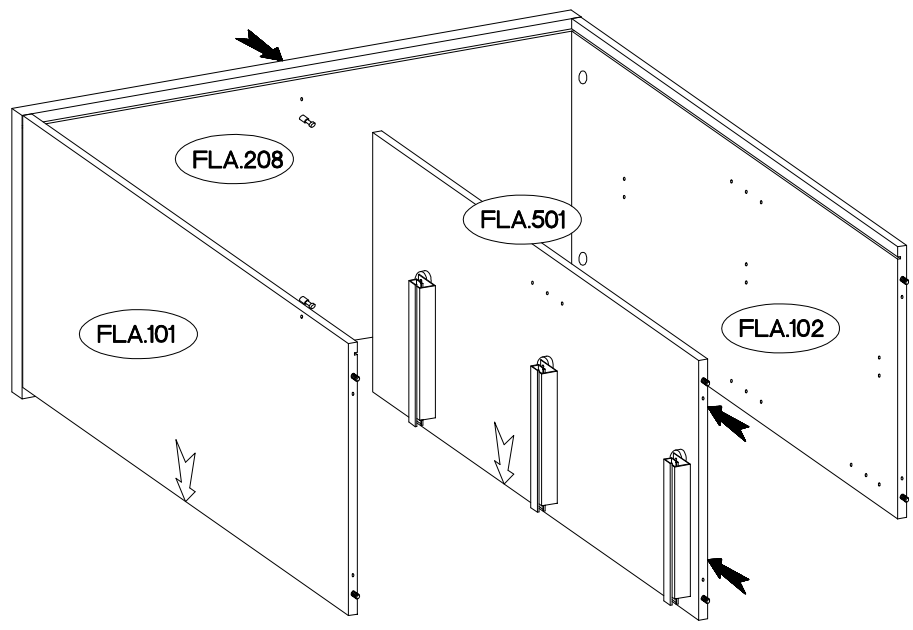
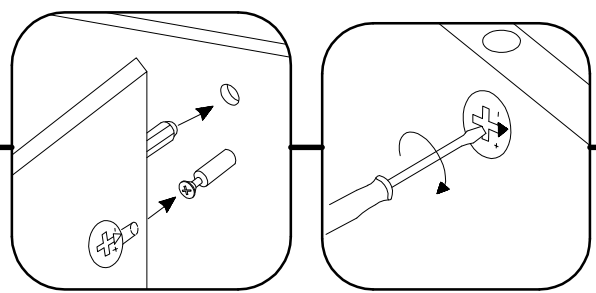
	$\pm 4.0 \times 16 \text{mm}$	$6.5 \times 48 \times 16$	$\pm 15 \times 5 \text{mm}$		$\pm 8 \times 30 \text{mm}$
T3	P1	F22	F4	O1	A
5	5	6	1	1	6

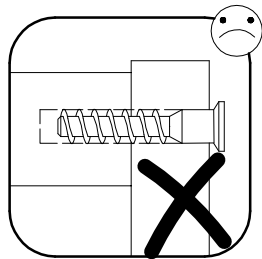
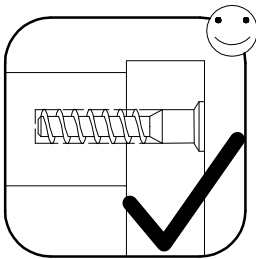
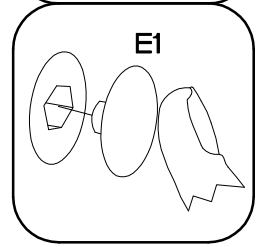
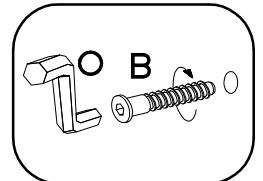
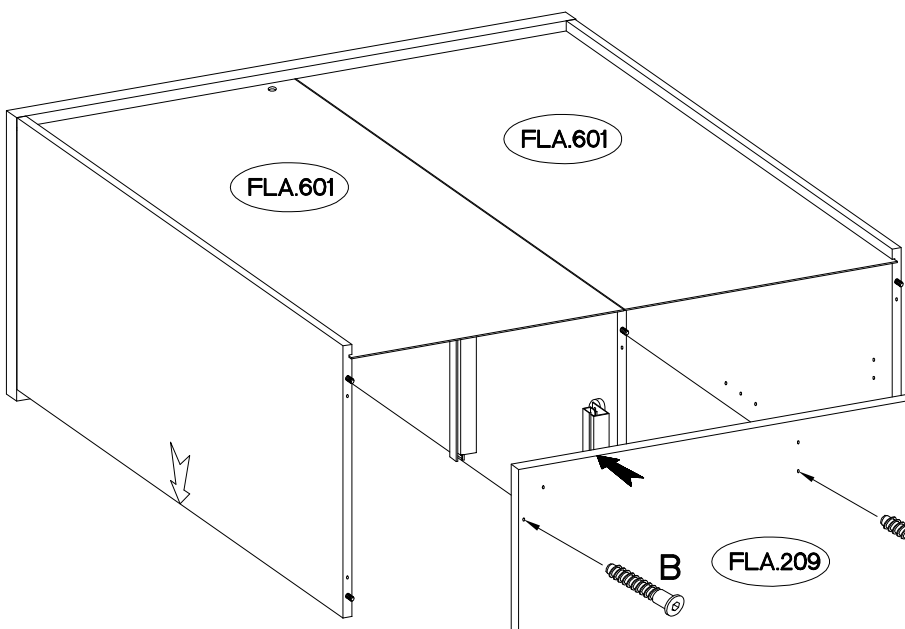
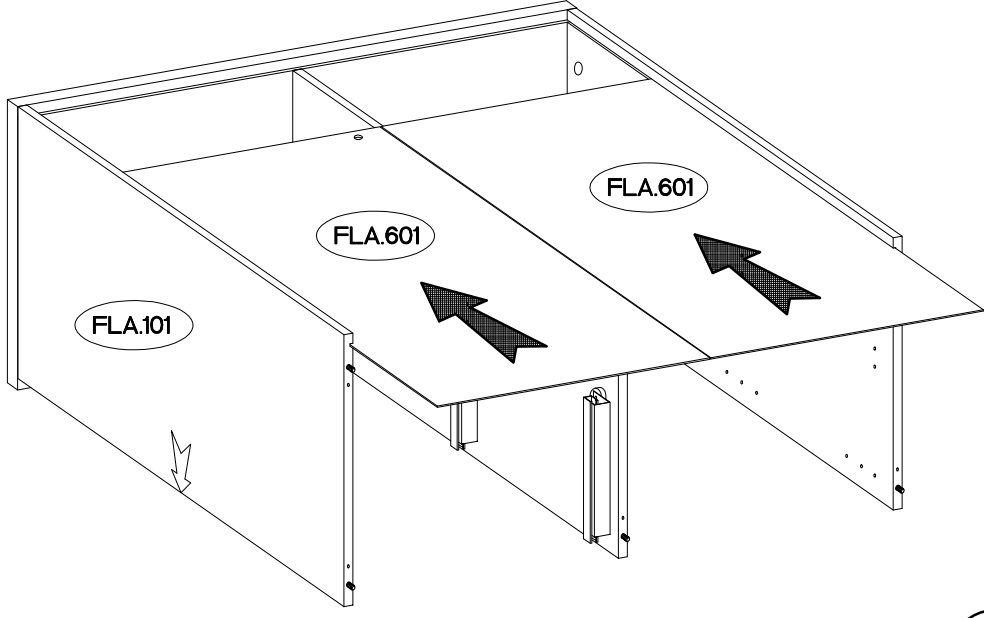
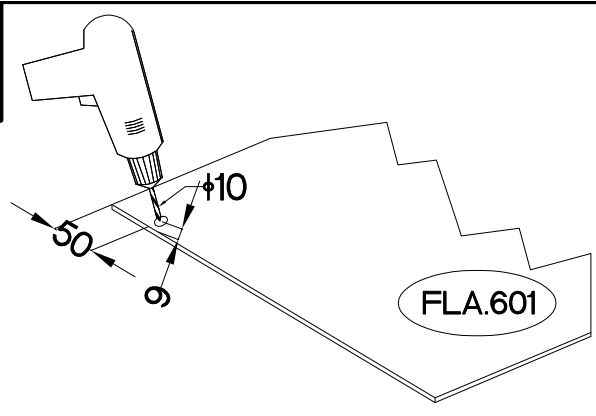
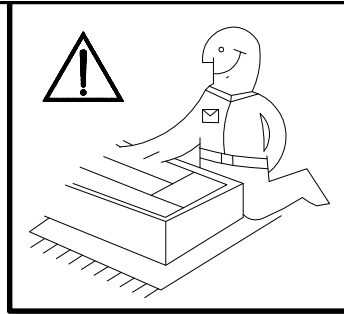


14



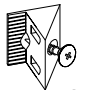

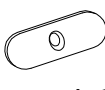
15

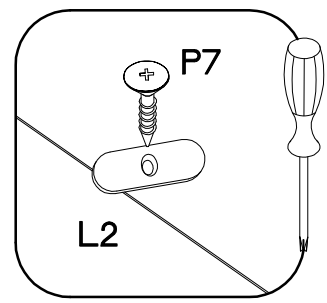
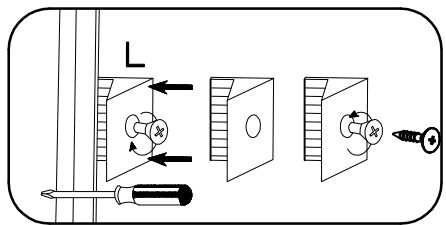
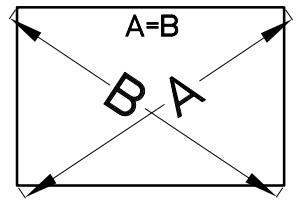
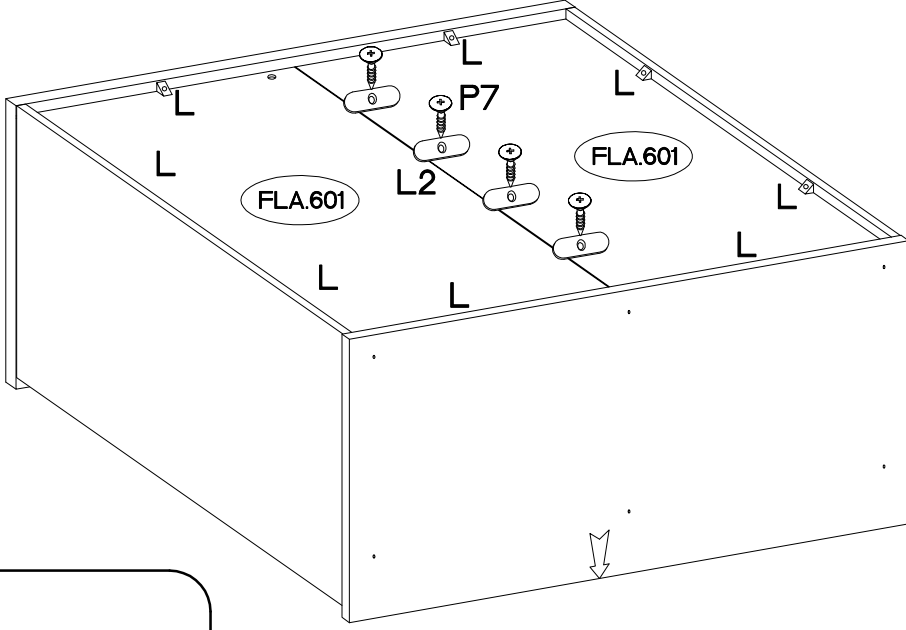
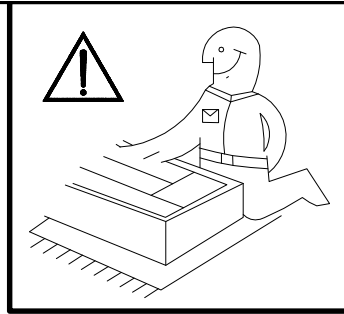





6,4 x 50mm		
6	1	4

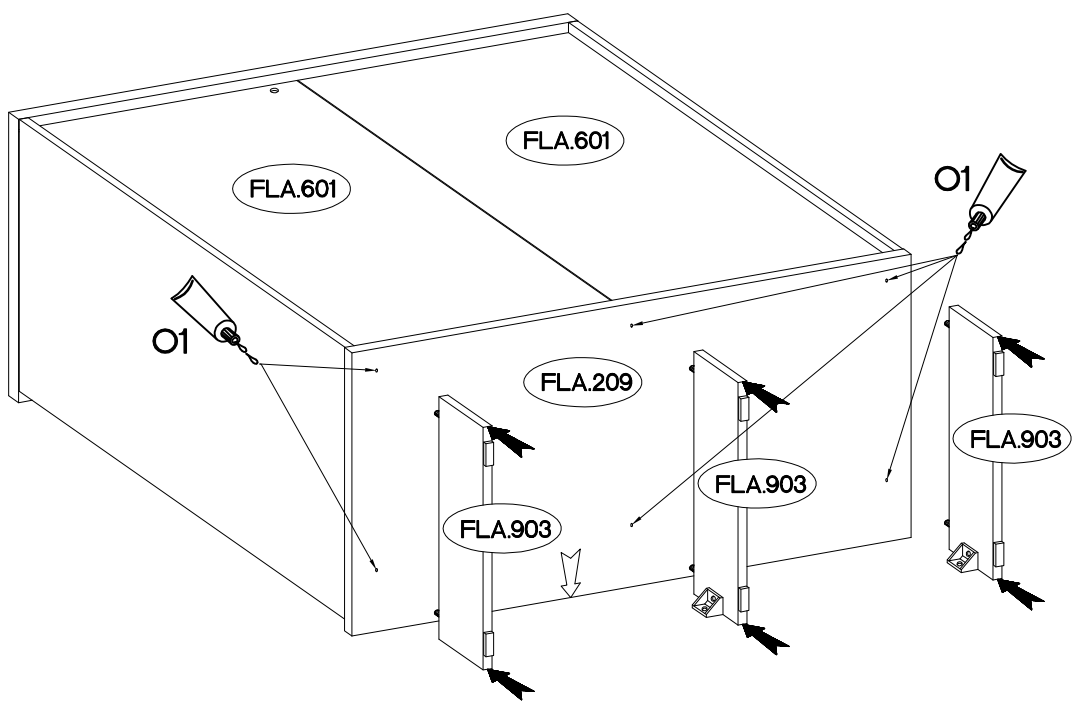
# 17

 L	 P7 +3.0x20mm	 L2
8	4	4

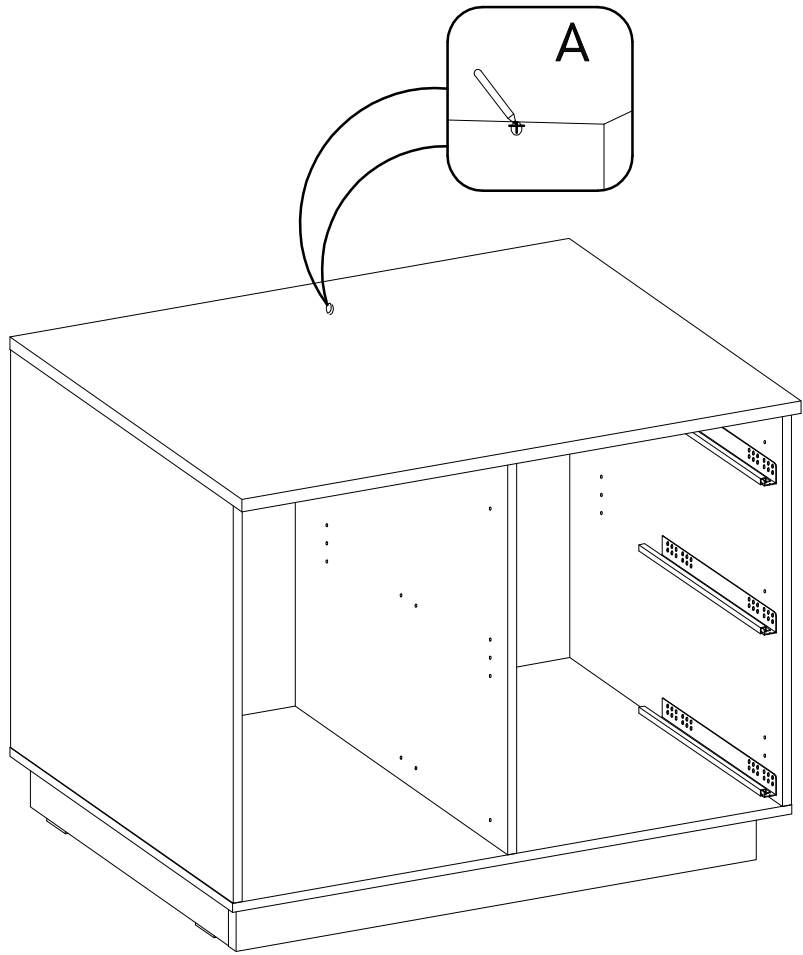
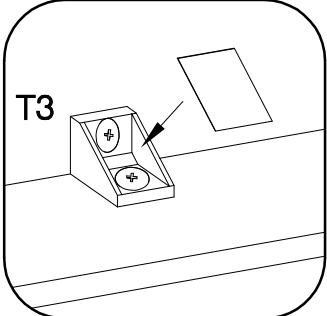
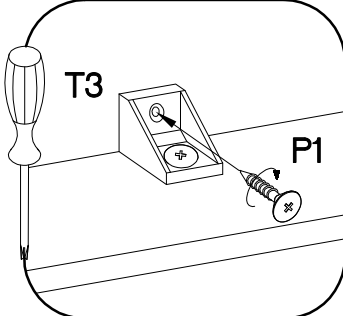
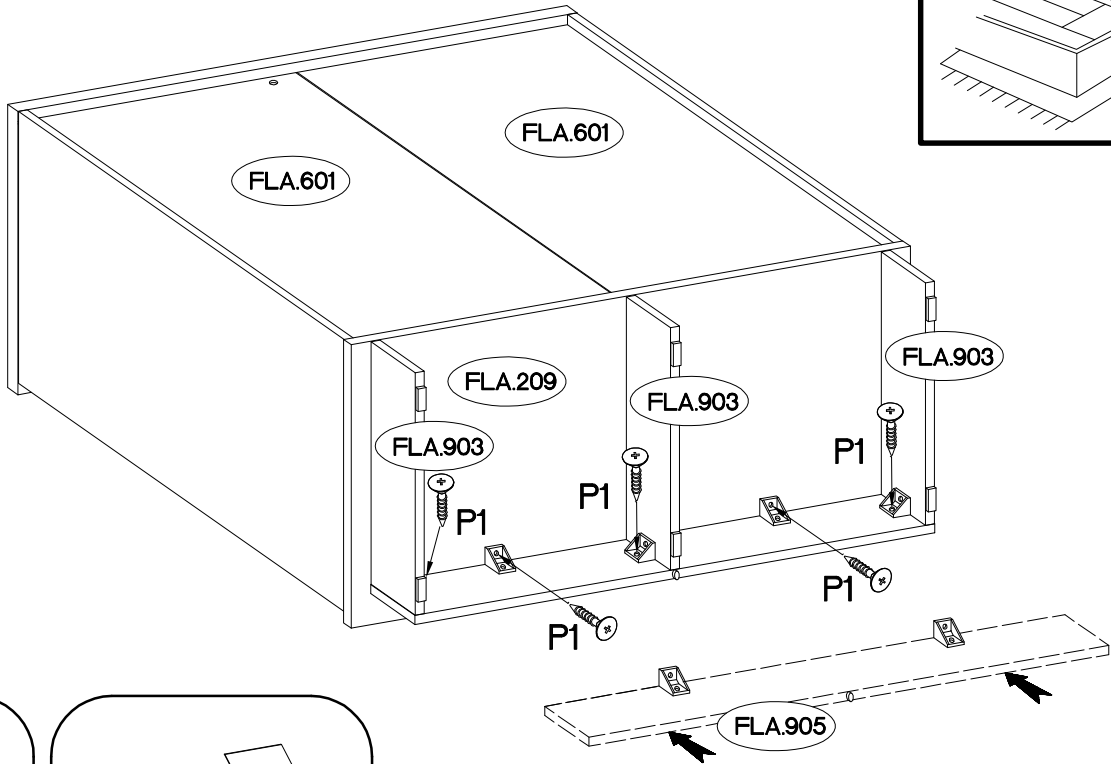
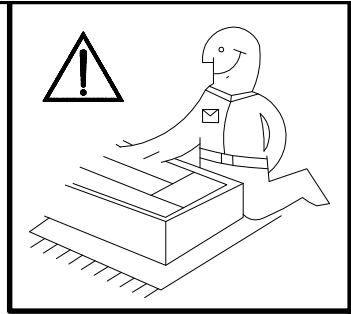


# 18

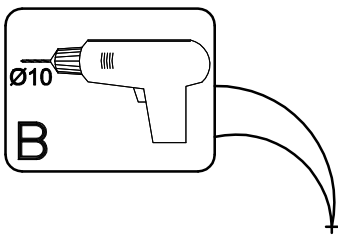
 O1
1



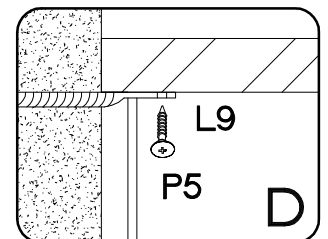
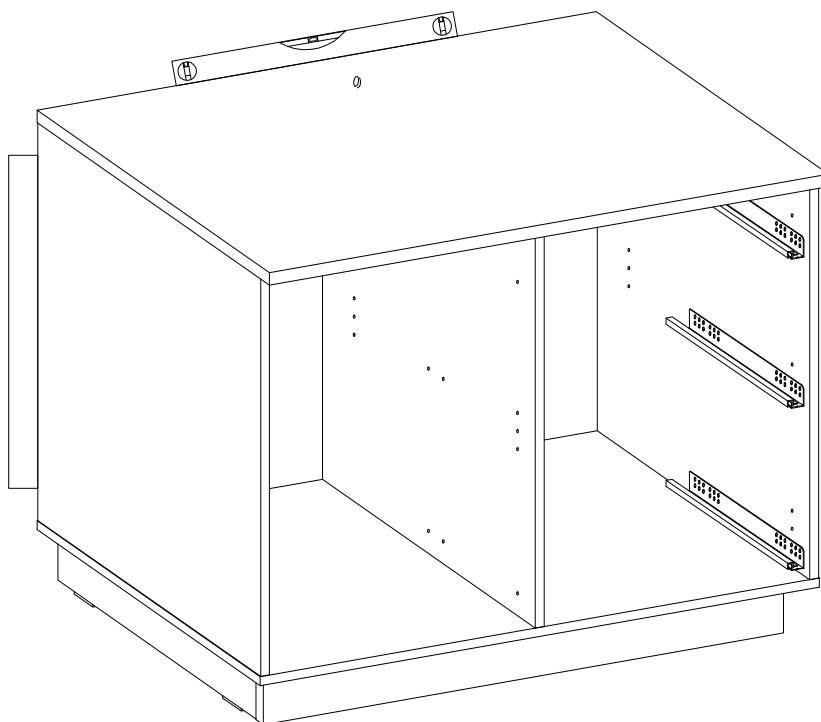
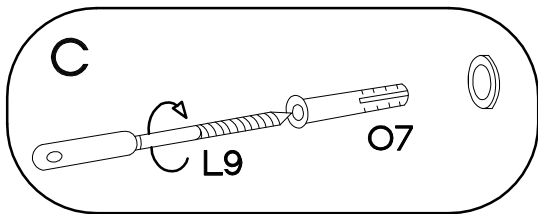
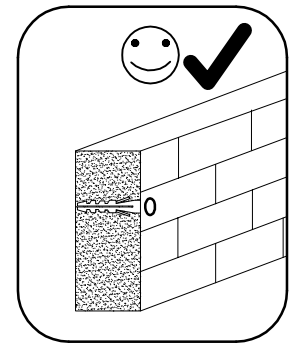
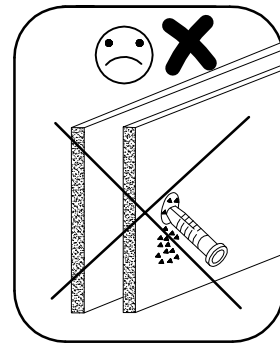
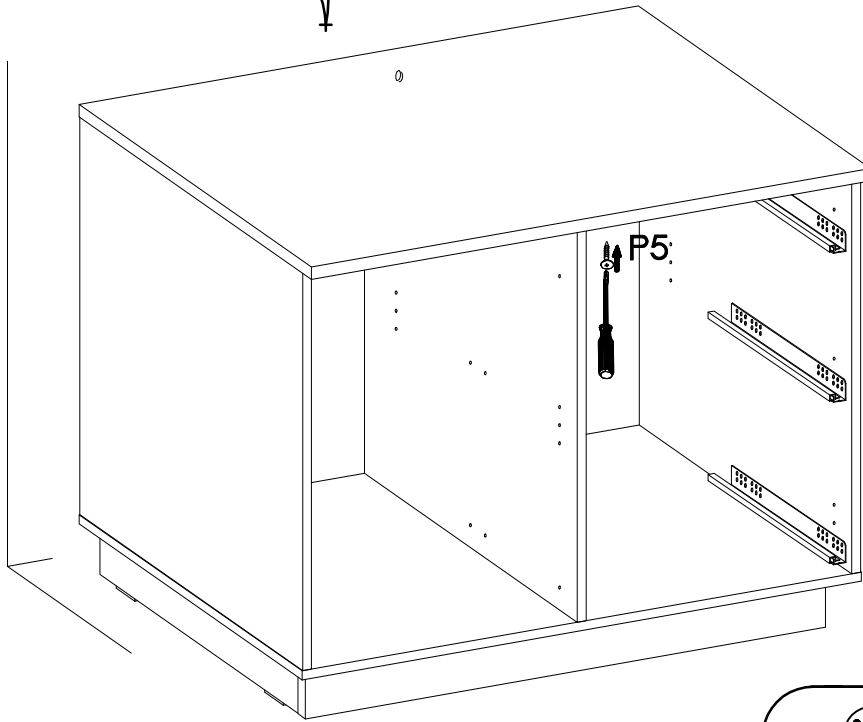
4.0x16mm  
P1  
5



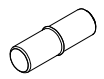



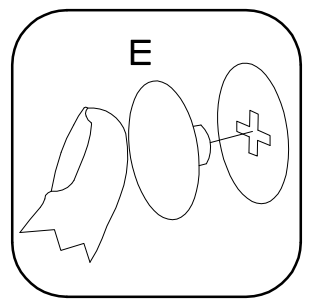
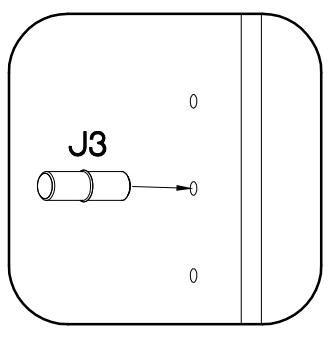
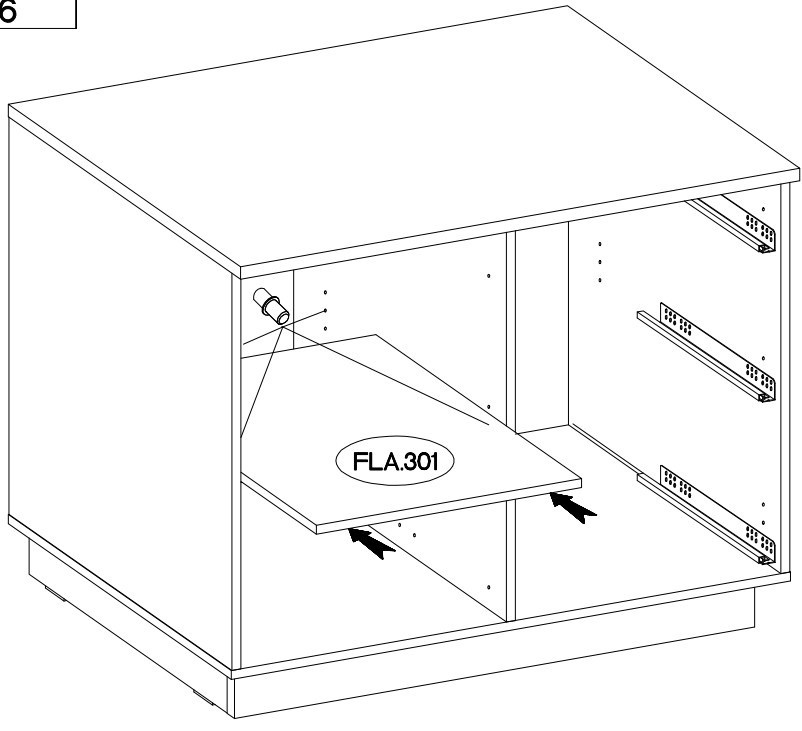


$\pm 10 \times 50 \text{mm}$  <b>O7</b> 1	$\pm 3.5 \times 13 \text{mm}$  <b>L9</b> 1	$\pm 3.5 \times 13 \text{mm}$  <b>P5</b> 1
--	---	---

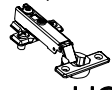



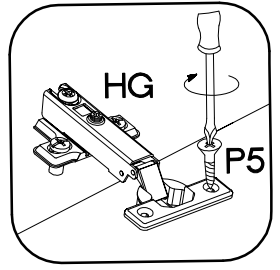
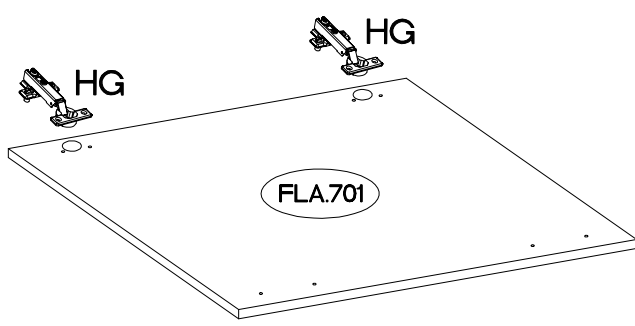
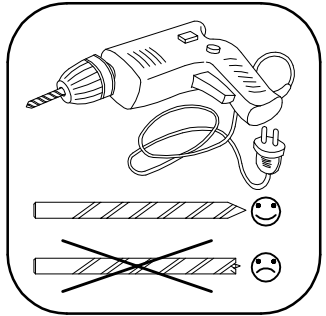
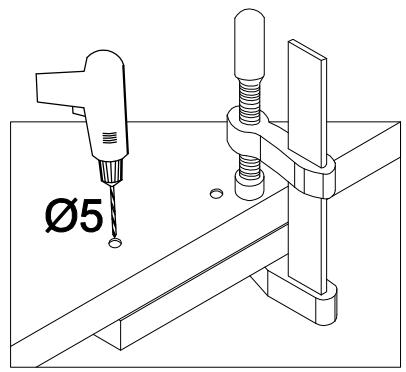
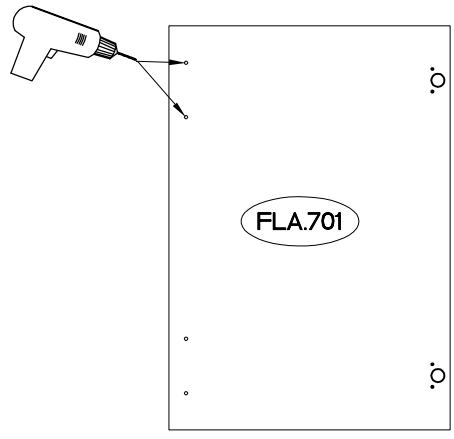
# 21

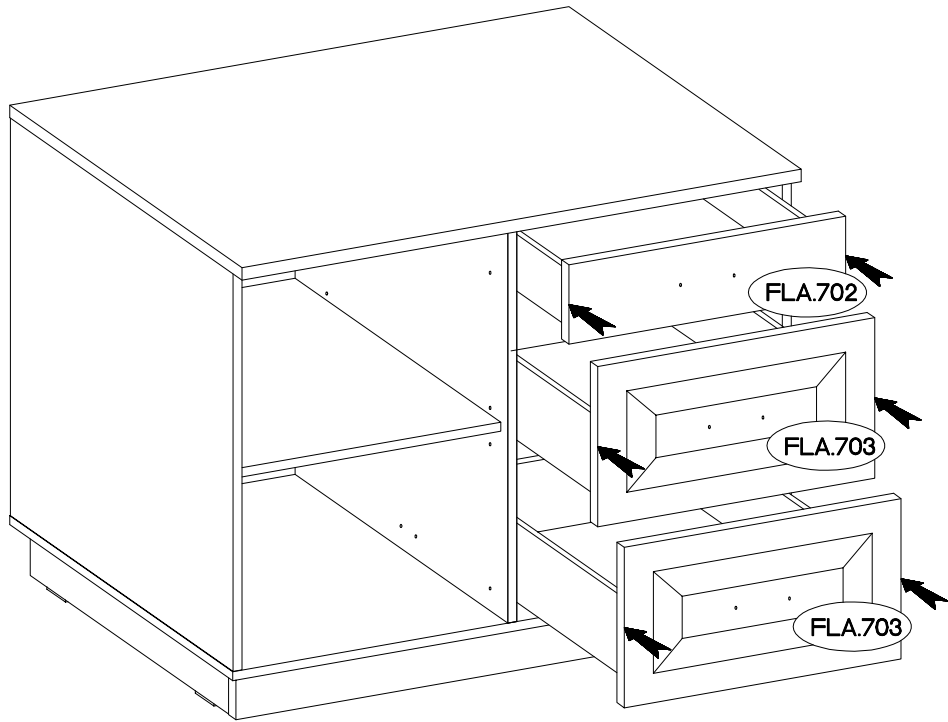
$\pm 5/16\text{mm}$  J3 4	 E 6
--	--



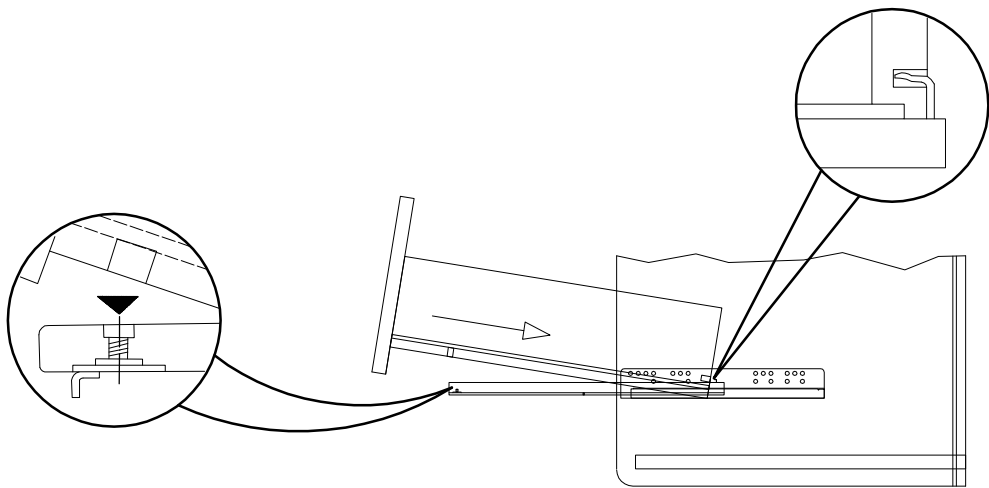
# 22

$\pm 35/0\text{mm}$  HG 2	$\pm 3.5 \times 13\text{mm}$  P5 4
---	--

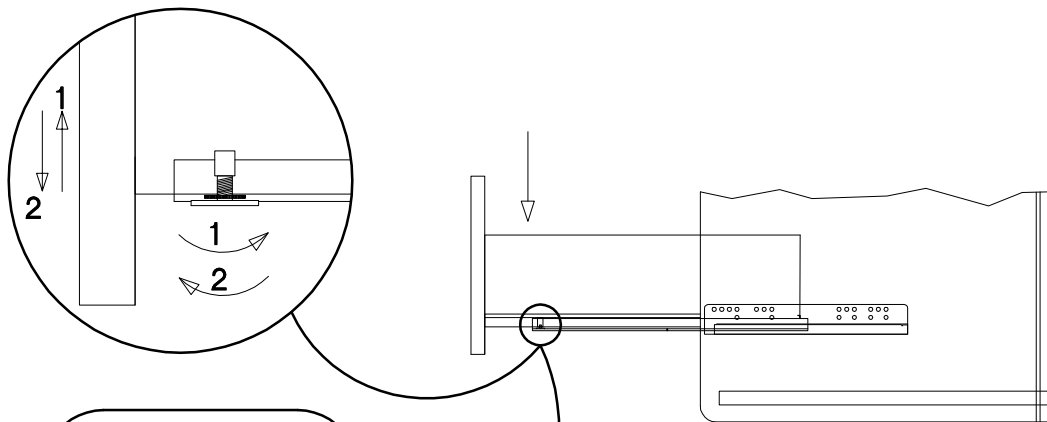




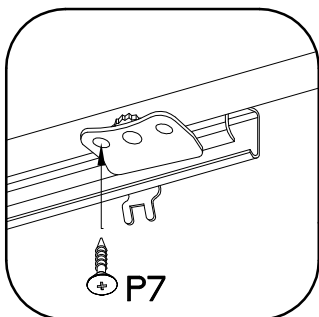
1.





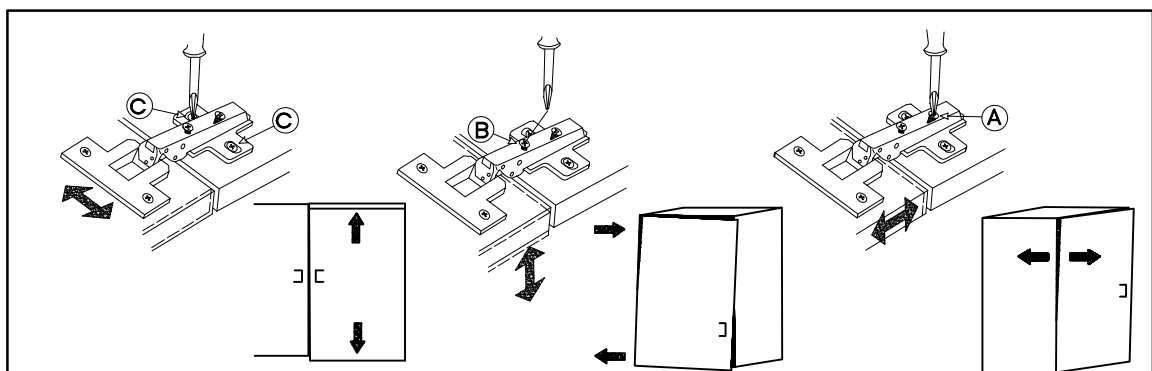
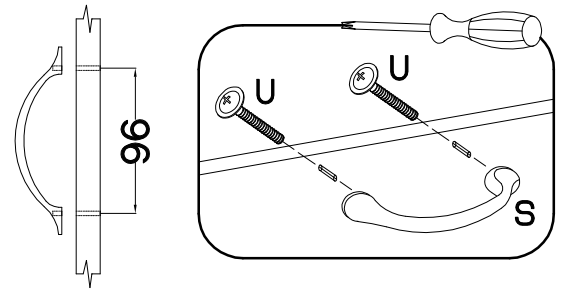
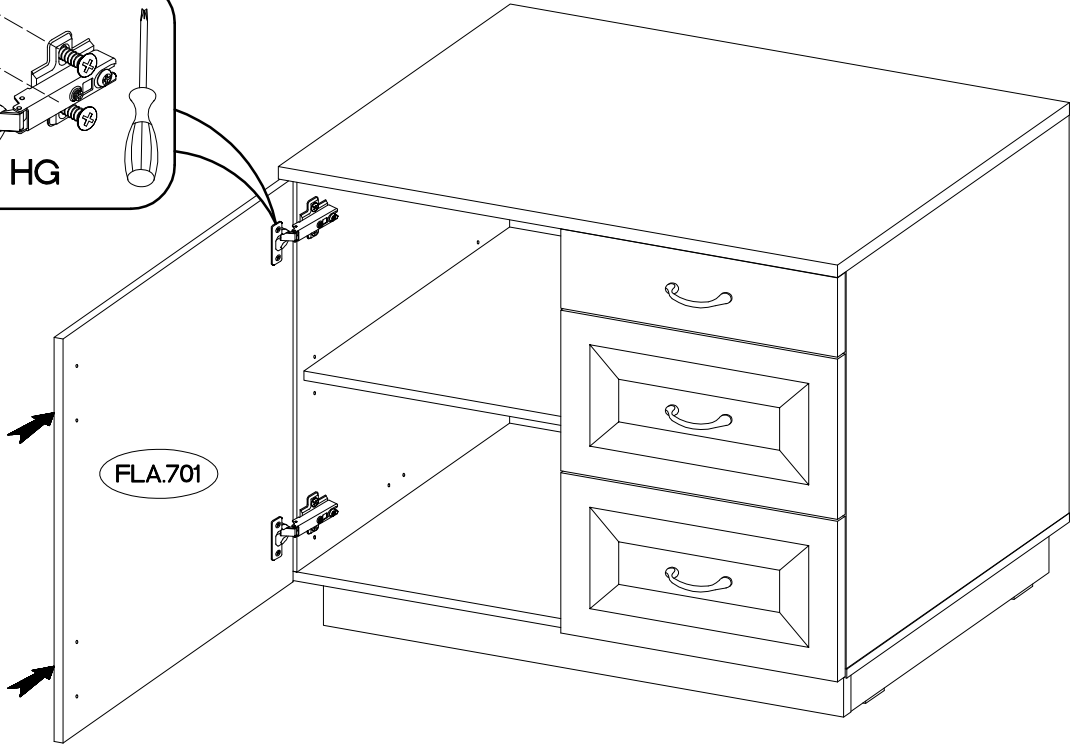
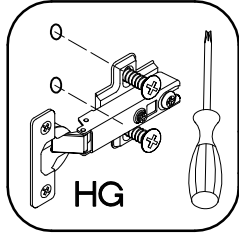
2.

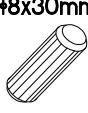

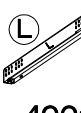



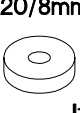


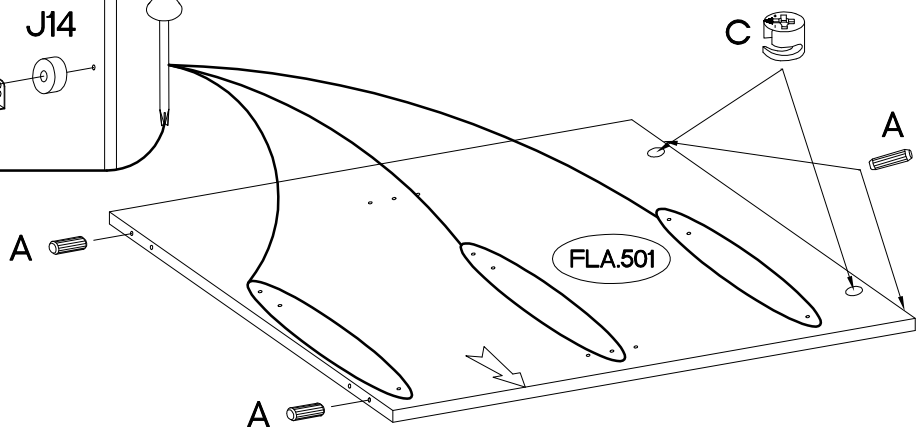
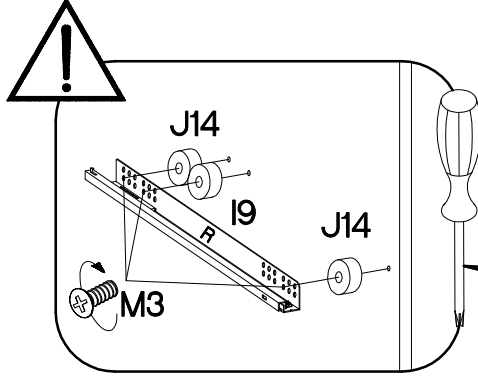
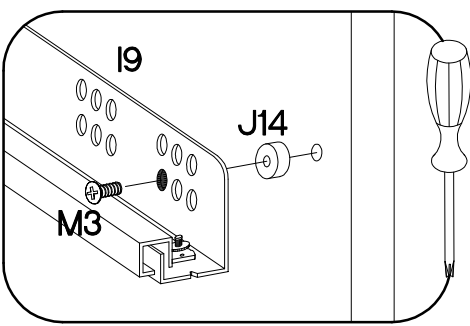
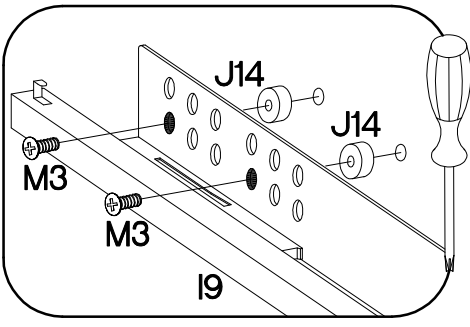
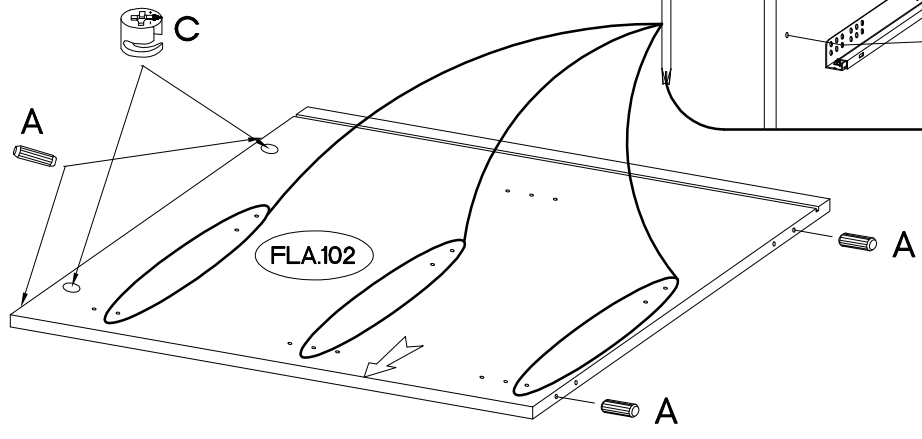
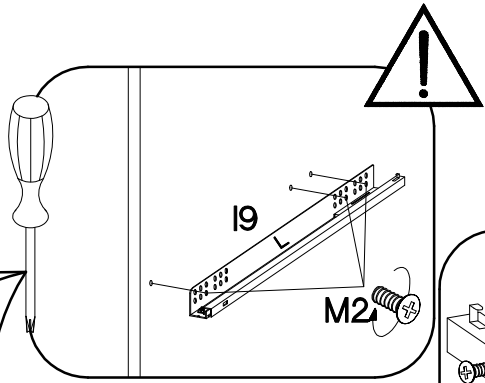
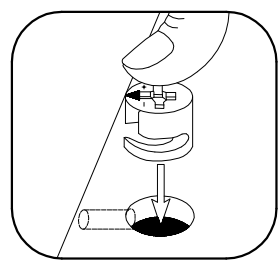
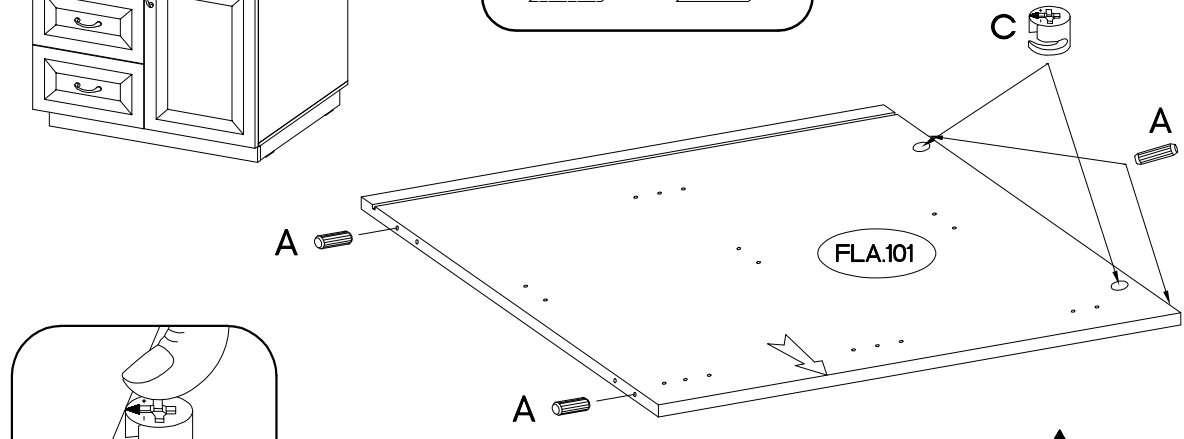
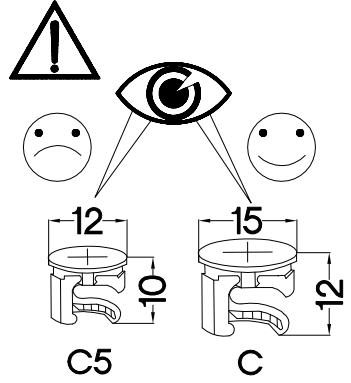
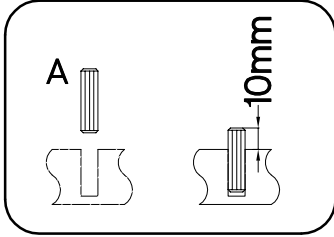
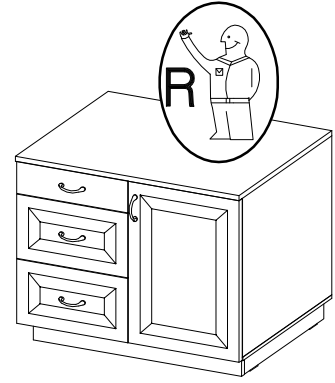
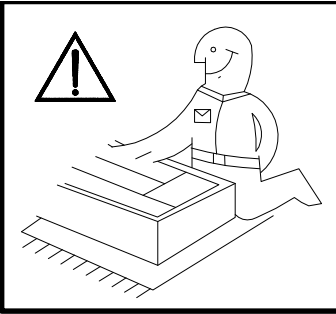
3.



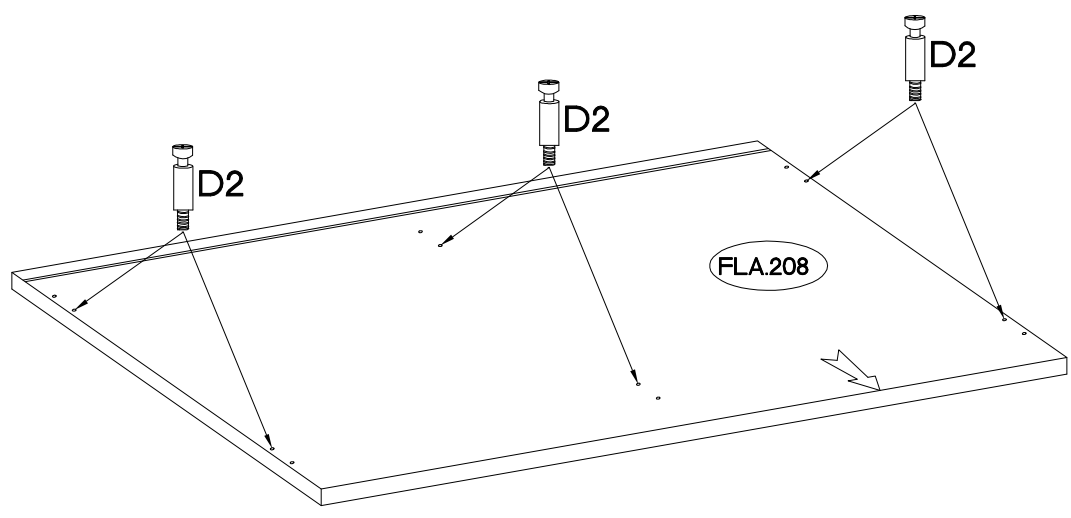
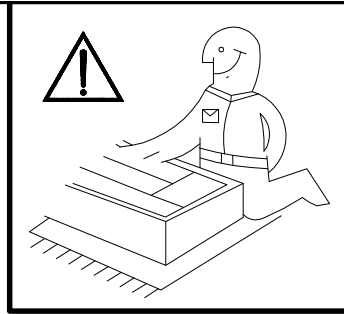
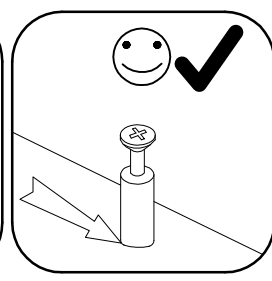
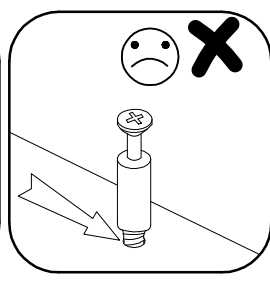
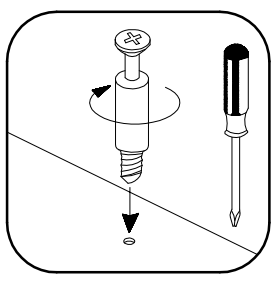
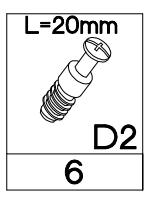
M4x22mm	
	
U	S
8	4



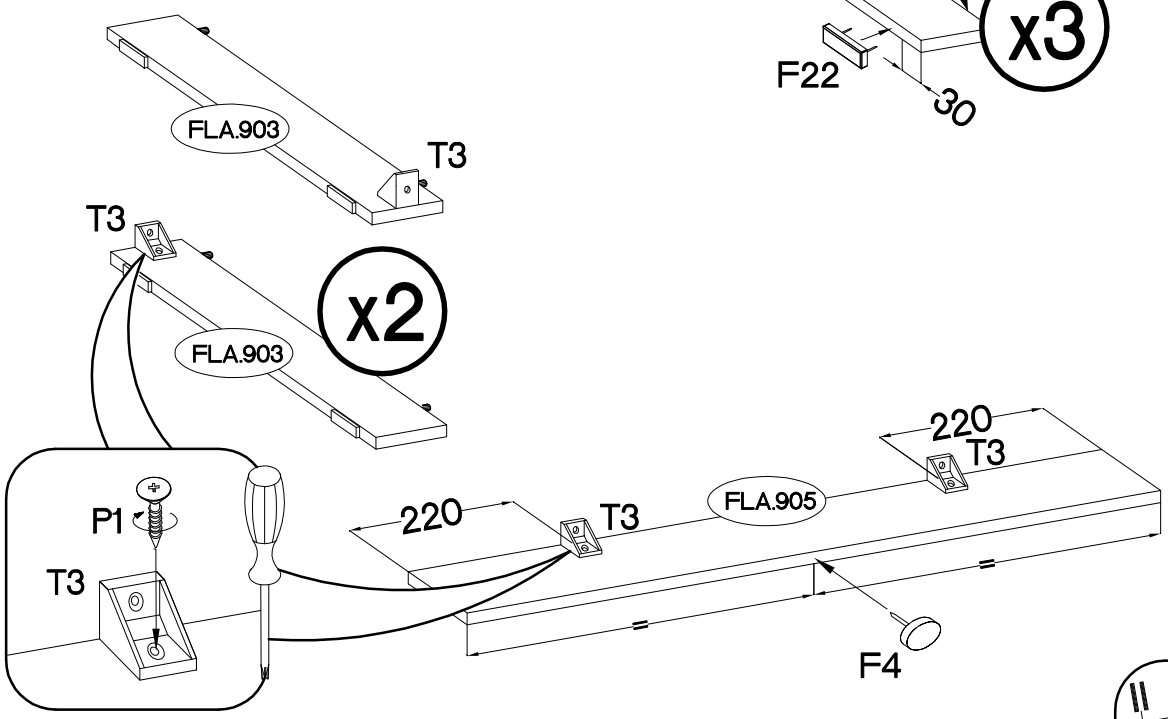
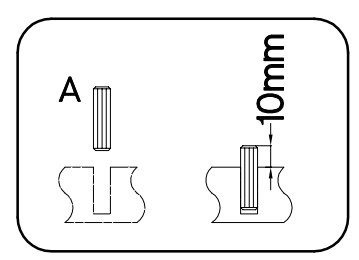
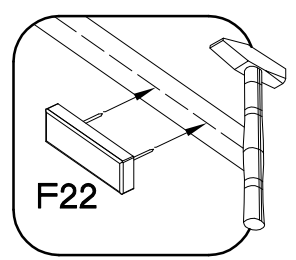
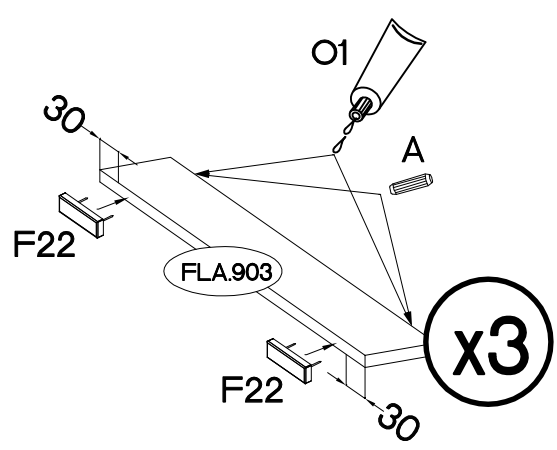
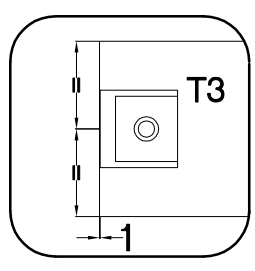
+8x30mm  A 12	+15/12mm  C 6	L=400mm  L  R I9 3	+6.3x13mm  M2 9	+6.3x20mm  M3 9	+20/8mm  J14 9
--	--	--	--	--	--



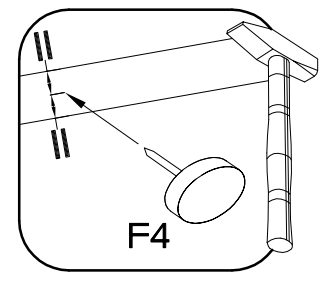
26

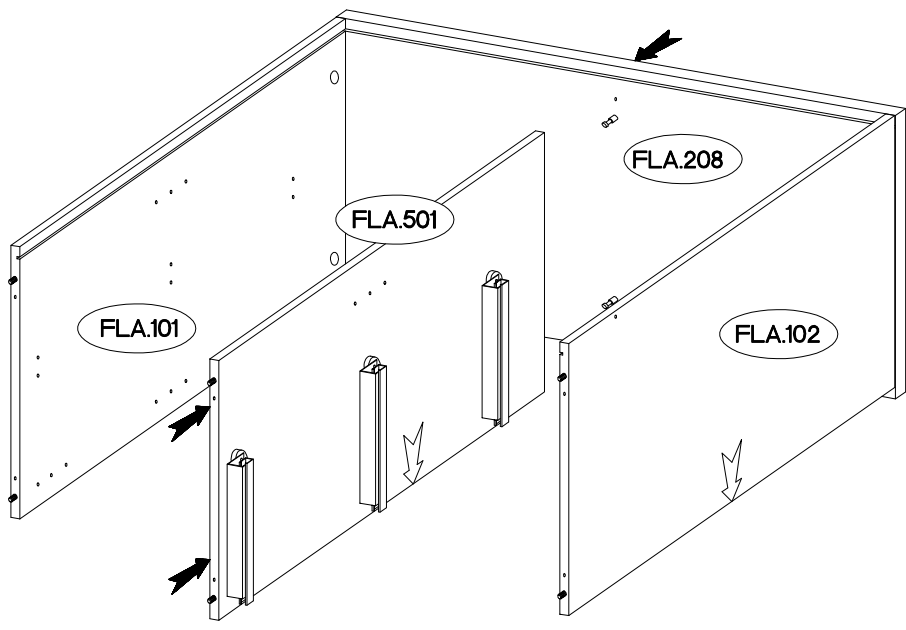
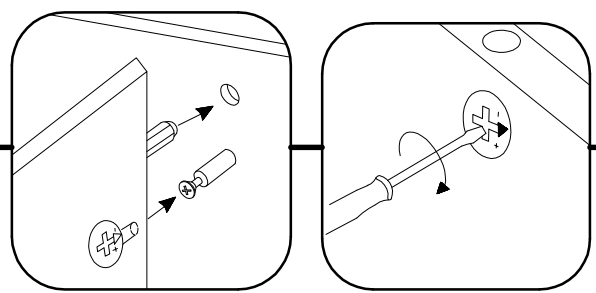
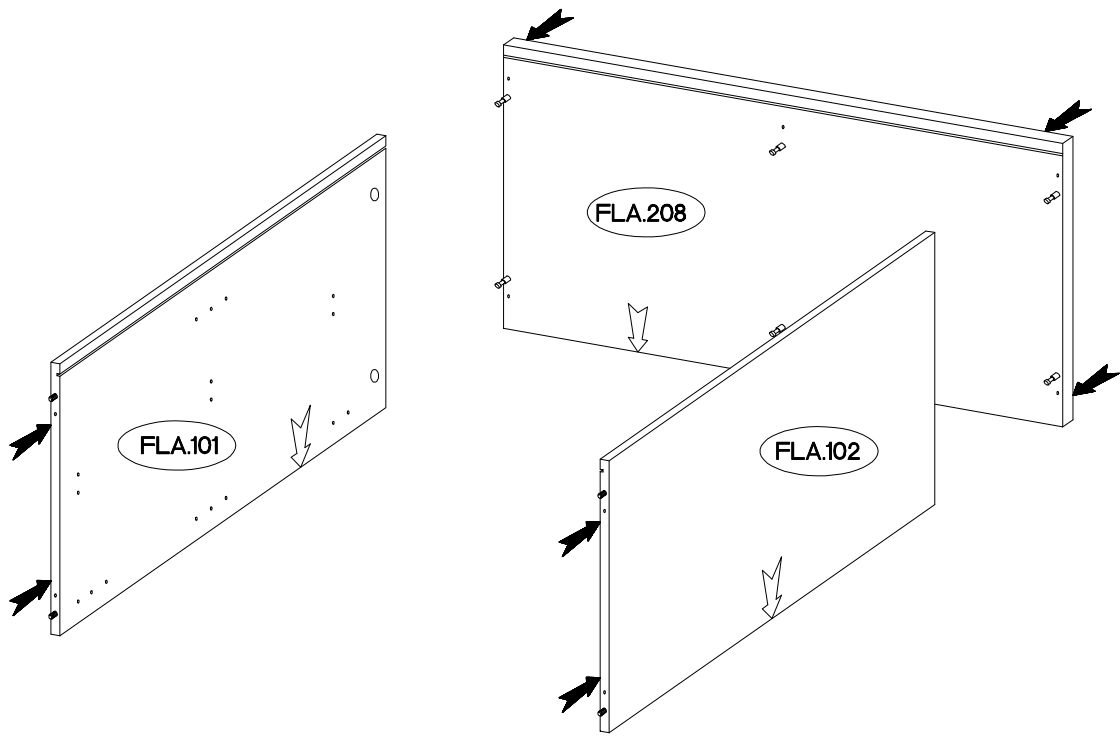
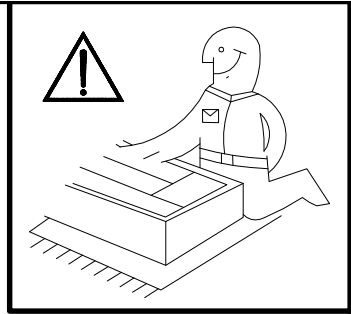


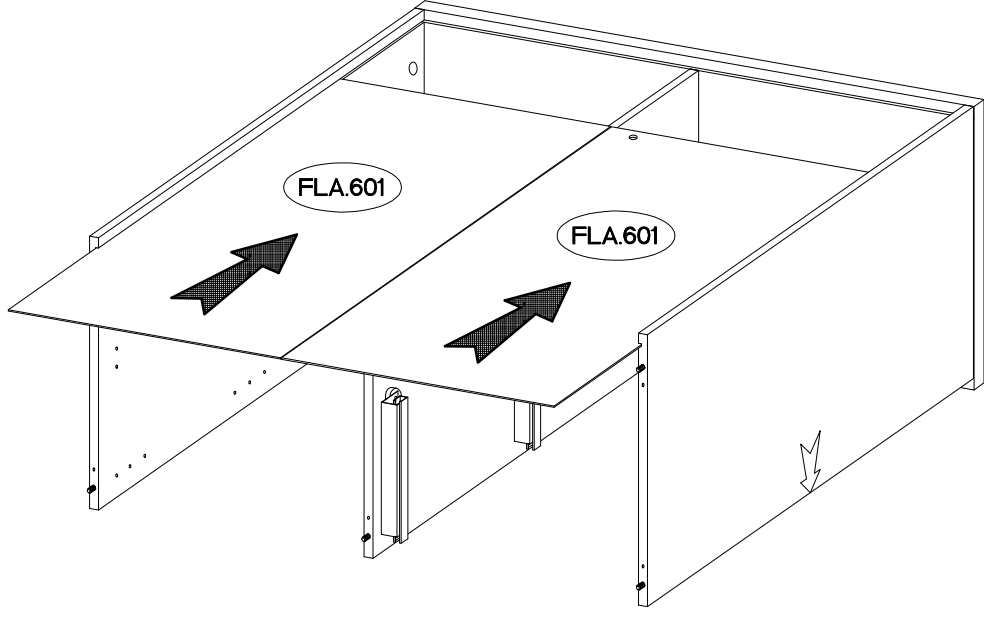
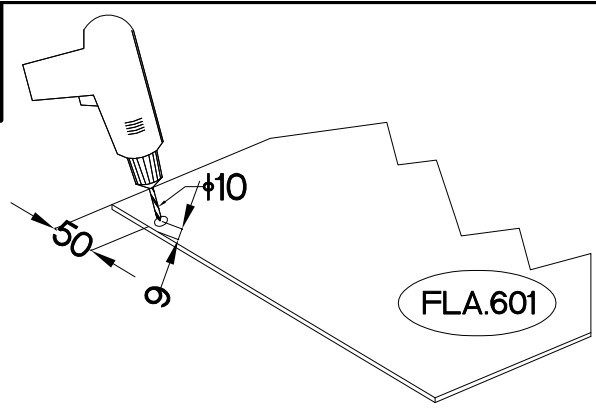
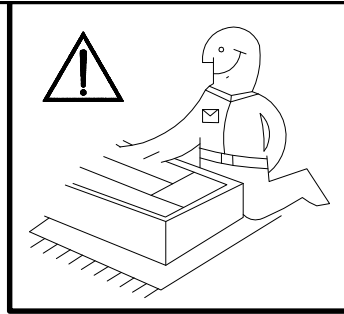
27



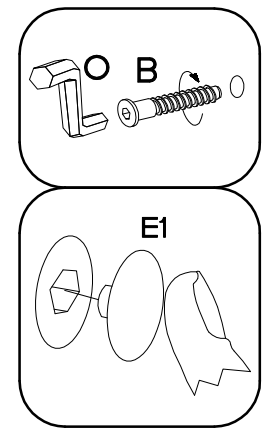
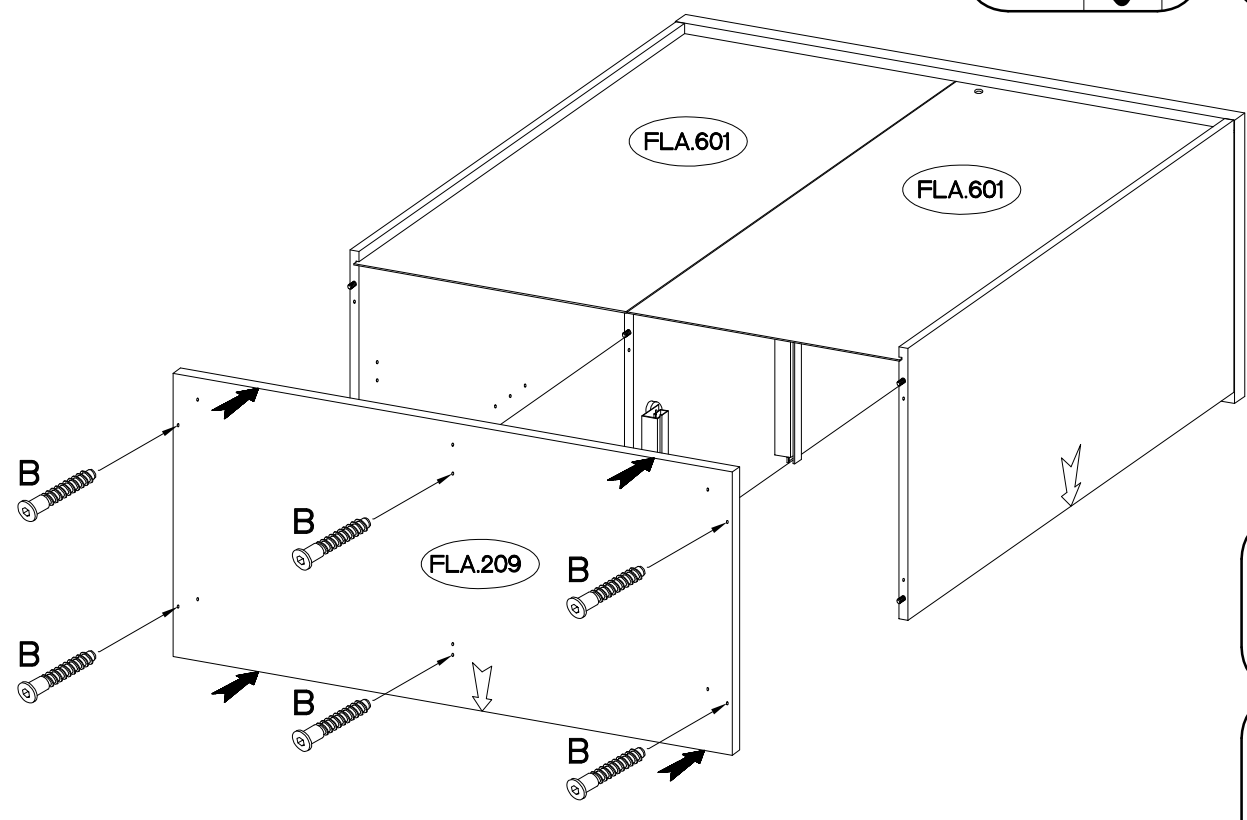
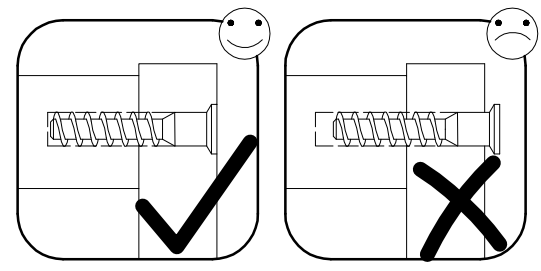
	$\pm 4.0 \times 16 \text{mm}$	$6.5 \times 48 \times 16$	$\pm 15 \times 5 \text{mm}$		$\pm 8 \times 30 \text{mm}$
T3	P1	F22	F4	O1	A
5	5	6	1	1	6





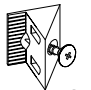

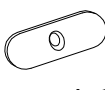


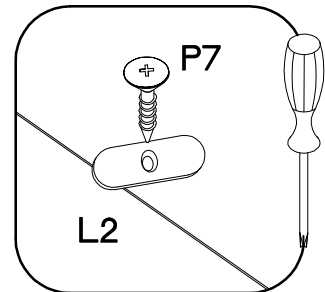
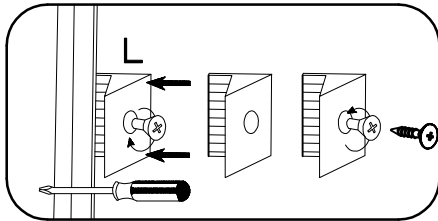
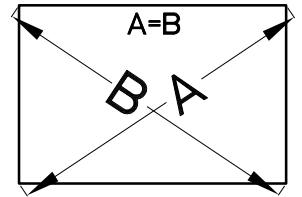
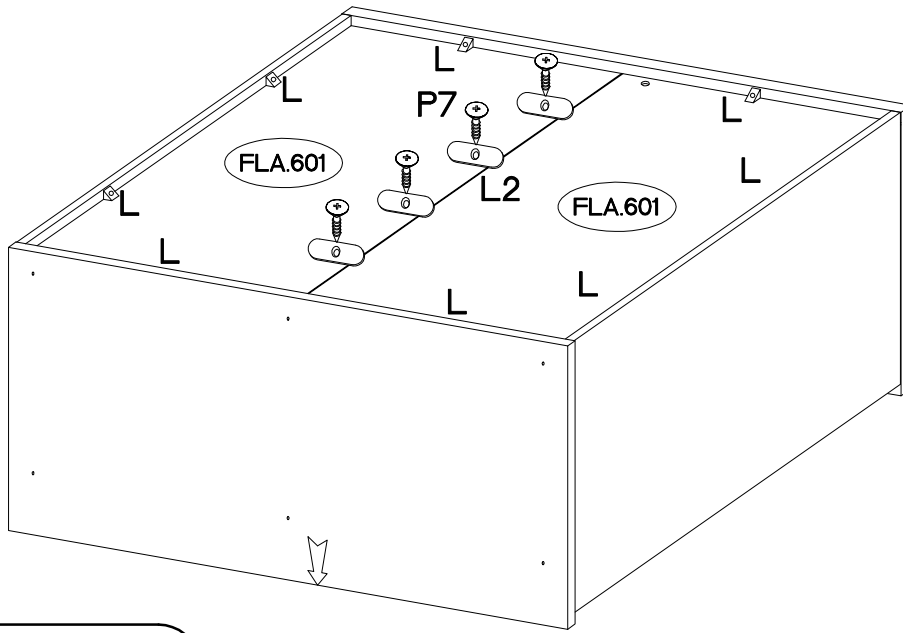
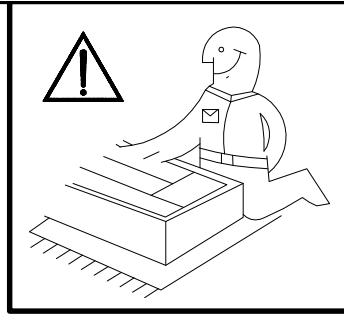
6,4 x 50mm		
<b>B</b>	<b>O</b>	<b>E1</b>
6	1	4






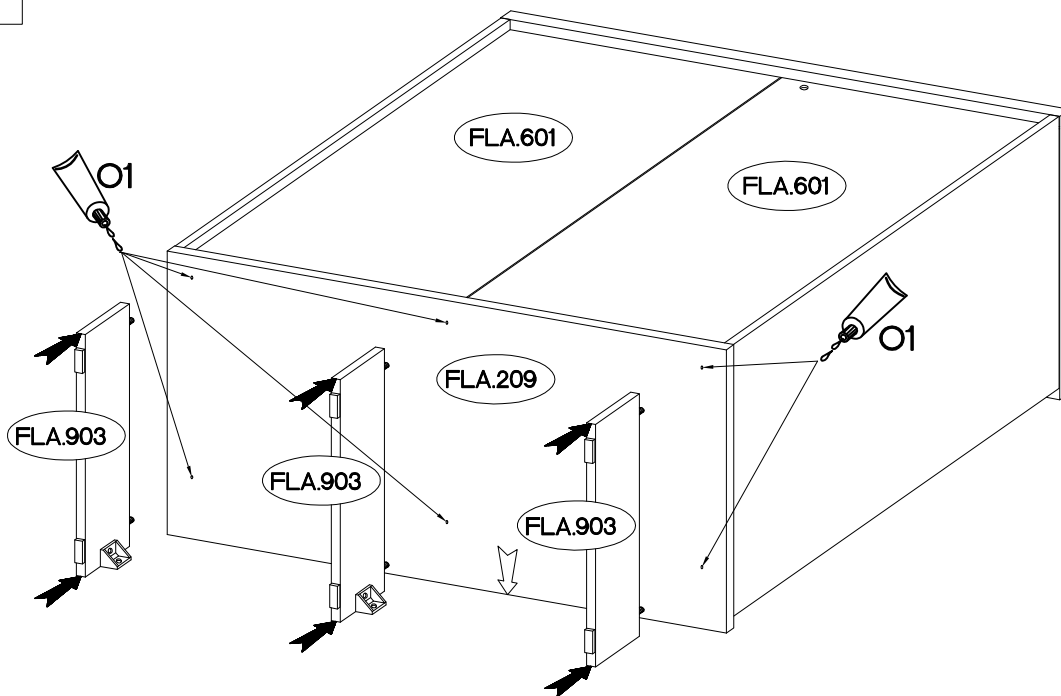
# 31

 L	 P7	 L2
8	4	4

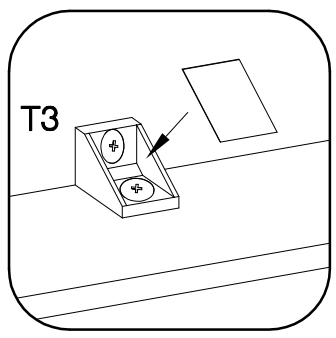
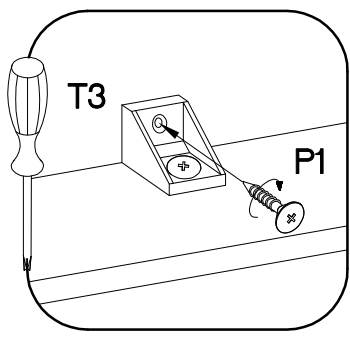
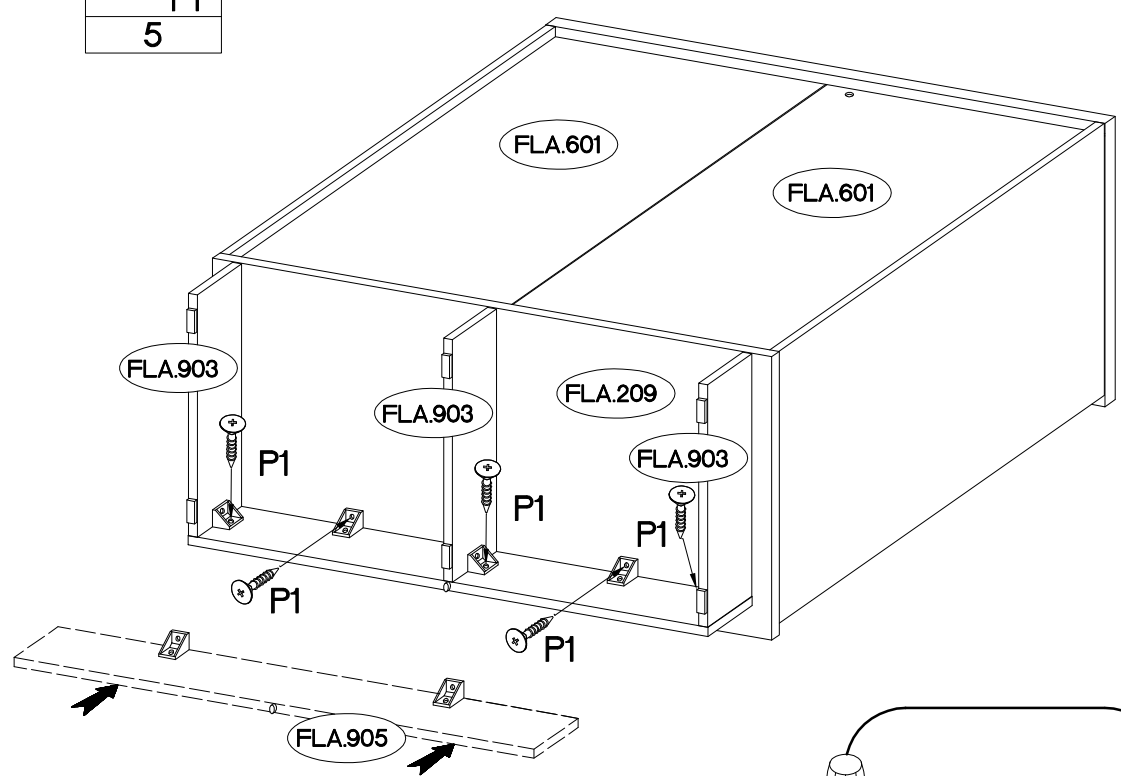
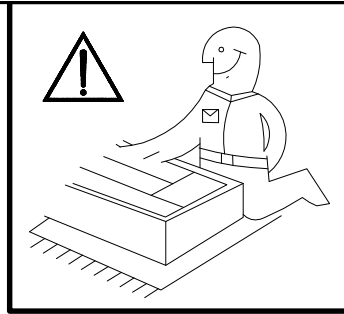
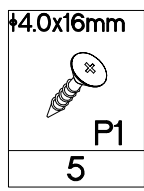


# 32

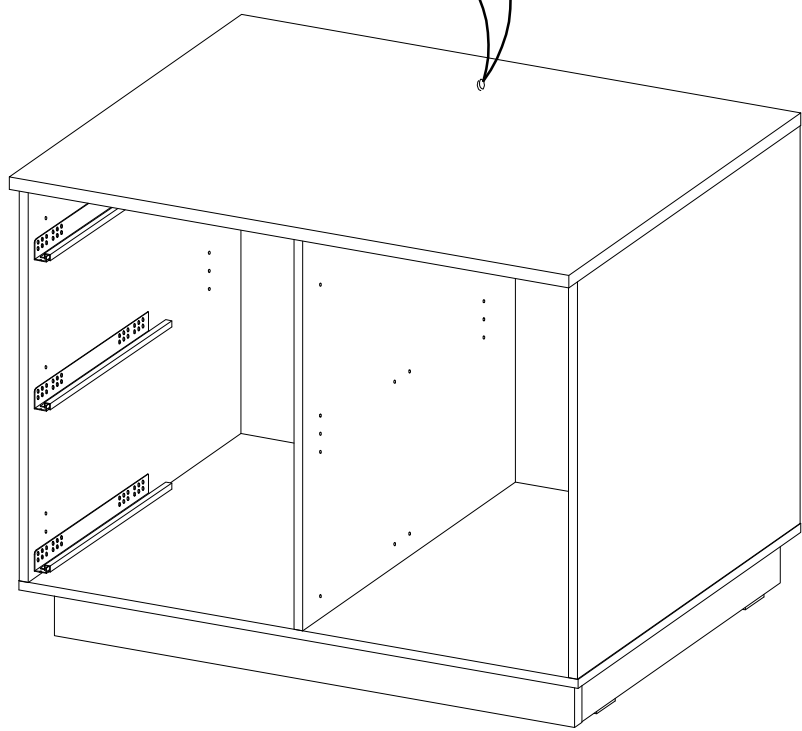
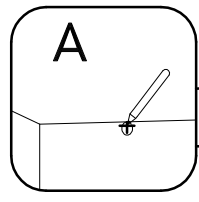
 O1
1






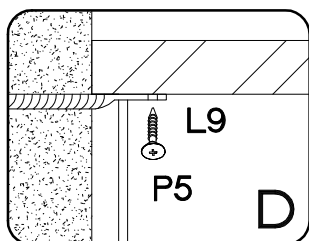
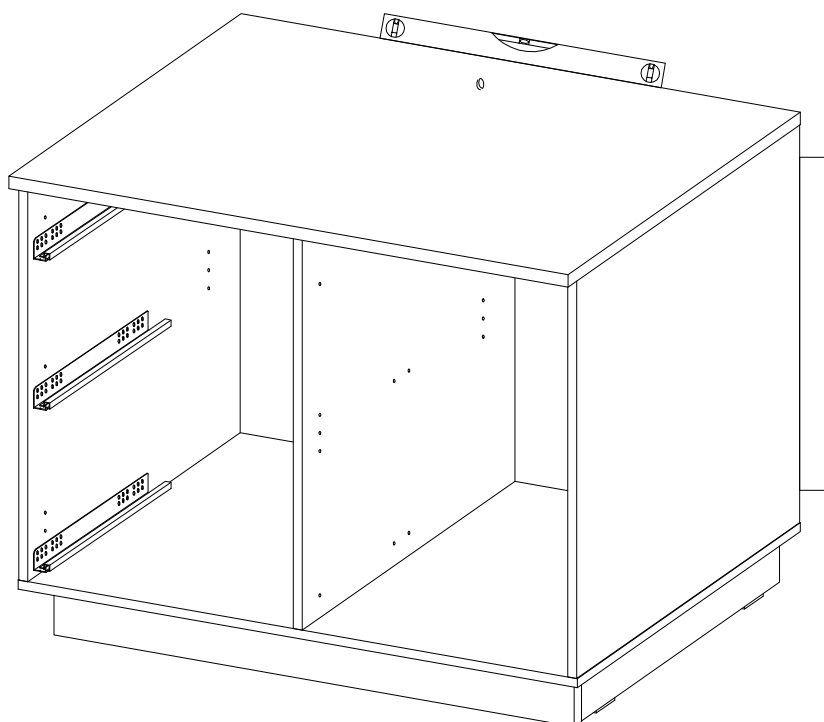
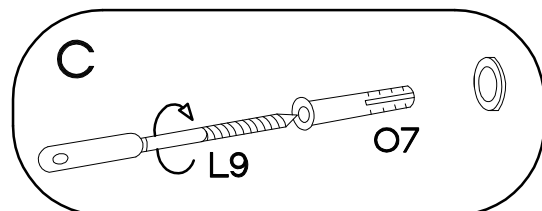
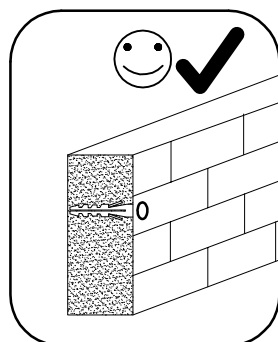
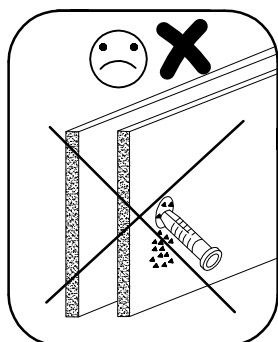
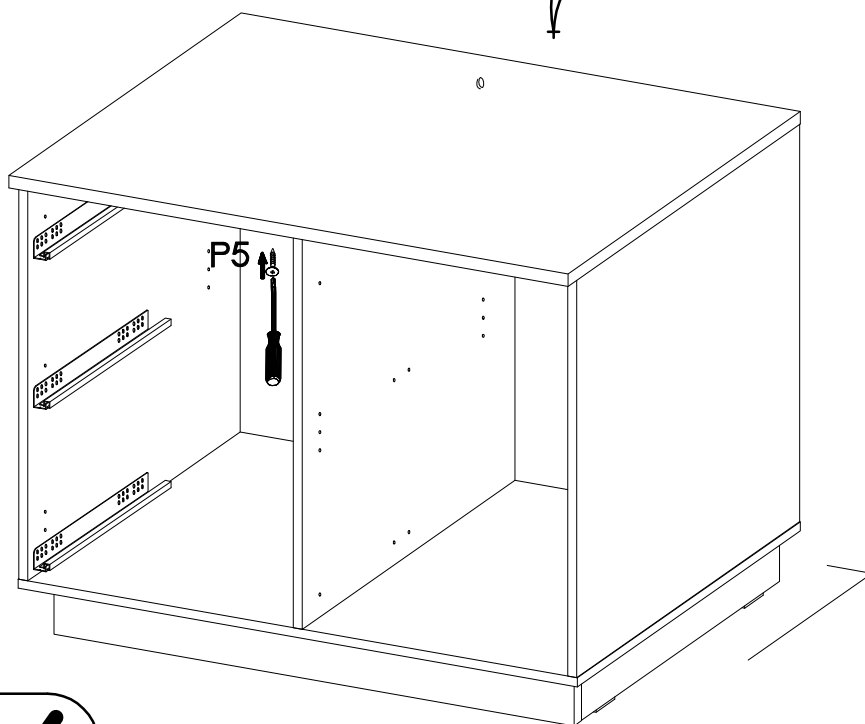
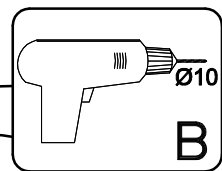
33



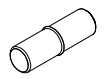

34

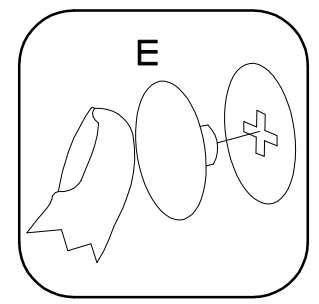
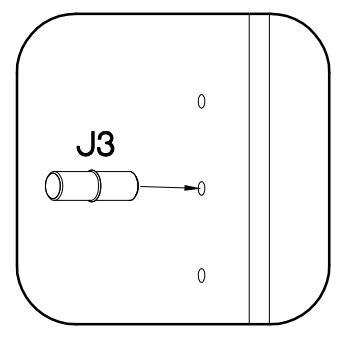
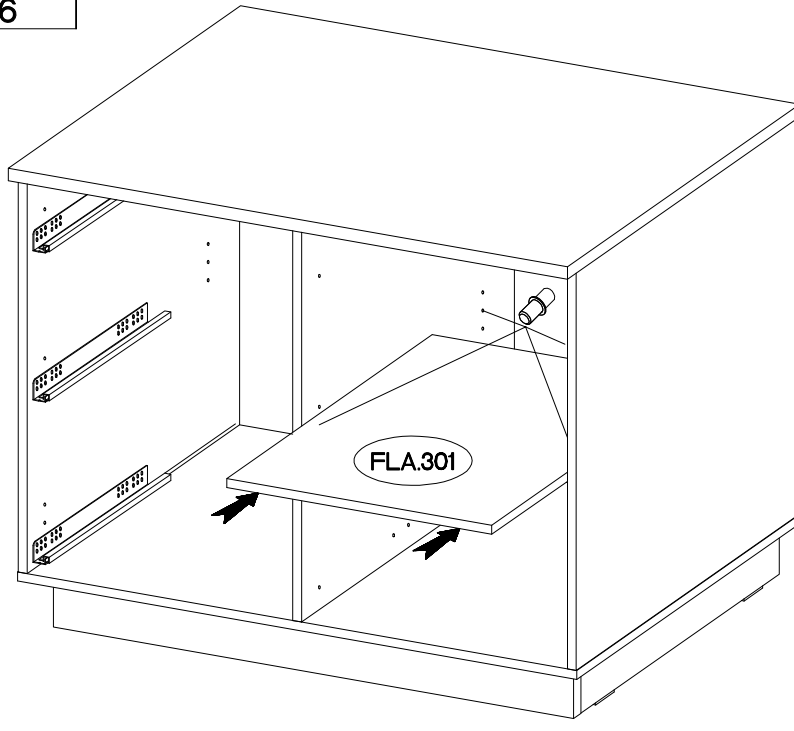


 <b>Ø7</b> 1	 <b>L9</b> 1	 <b>P5</b> 1
---	--	--

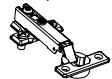



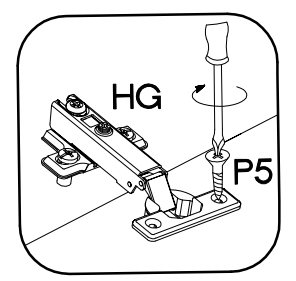
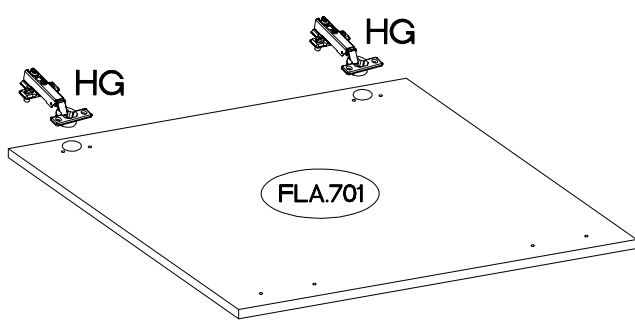
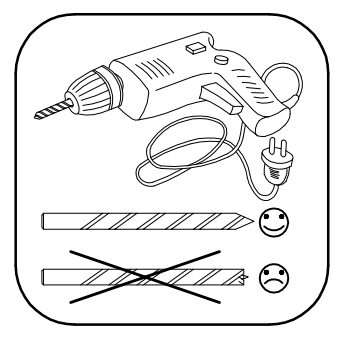
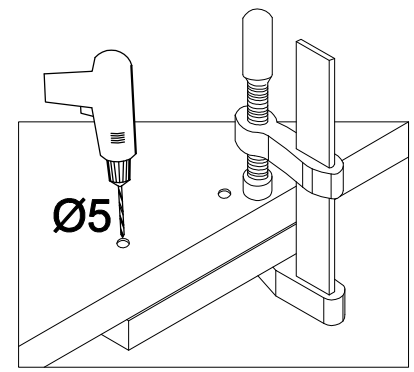
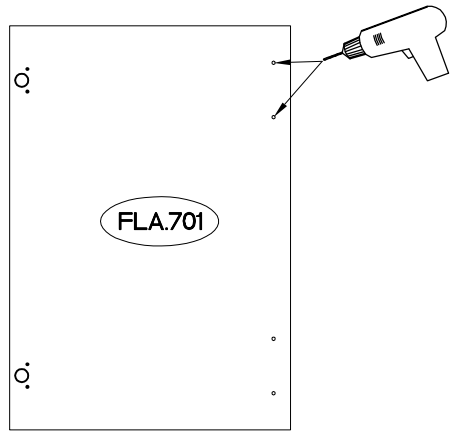
# 35

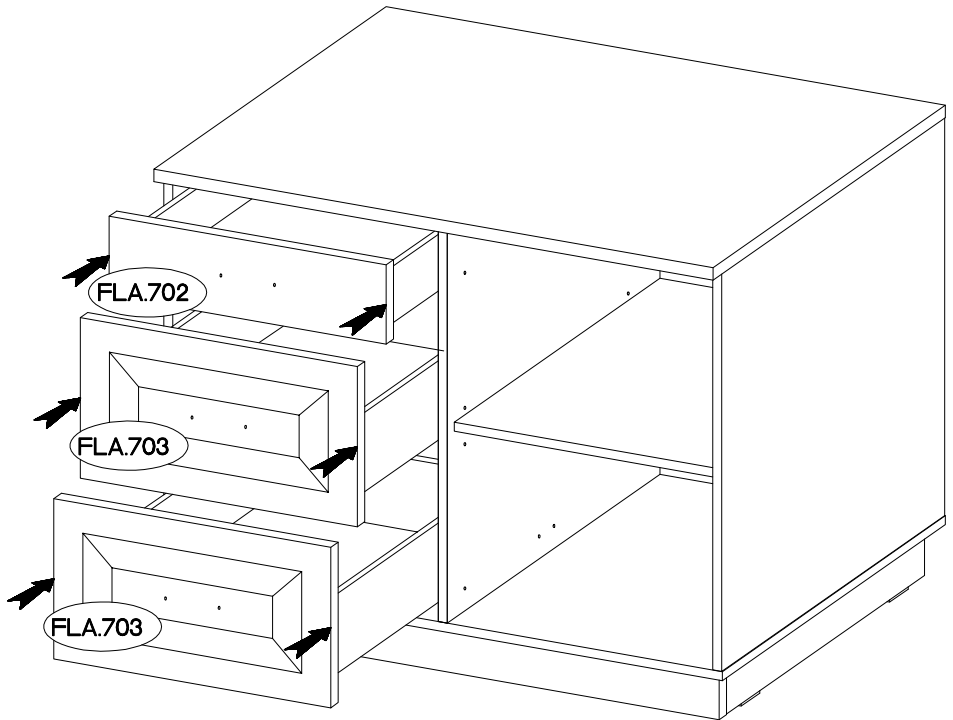
$\pm 5/16\text{mm}$  J3 4	 E 6
--	--



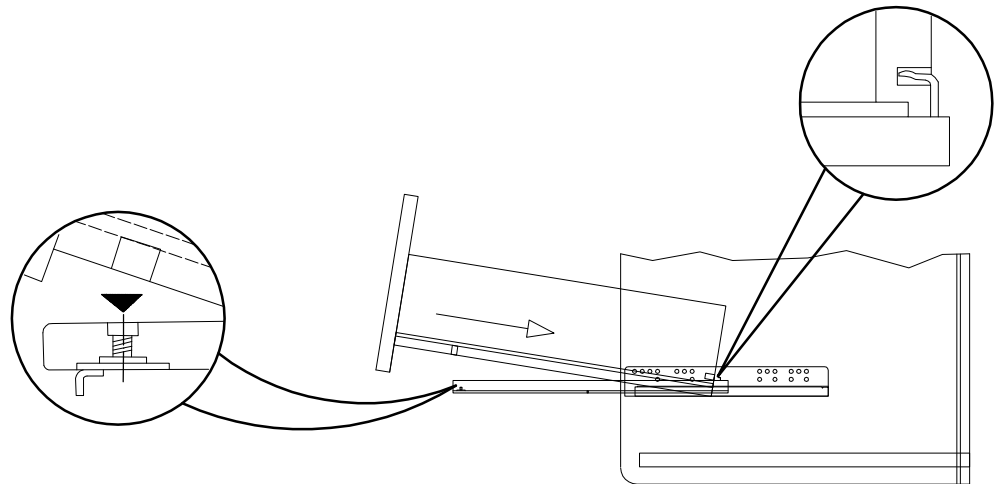
# 36

$\pm 35/0\text{mm}$  HG 2	$\pm 3.5 \times 13\text{mm}$  P5 4
---	--

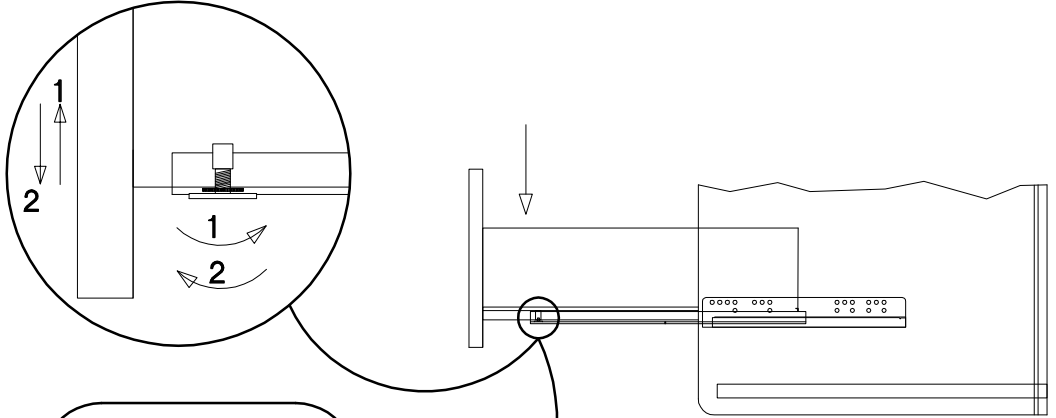




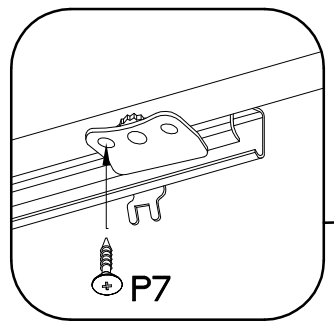
1.





2.



3.



M4x22mm	
	
U	S
8	4

