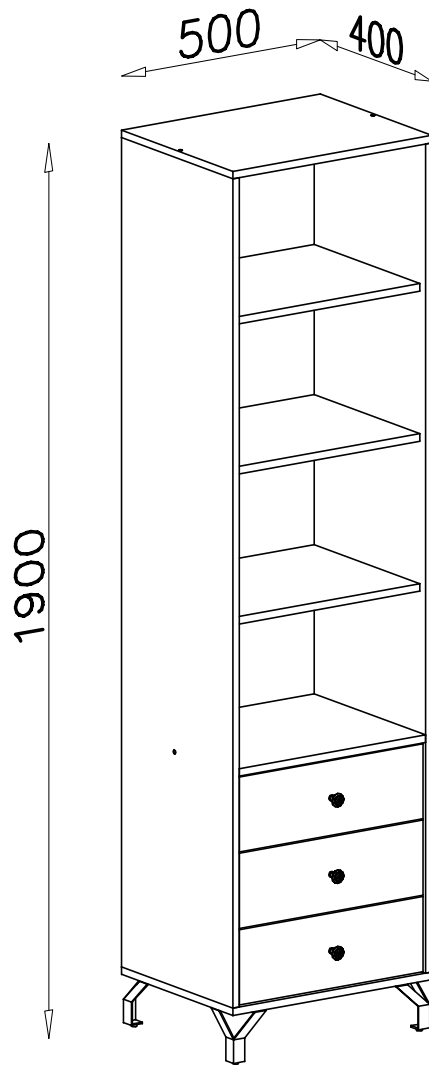
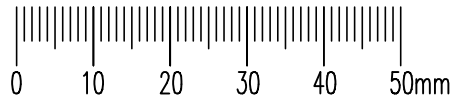
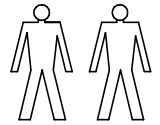
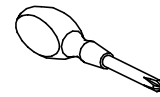
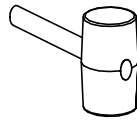
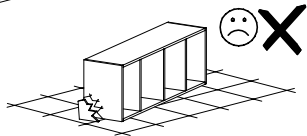
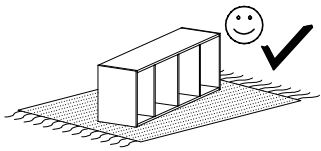


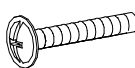
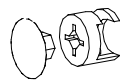
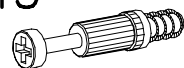

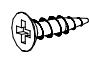
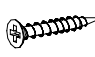

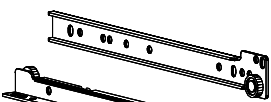


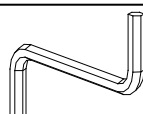
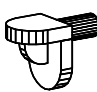

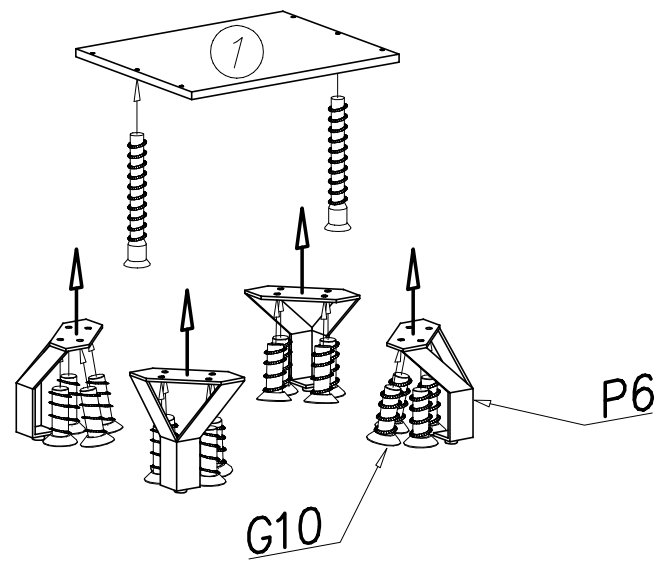
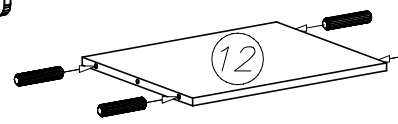
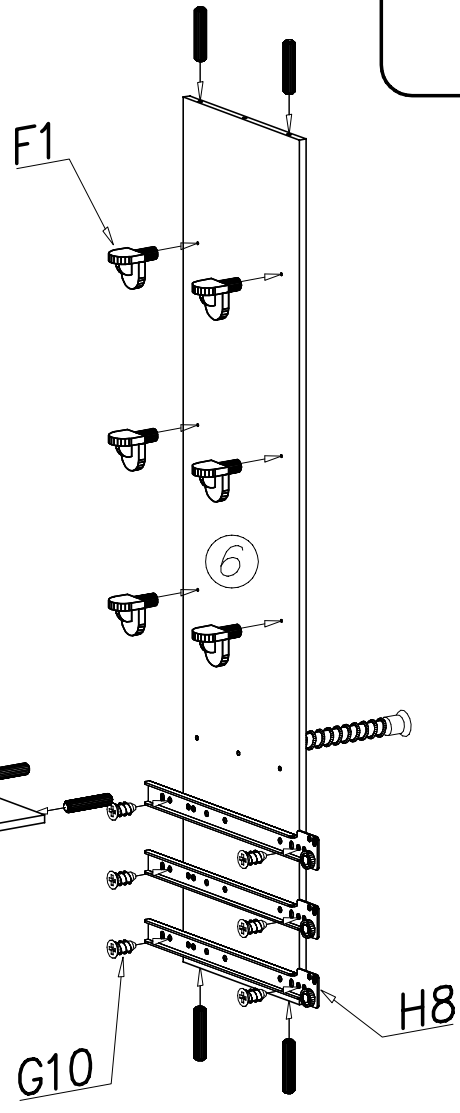
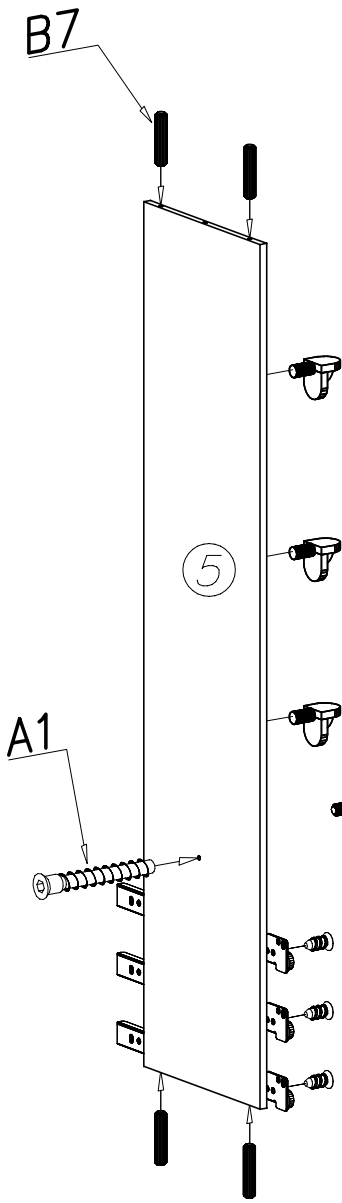
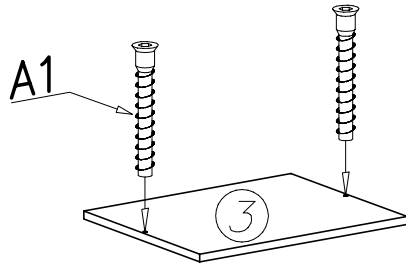
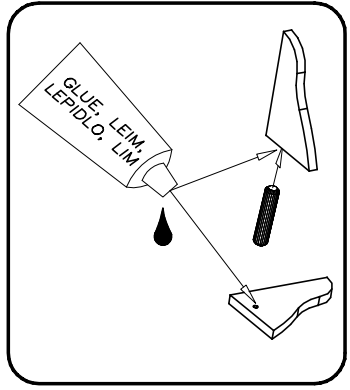


BERGEN BE 4

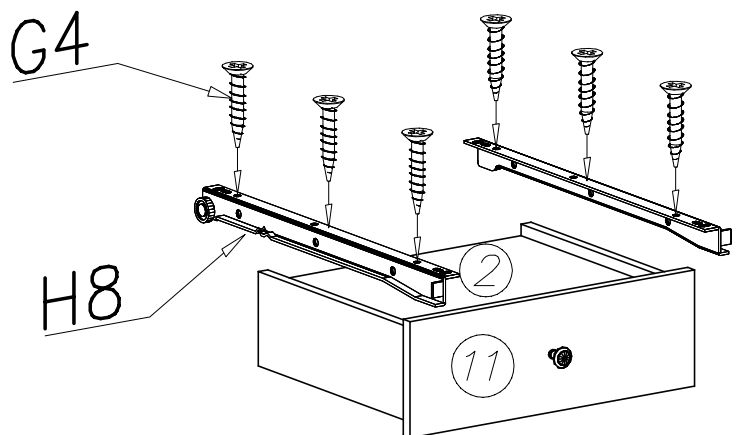
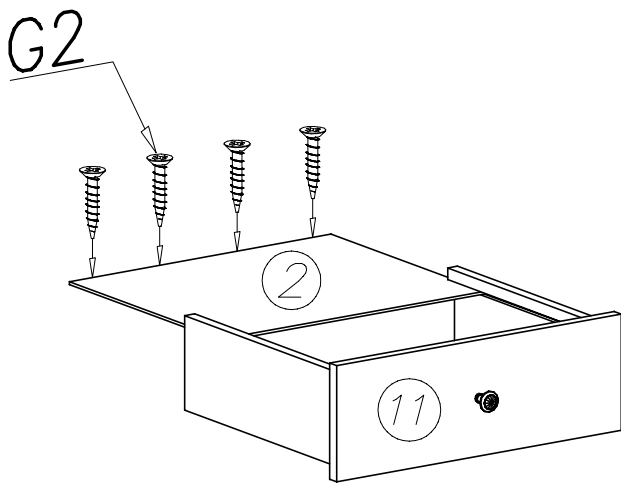
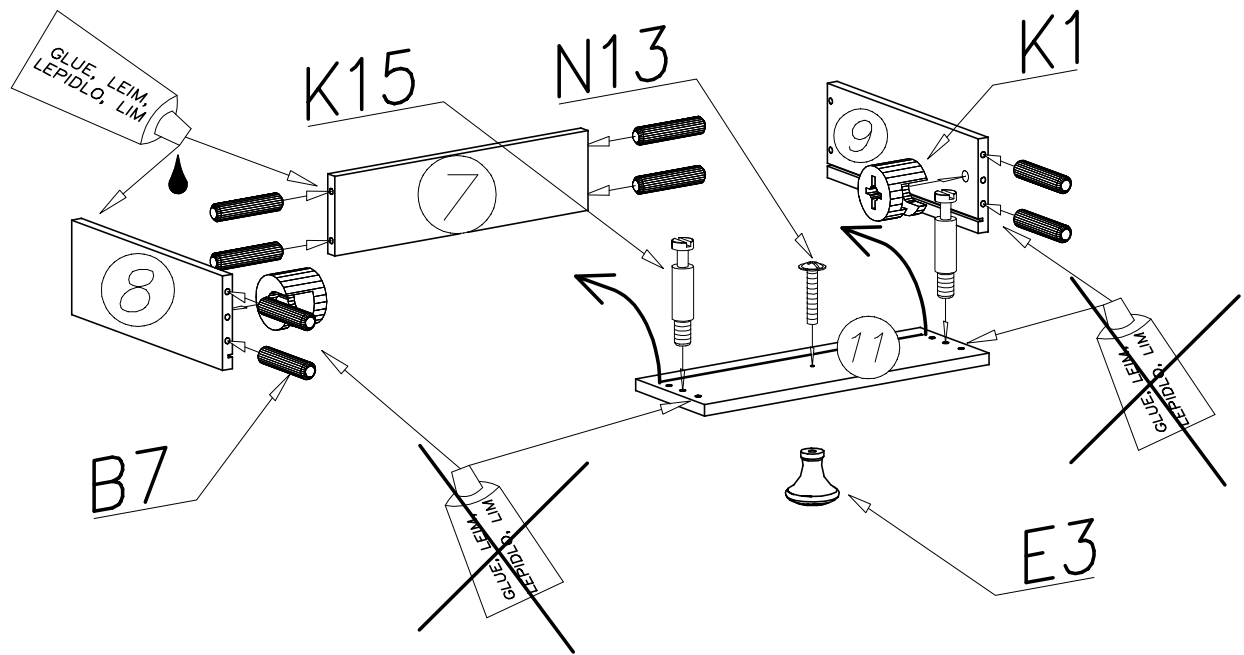


P6  x4	W1  x2	N13  M4x22 x3	K1  ø15x12 x6	K15  x6
G10  6x13 x28	G4  4x16 x18	G2  3x20 x45	E3  x3	H7  x3
A1  ø7x50 x6	B7  ø8x30 x36	W2  x1	F1  x12	350mm  x3

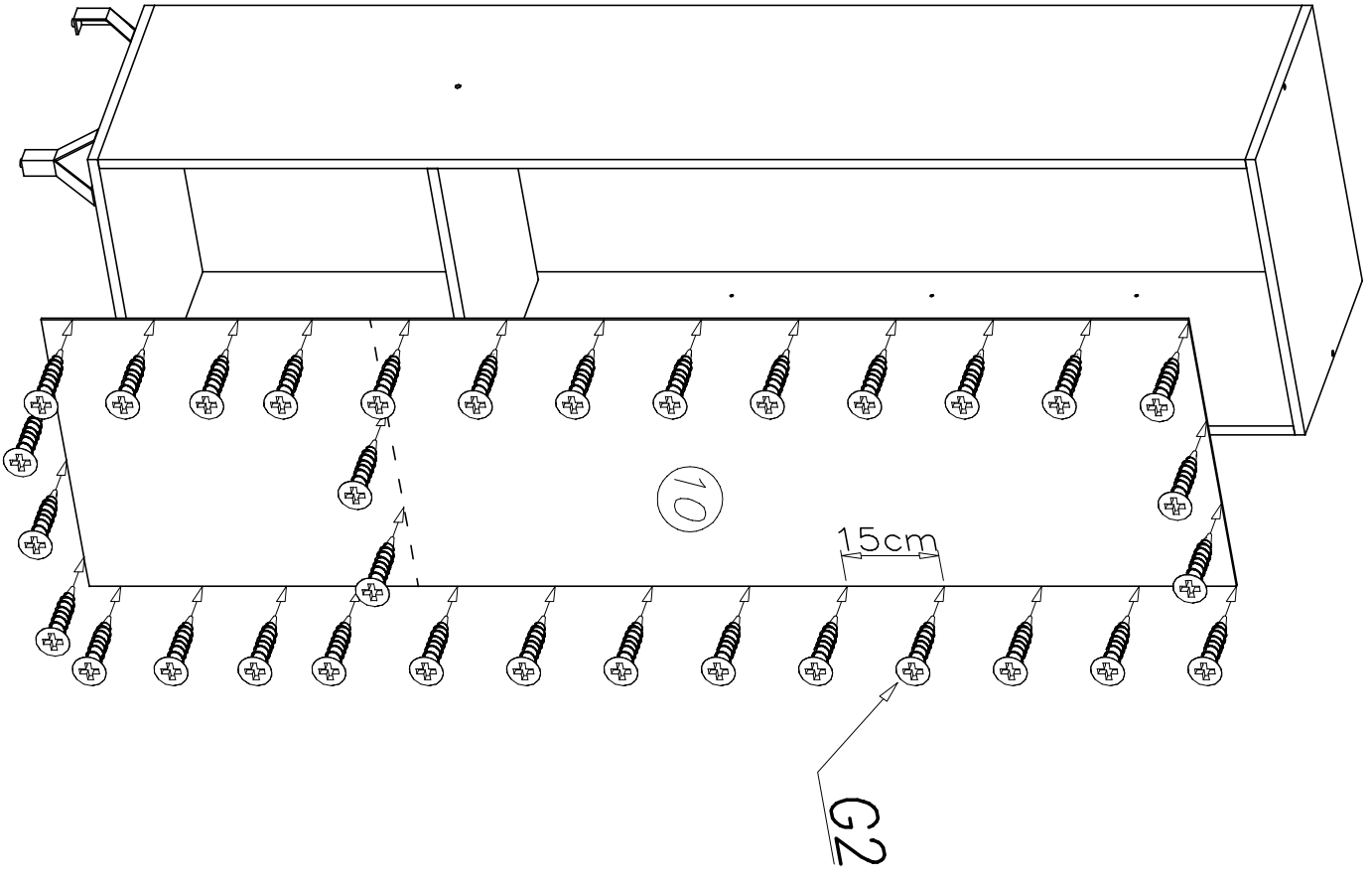
1



II



III



IV

