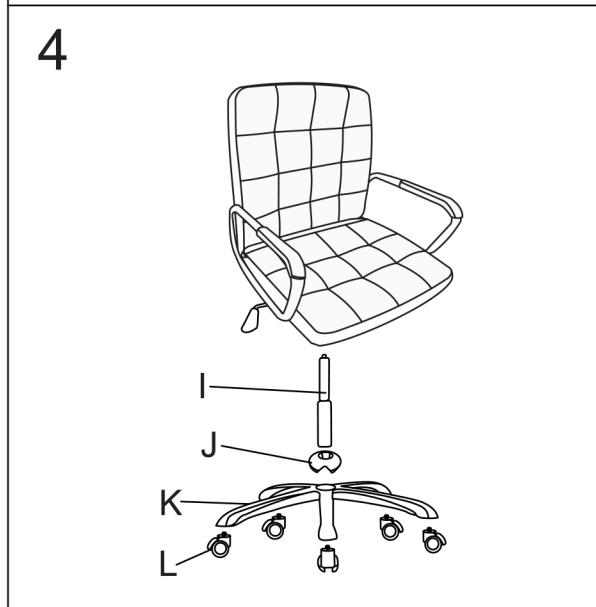
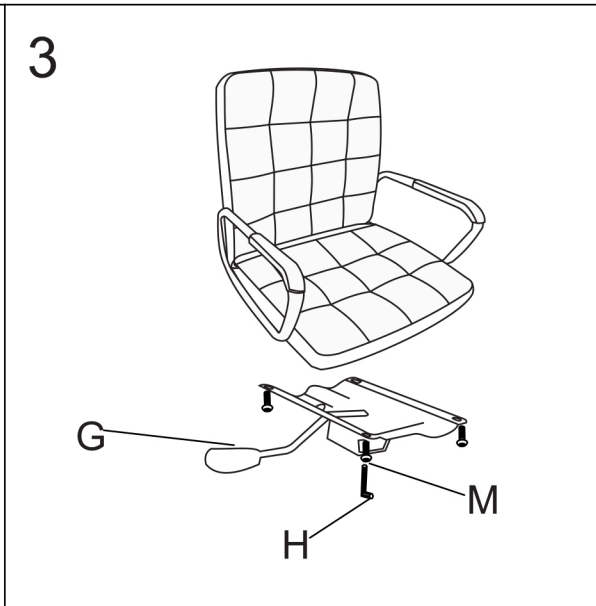
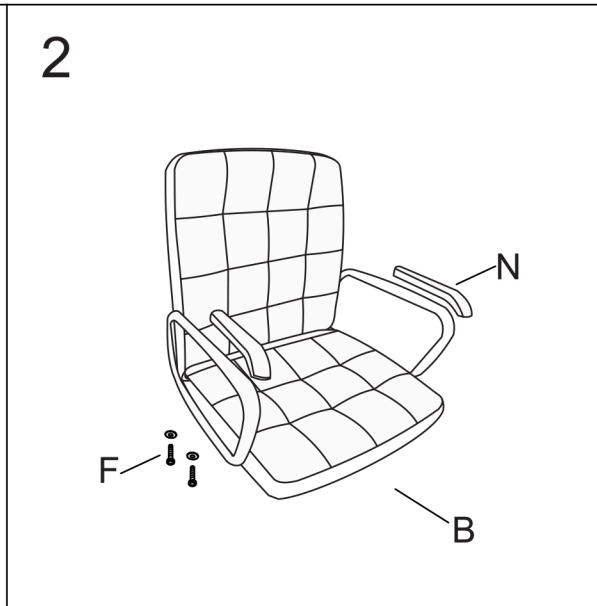
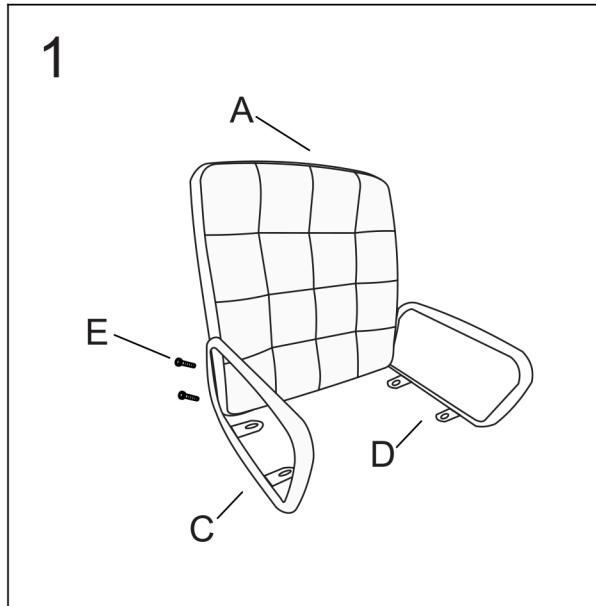


MARK ADLER

quick assembly guide



A		1
B		1
C		1
D		1
E		4
F		4
G		1

H		1
I		1
J		1
K		1
L		5
M		4
N		2