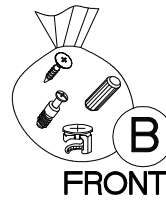
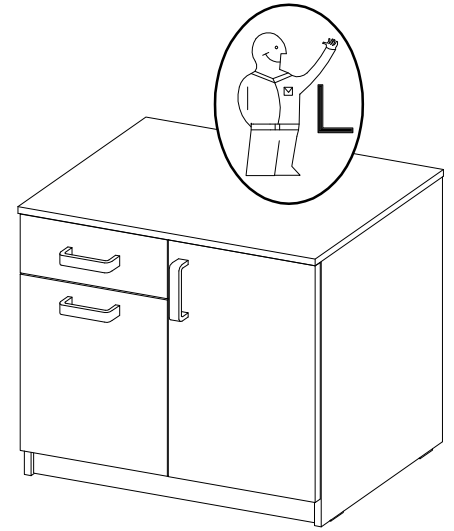
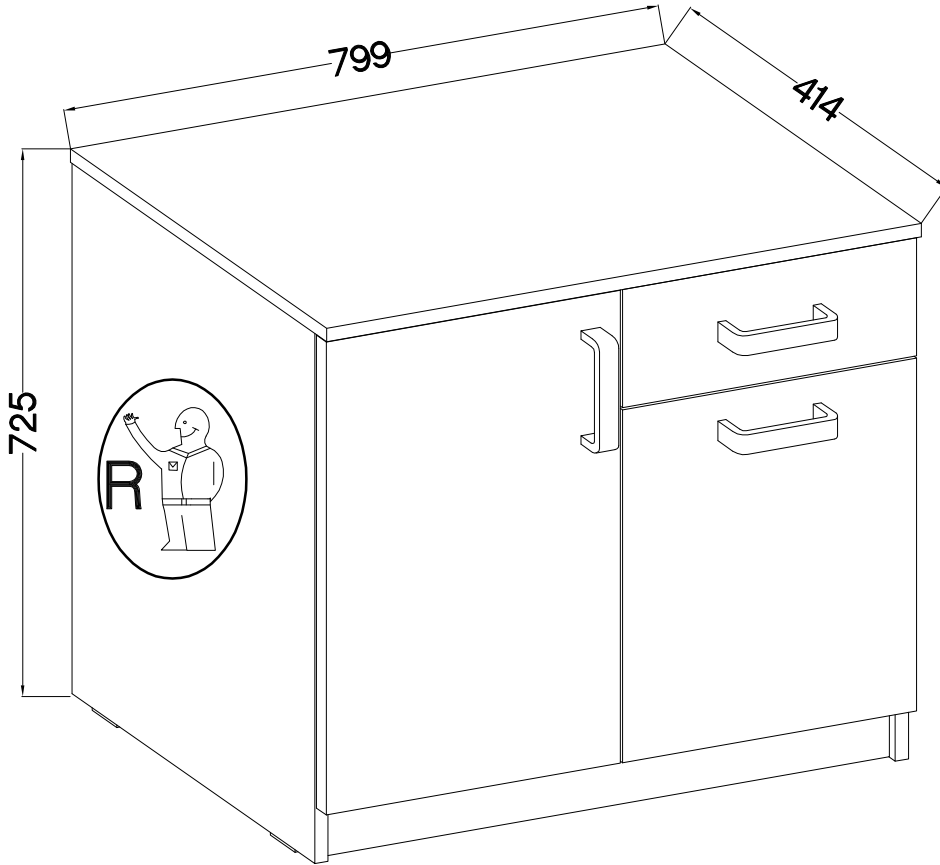
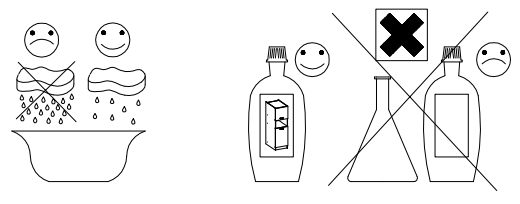
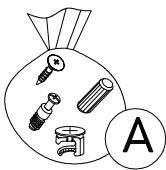


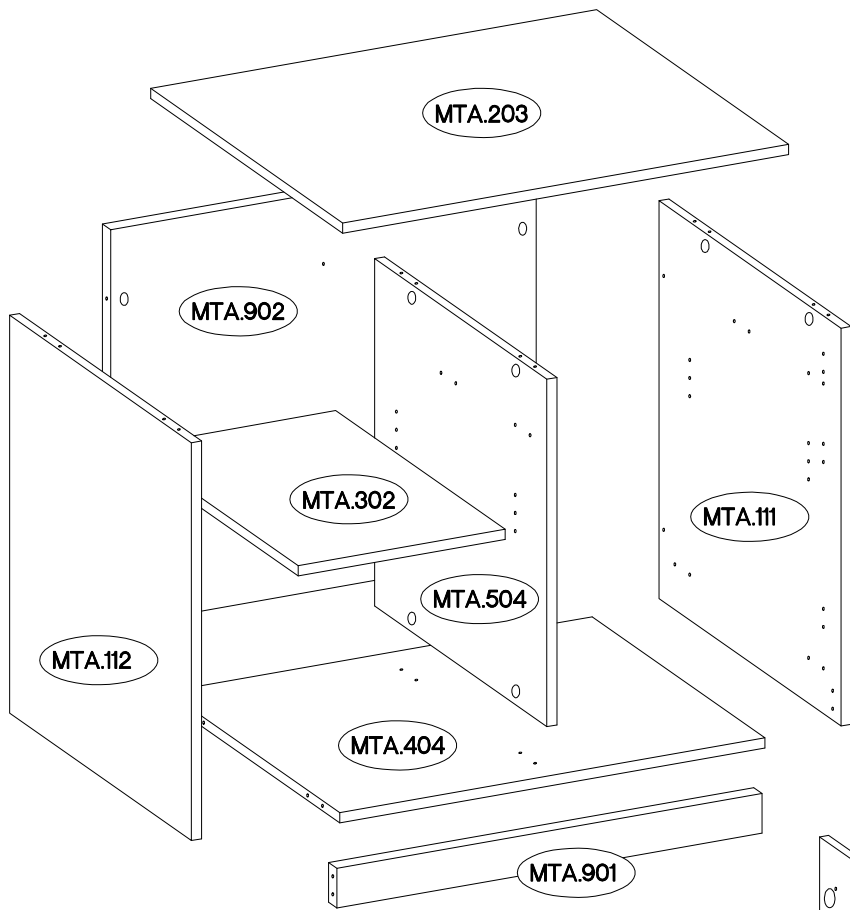
MALTA TYP 820



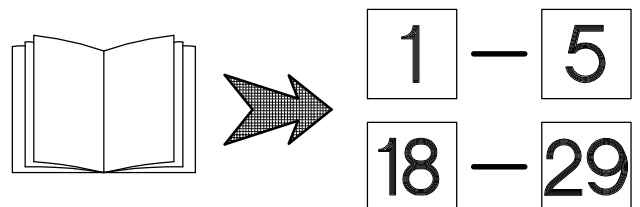
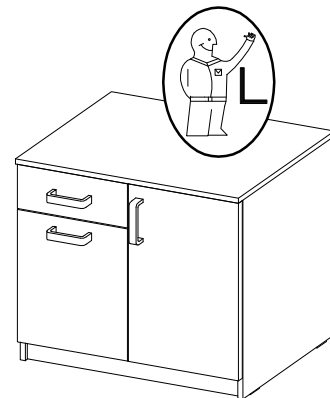
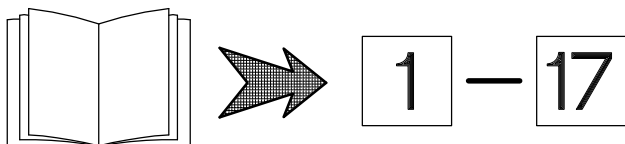
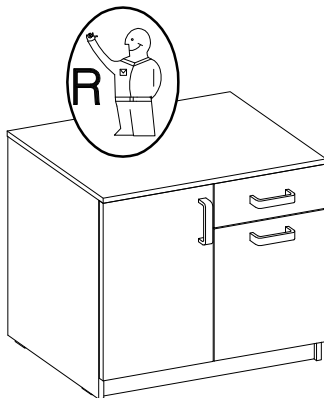
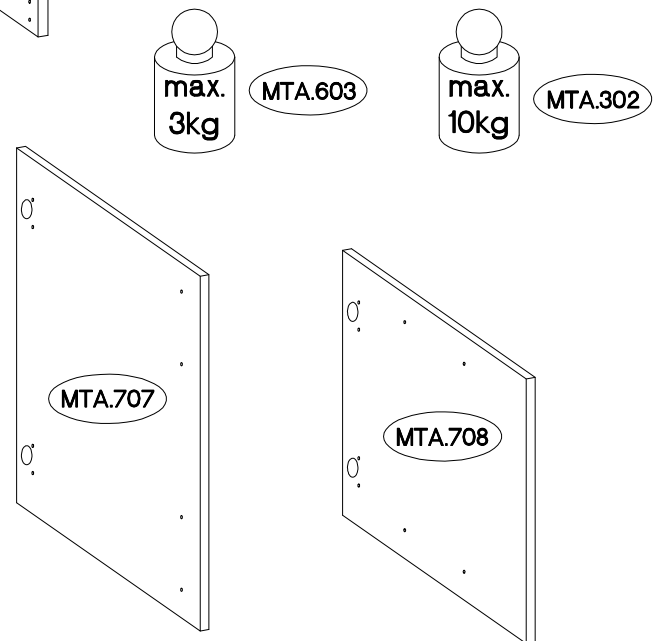
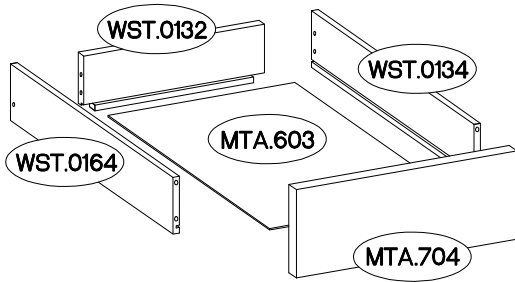
±35/0mm [CD] HG 4	±3.5x13mm P5 8	L=128mm S 3	M4x22mm U 6
-------------------------	----------------------	-------------------	-------------------




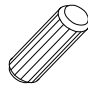

±8x30mm A 20	6,4 x 50mm B 2	±6x42mm B2 2	±15/12mm C 16	±12/10mm C5 2	L=20mm D2 18	E1 2	±20 E11 10		
6.5x48x16 F2 4	[CD] L=350mm R 1	±5/16mm J3 4	±20/8mm J14 4	L 2	±6.3x13mm M2 4	±6.3x20mm M3 4	O 1	O1 1	±3.0x20mm P7 2

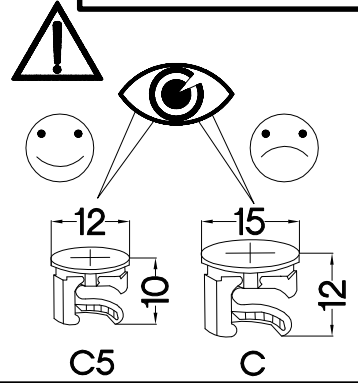
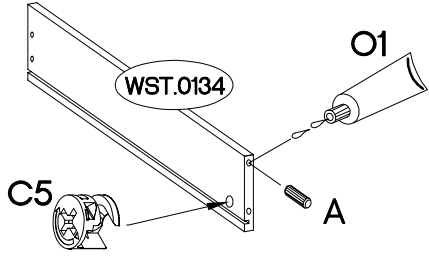
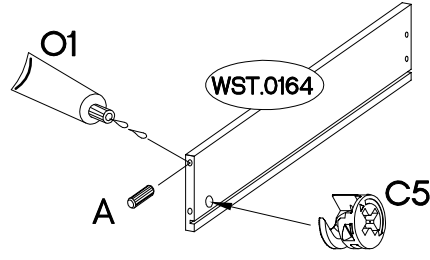
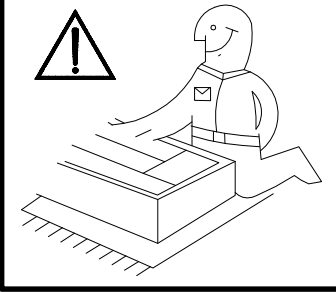
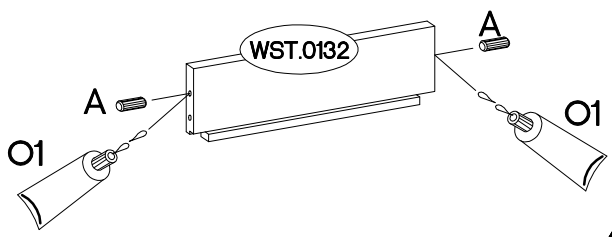


Ersatzteil Nummer	Dimension
MTA.111	702x392x18
MTA.112	702x392x18
MTA.203	799x414x18
MTA.302	371x365x18
MTA.404	762x372x18
MTA.504	613x371x18
MTA.903	701x762x18
MTA.901	762x70x18
MTA.707	626x395x16
MTA.708	467x395x16
MTA.704	156x395x16
MTA.603	335x348x2,5
WST.0134	350x100x12
WST.0164	350x100x12
WST.0132	324x100x12





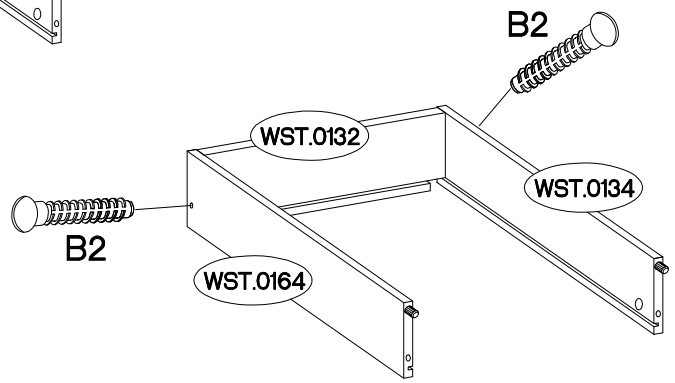
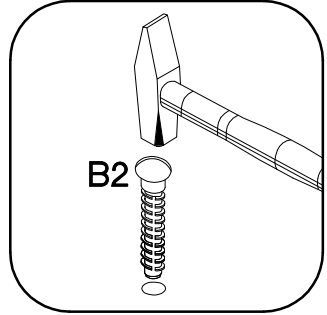
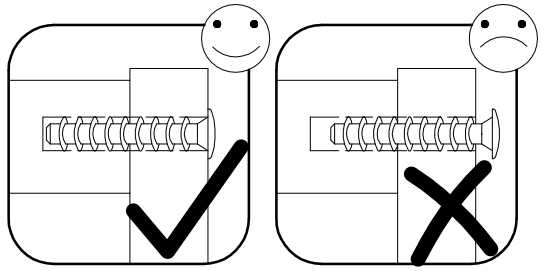
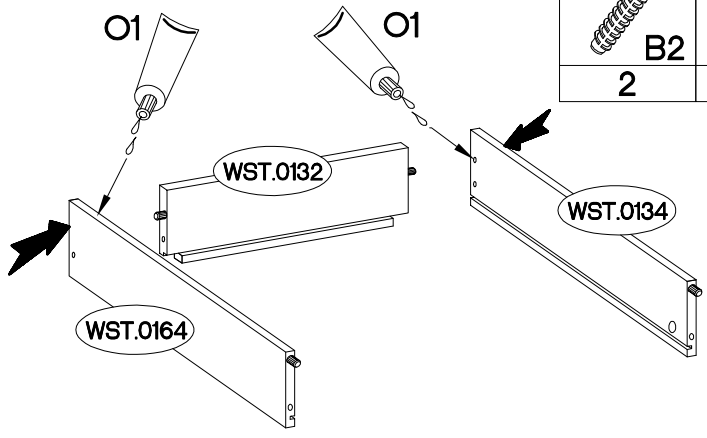
1

±12/10mm  C5 2	±8x30mm  A 4	 O1 1
---	---	---

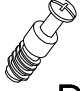


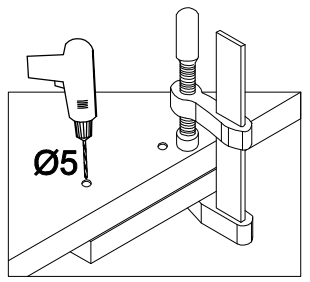
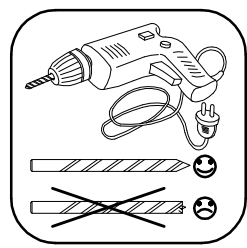
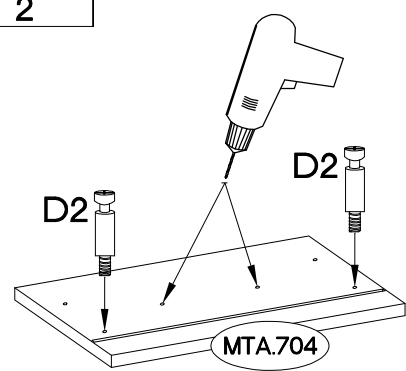
2

±6x42mm  B2 2	 O1 1
---	--

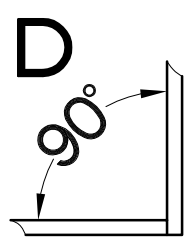
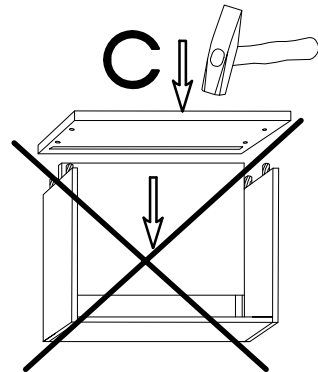
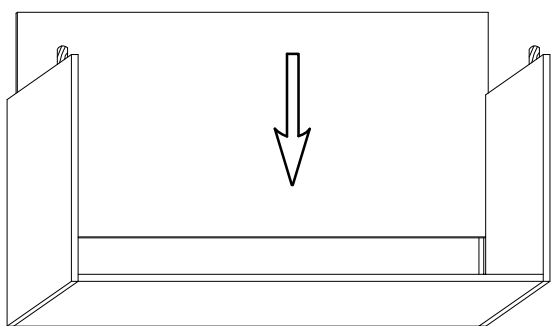
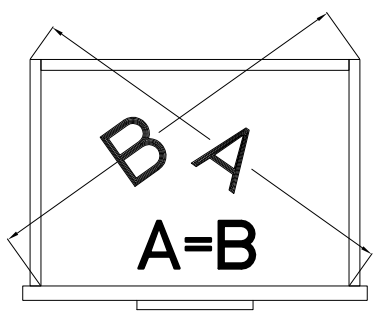
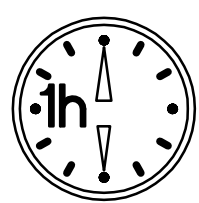
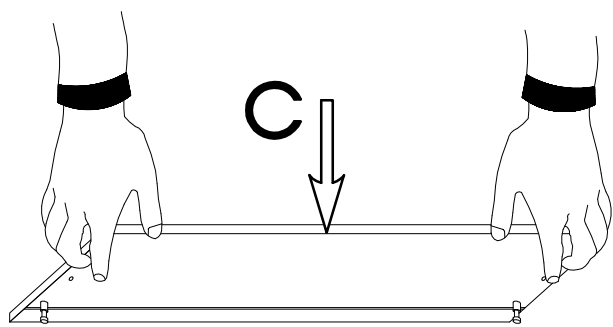
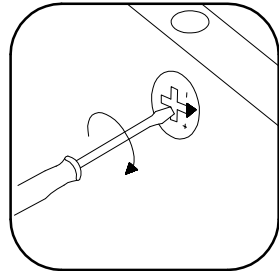
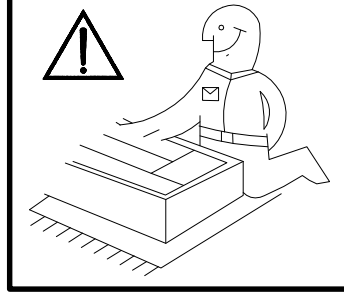
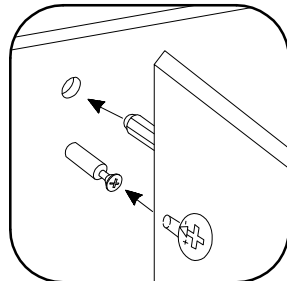
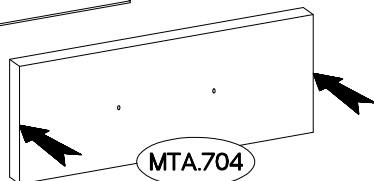
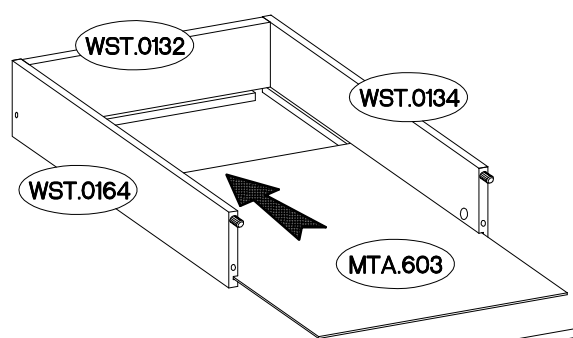


3

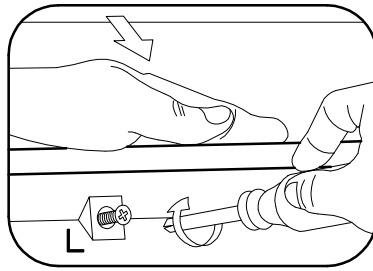
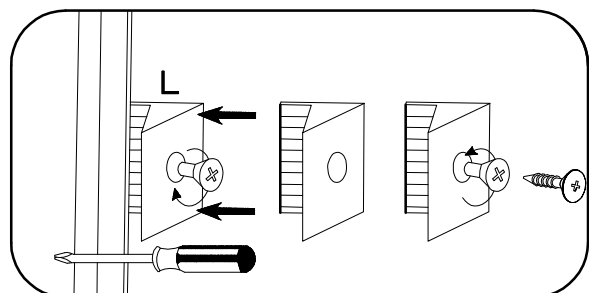
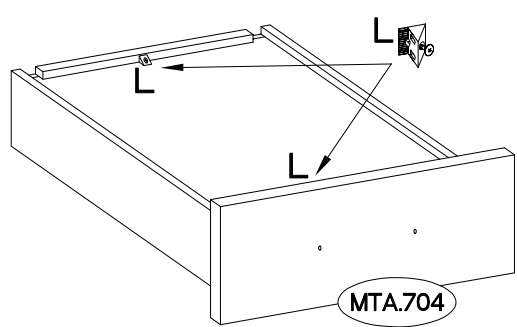
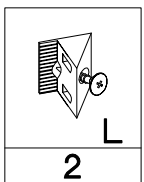
L=20mm  D2 2
--

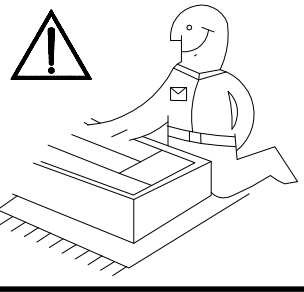


4

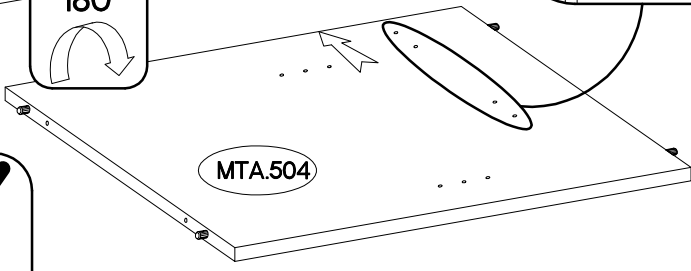
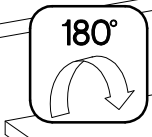
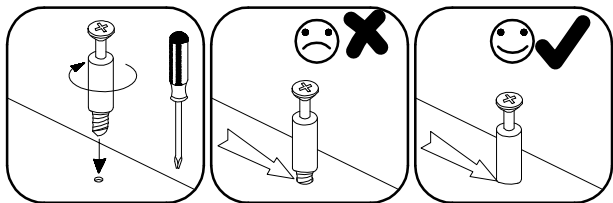
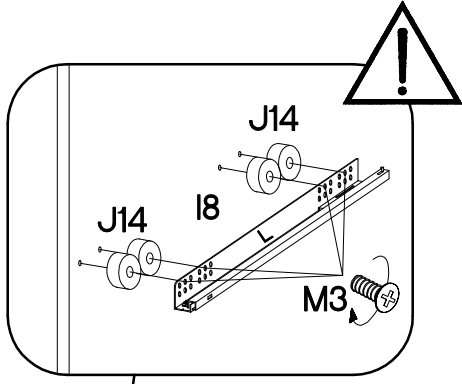
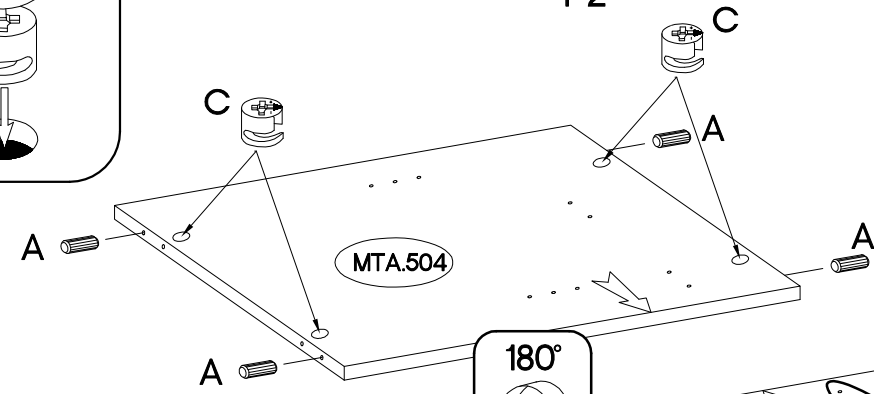
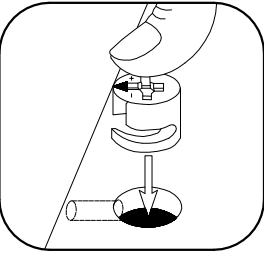
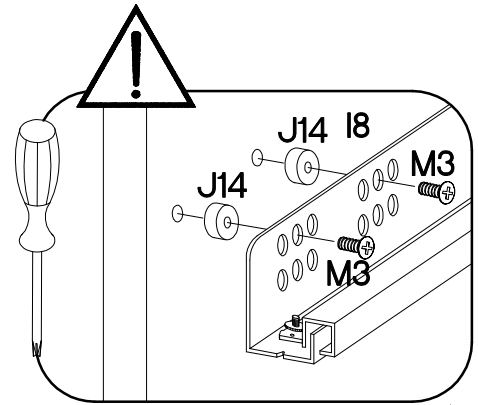
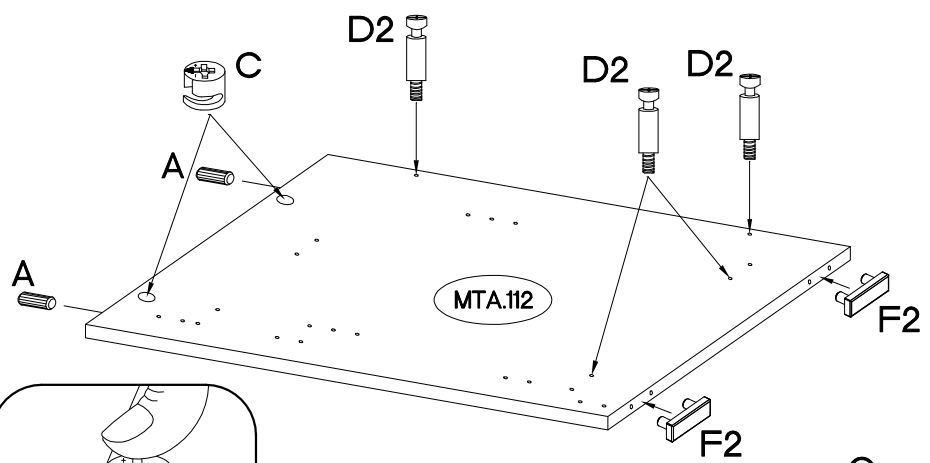
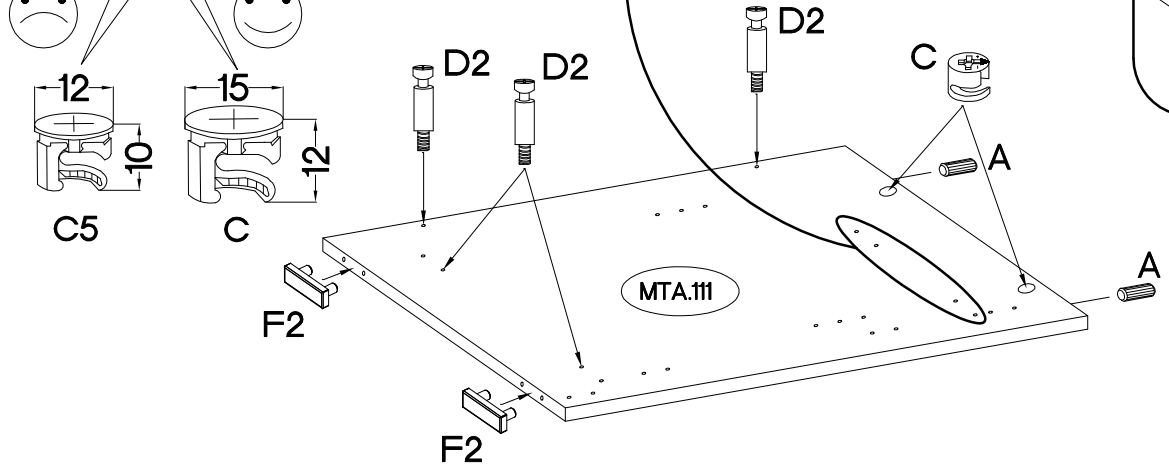
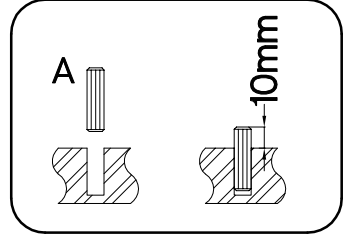
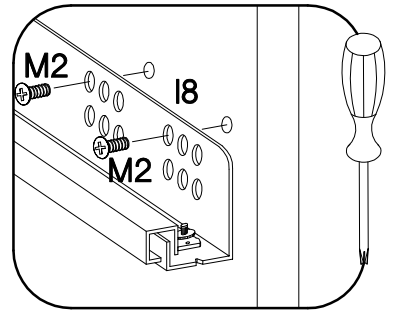
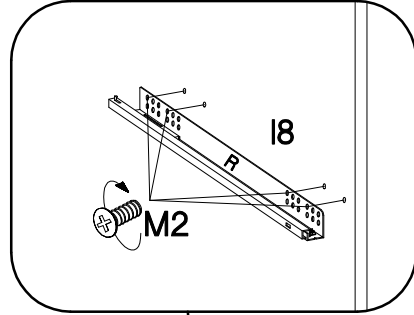
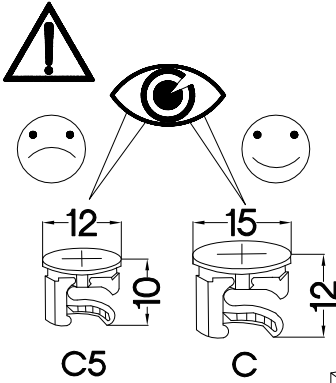


5

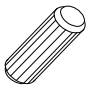




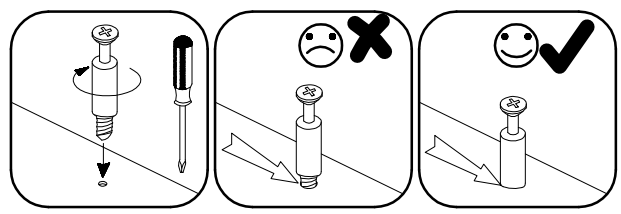
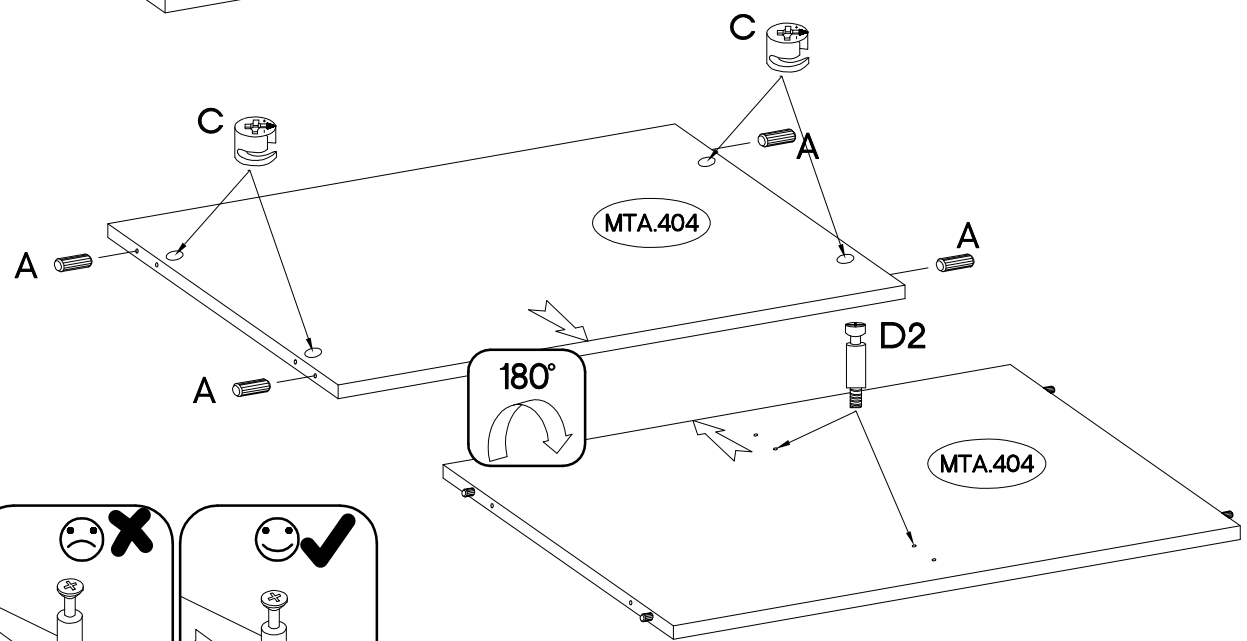
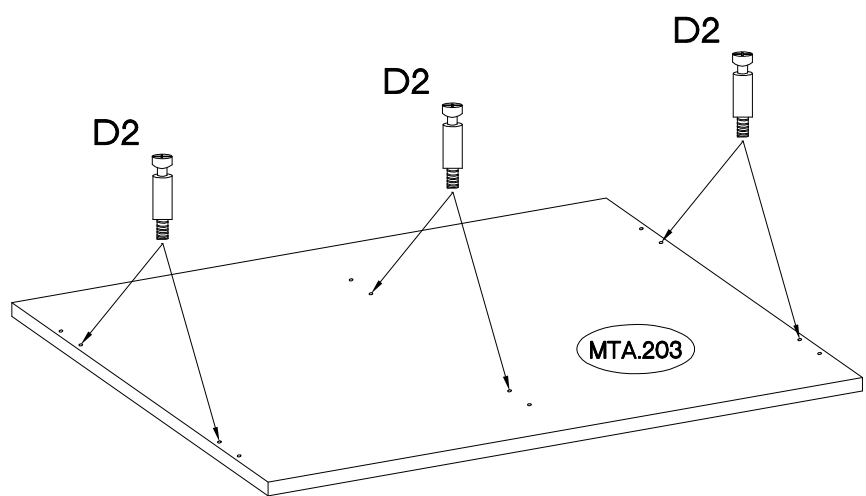
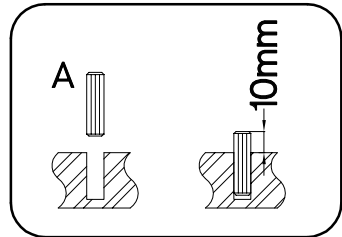
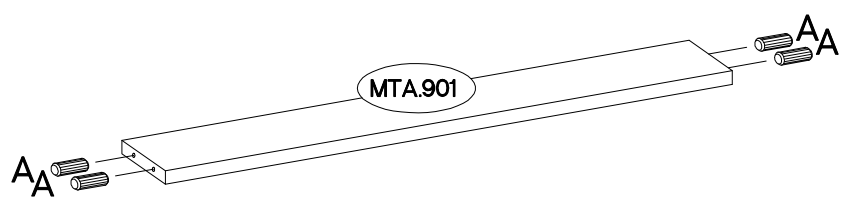
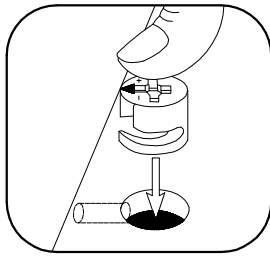
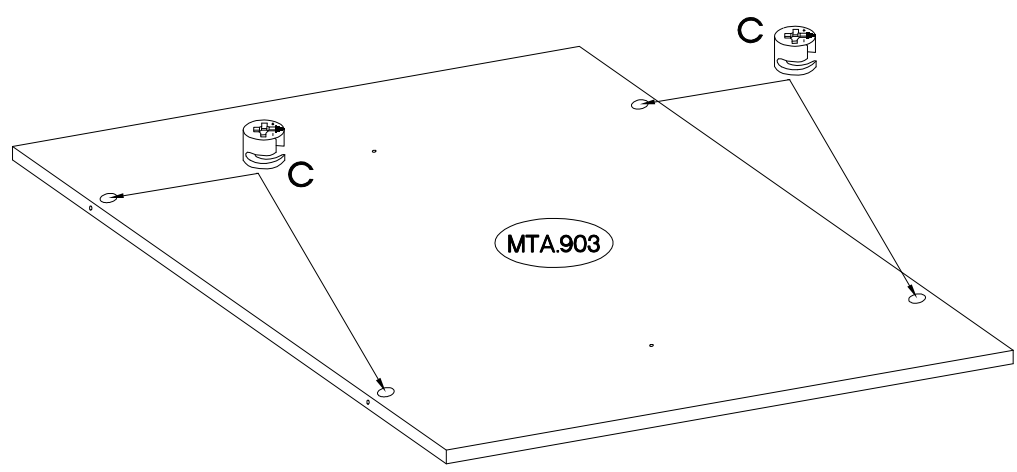
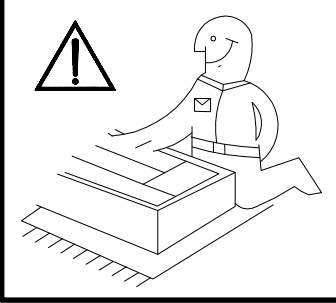


$\pm 8 \times 30 \text{mm}$ A 8	$6.5 \times 48 \times 16$ F2 4	$L=20 \text{mm}$ D2 8	$\pm 15/12 \text{mm}$ C 8	[CD] L=350mm 1	$\pm 20/8 \text{mm}$ J14 4
$\pm 6.3 \times 13 \text{mm}$ M2 4	$\pm 6.3 \times 20 \text{mm}$ M3 4				

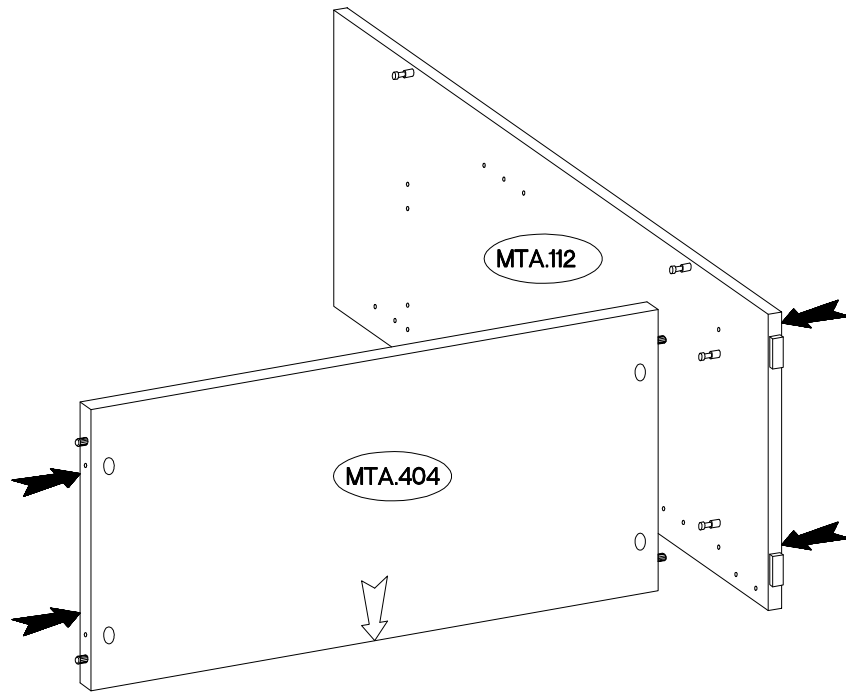
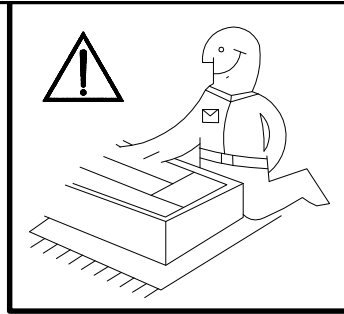


7

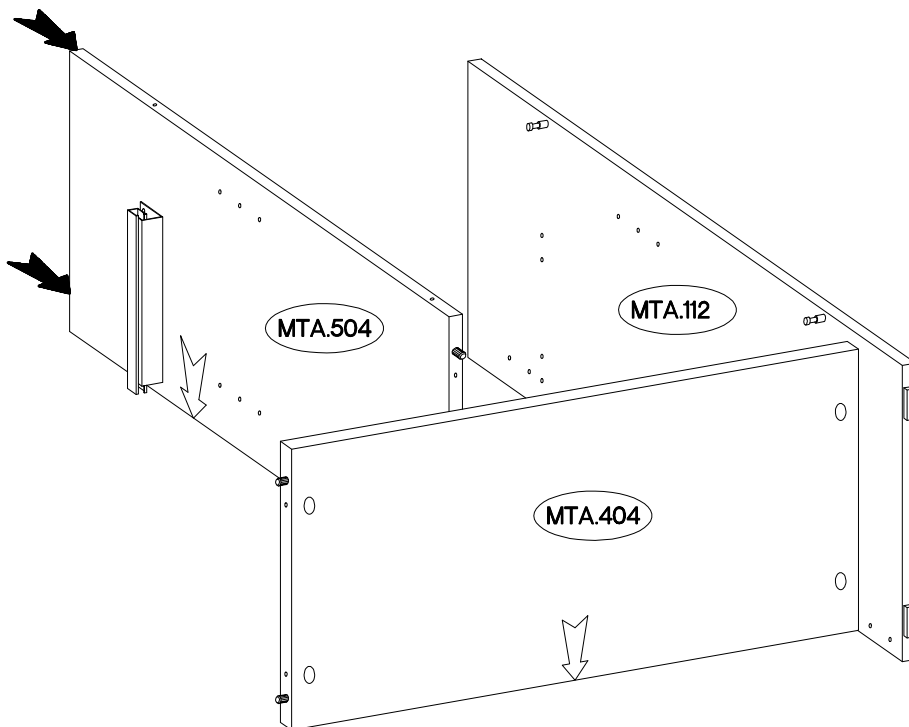
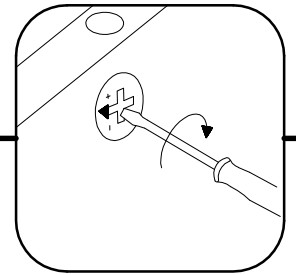
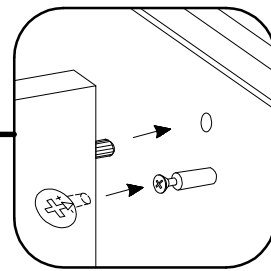
$\varnothing 8 \times 30 \text{mm}$  A	$\varnothing 15/12 \text{mm}$  C	L=20mm  D2
8	8	8



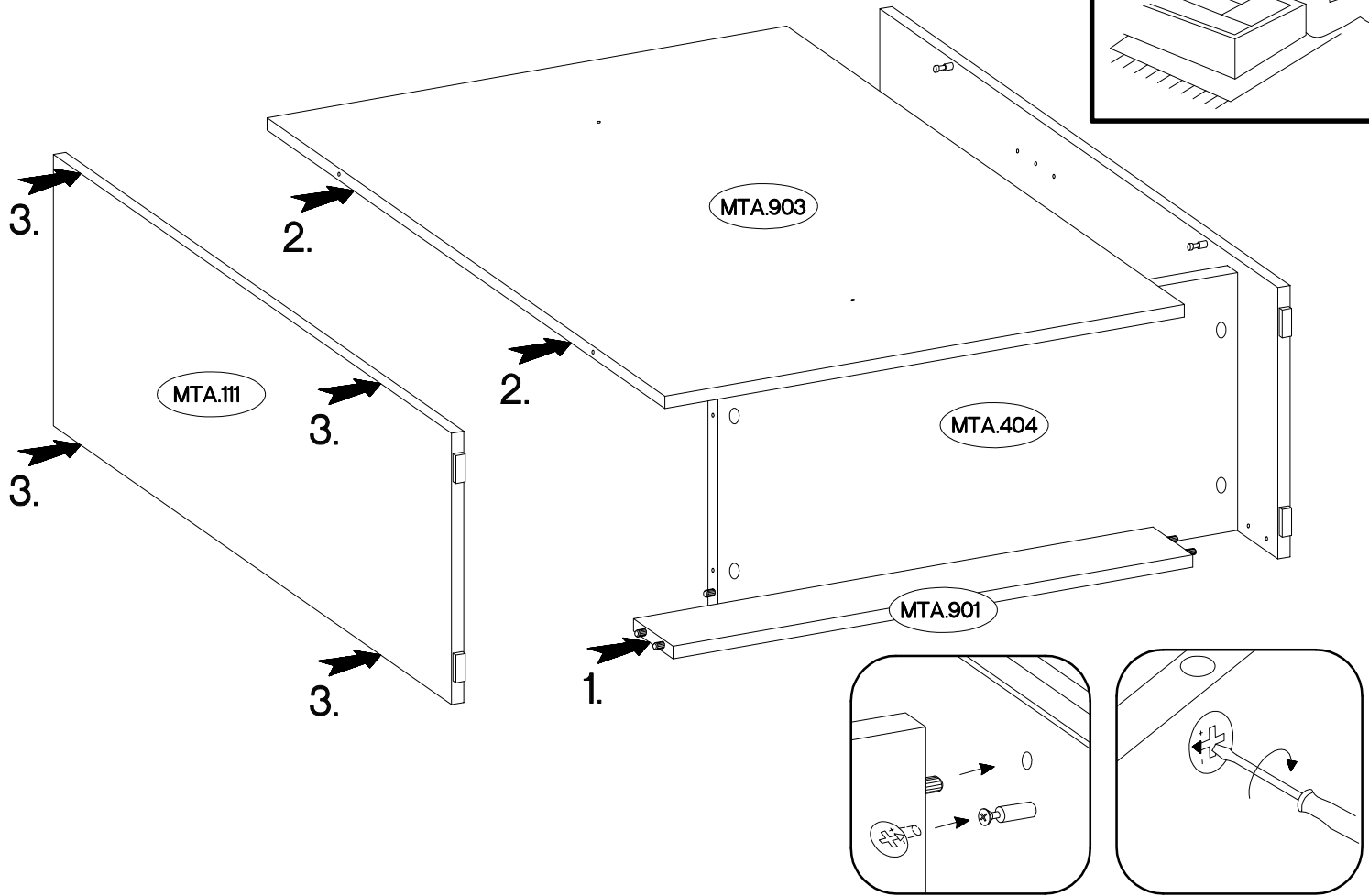
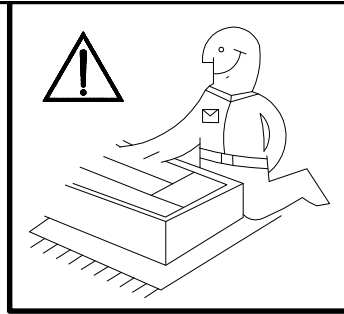
8



9

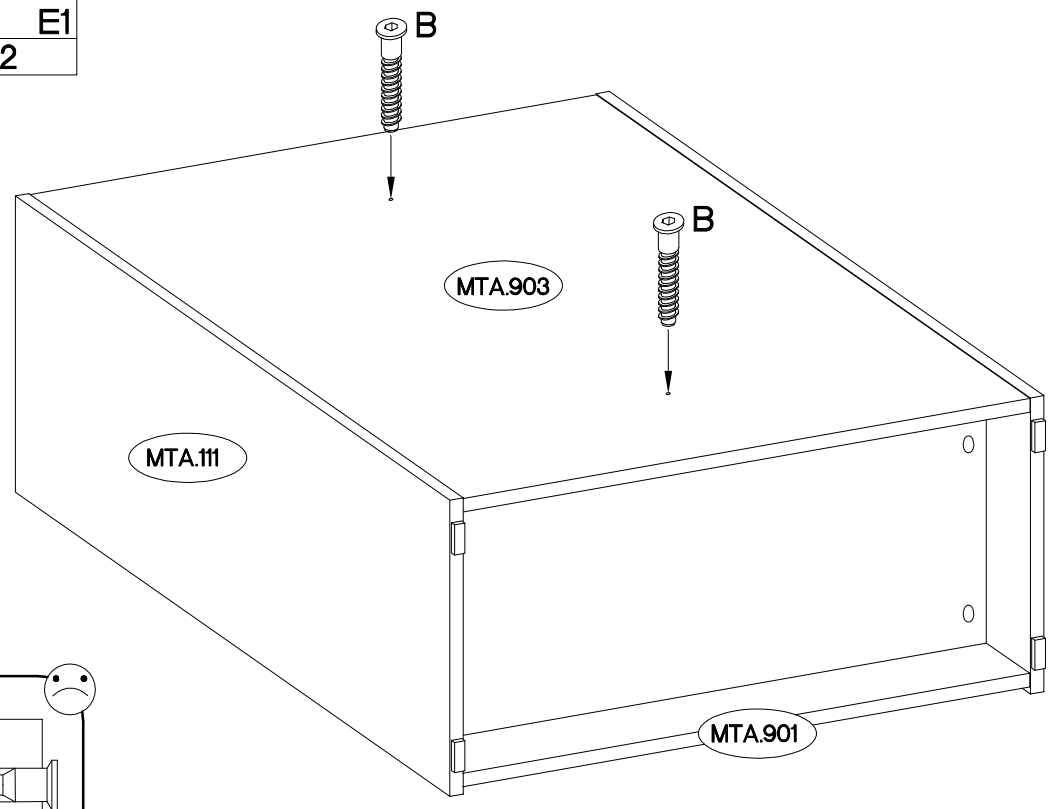
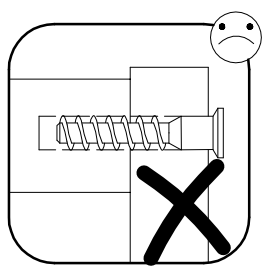
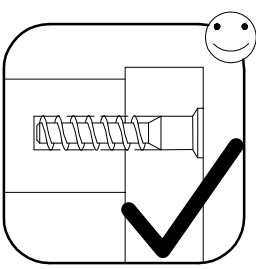
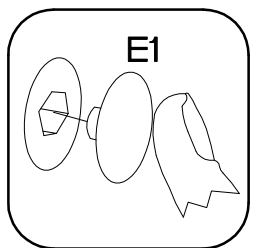
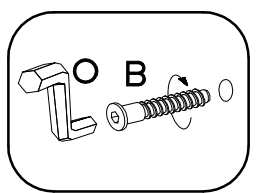


10

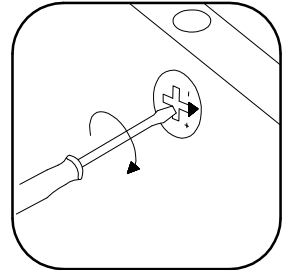
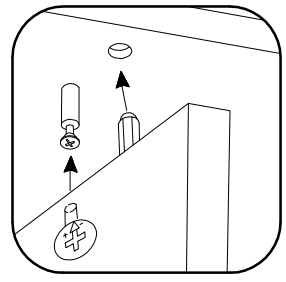
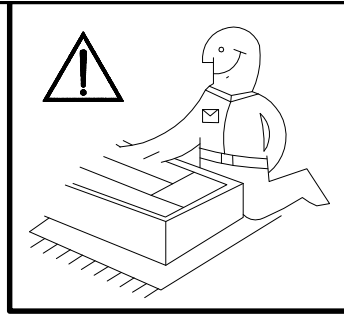
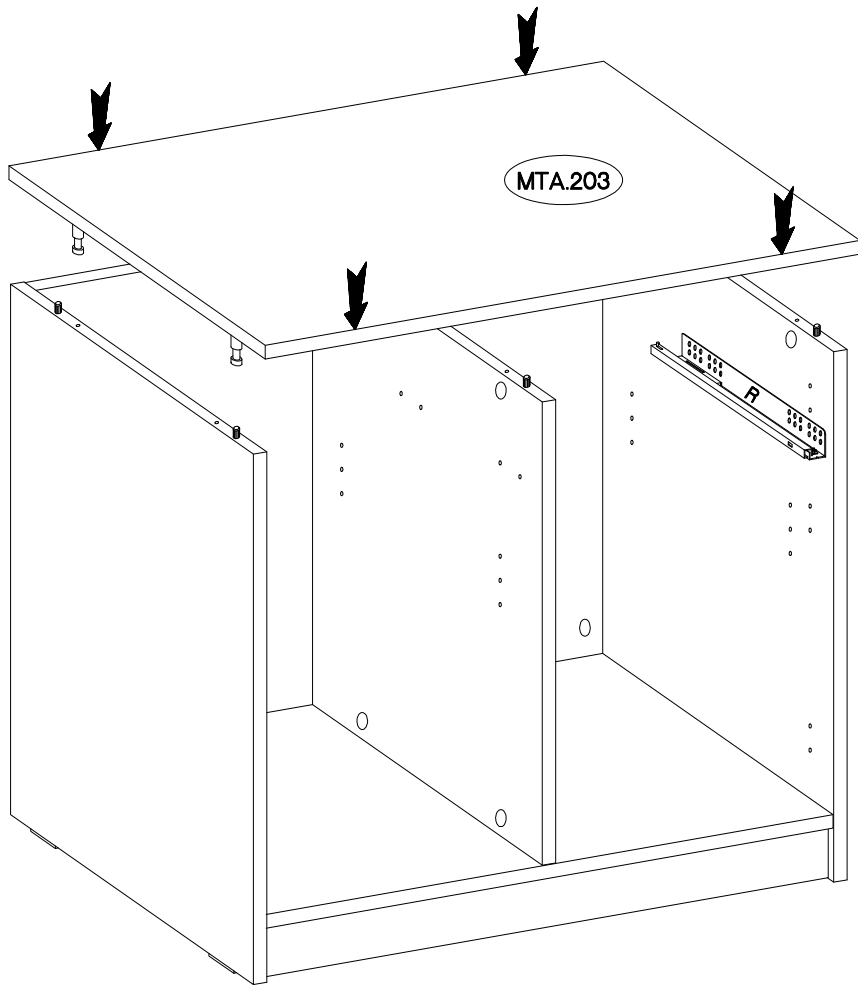


11

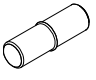
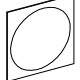
6,4 x 50mm		
B	O	E1
2	1	2

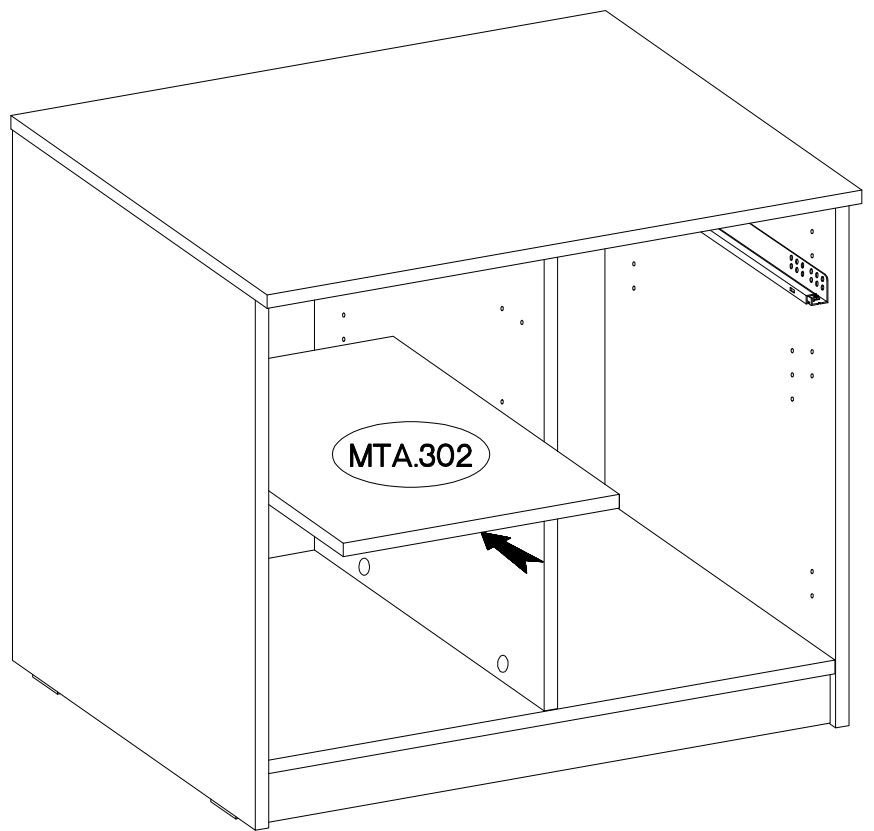
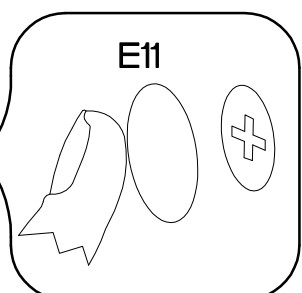
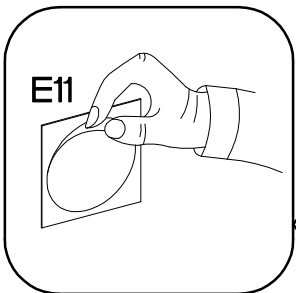
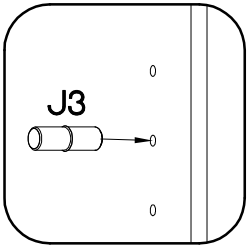



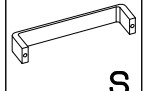

12

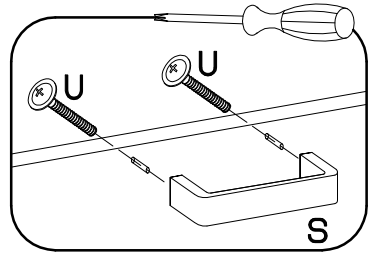
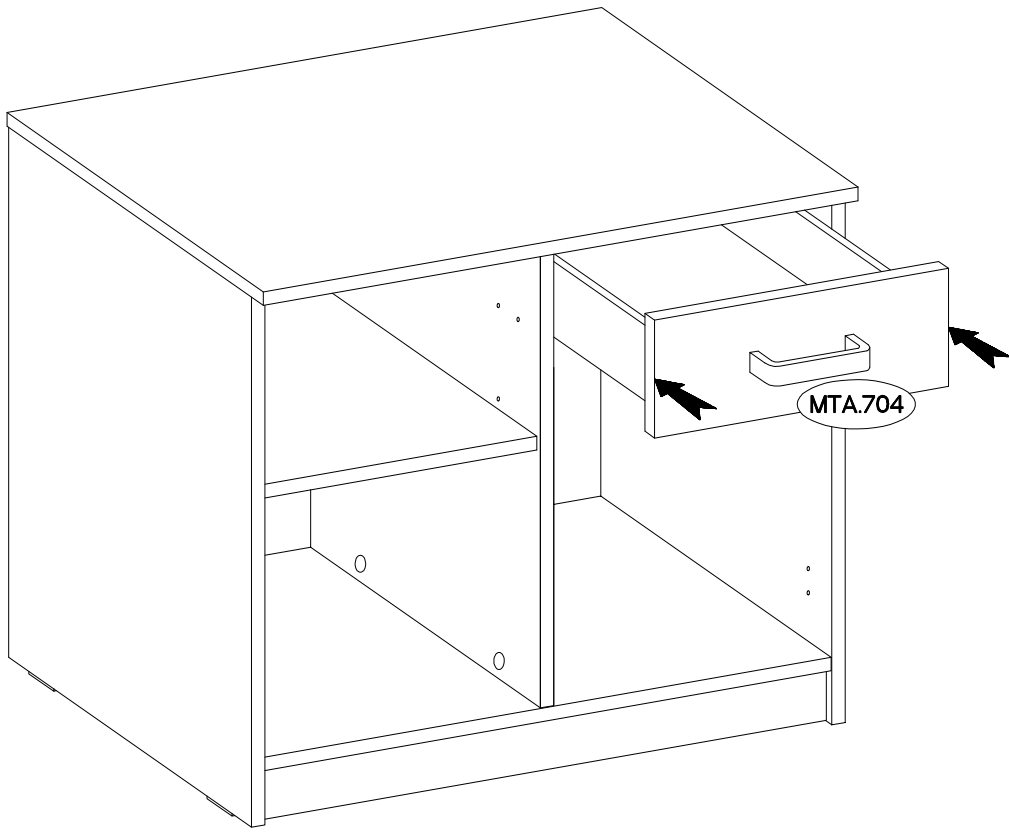


13

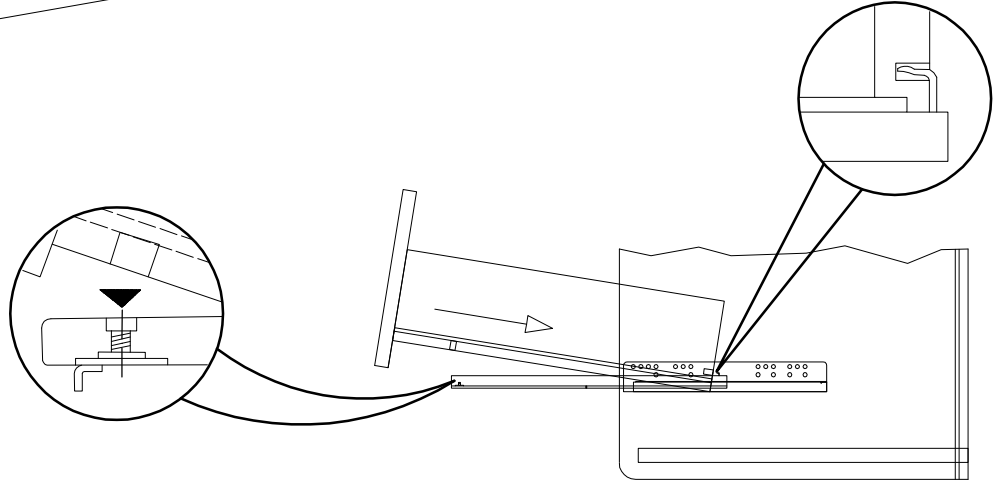
±5/16mm  J3 4	±20  E11 10
---	---



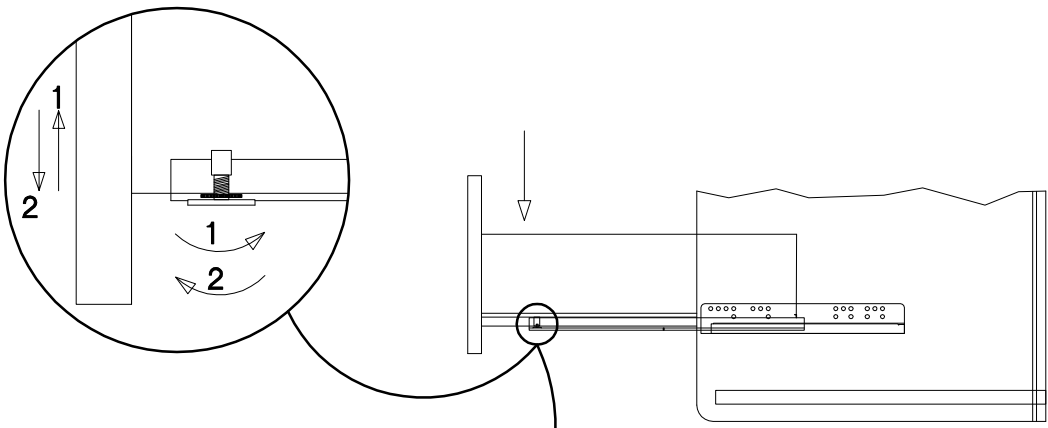
±3.0x20mm  P7 2	L=128mm  S 1	M4x22mm  U 2
--	---	---



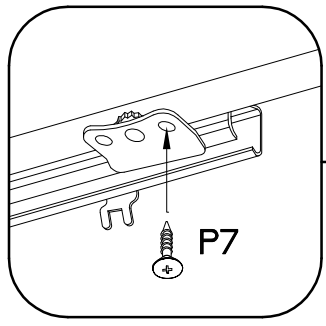
1.

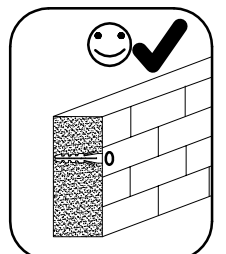
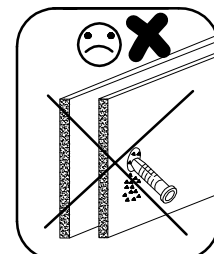
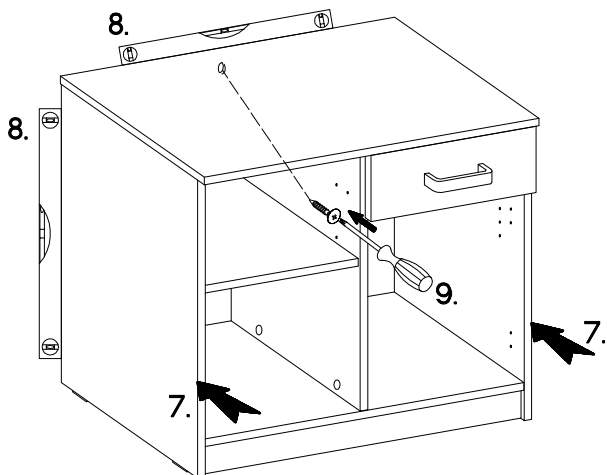
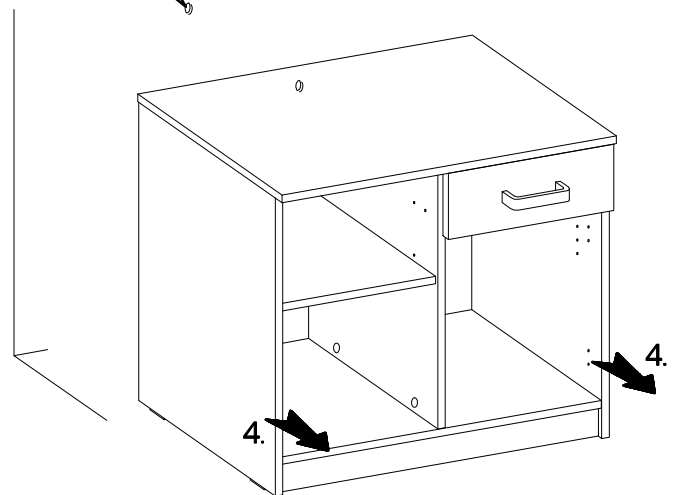
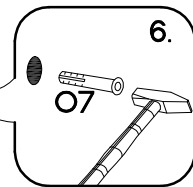
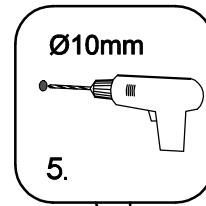
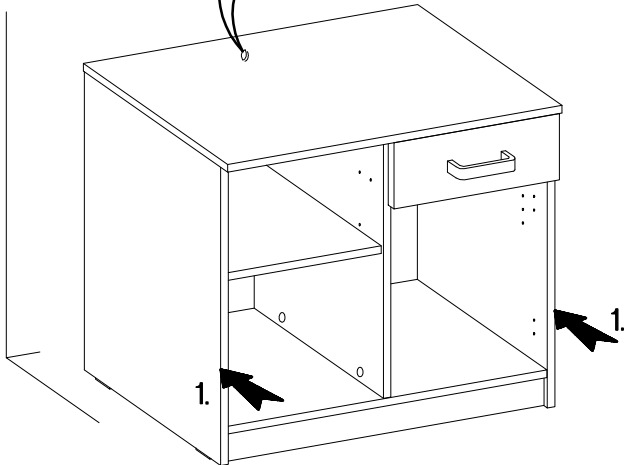
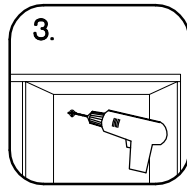
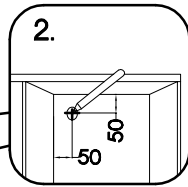
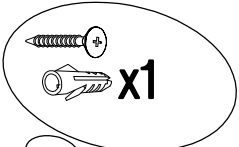
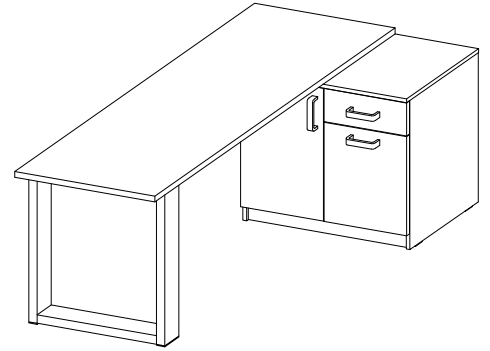
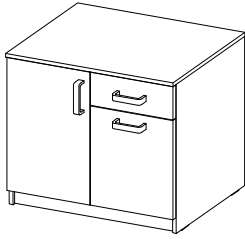


2.



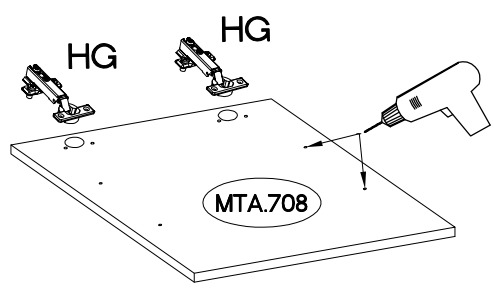
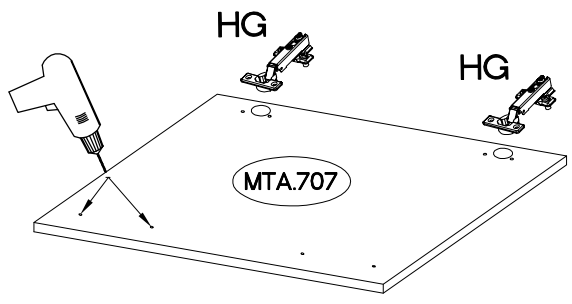
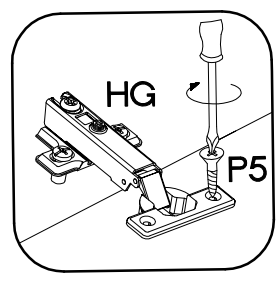
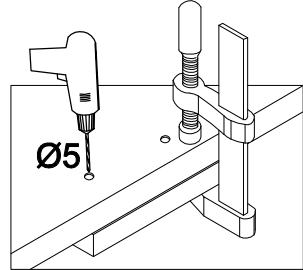
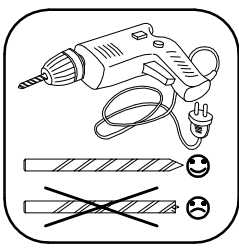
3.





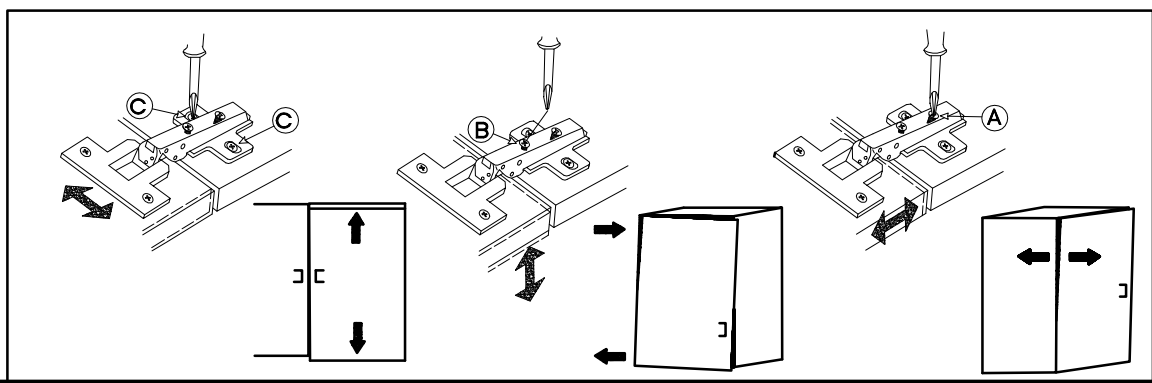
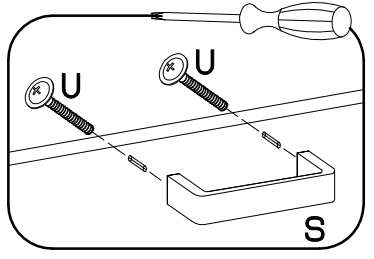
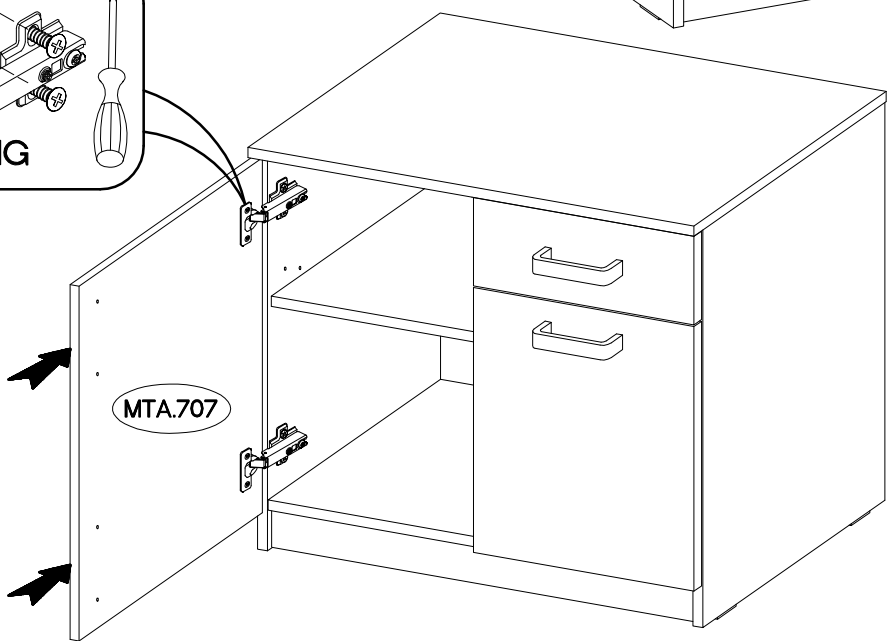
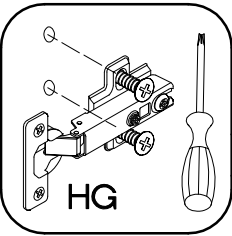
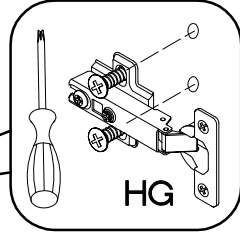
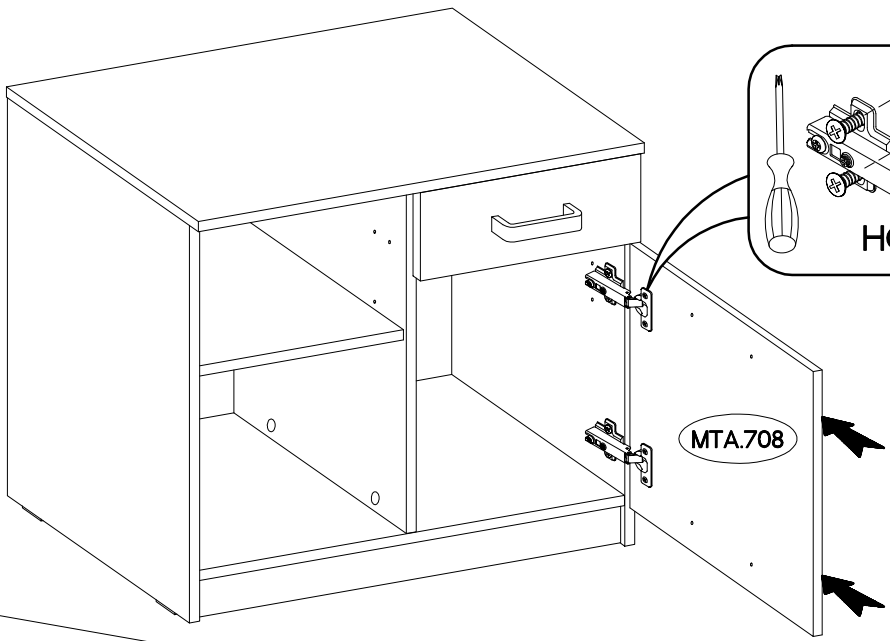
16





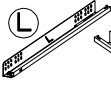

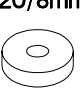


±35/0mm HG 4	±3.5x13mm P5 8
--------------------	----------------------

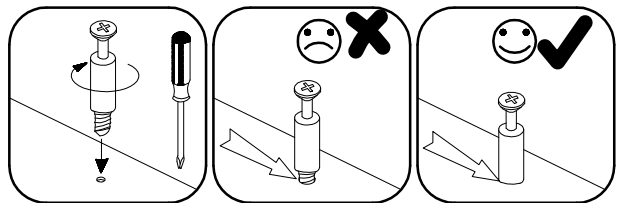
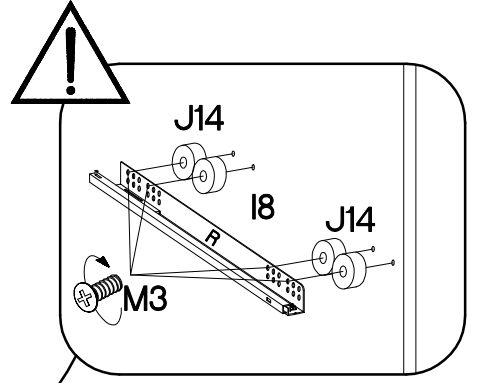
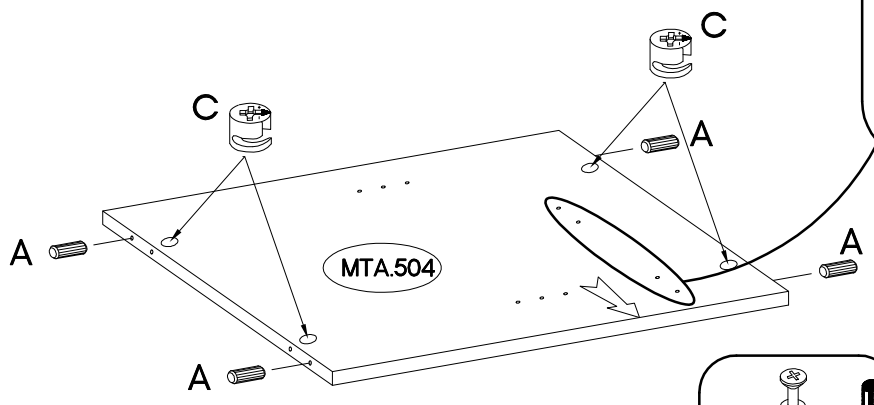
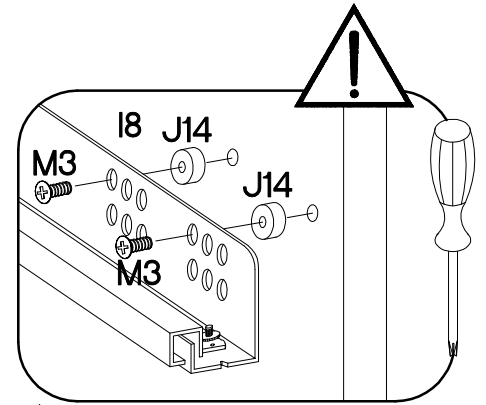
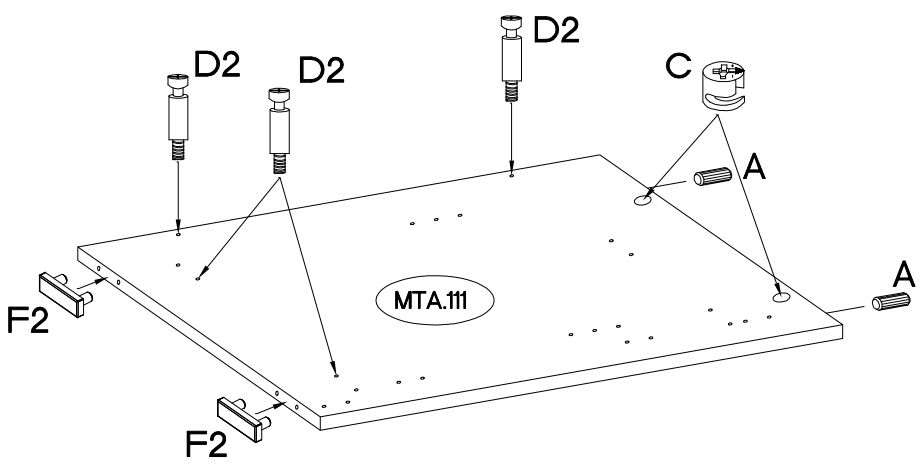
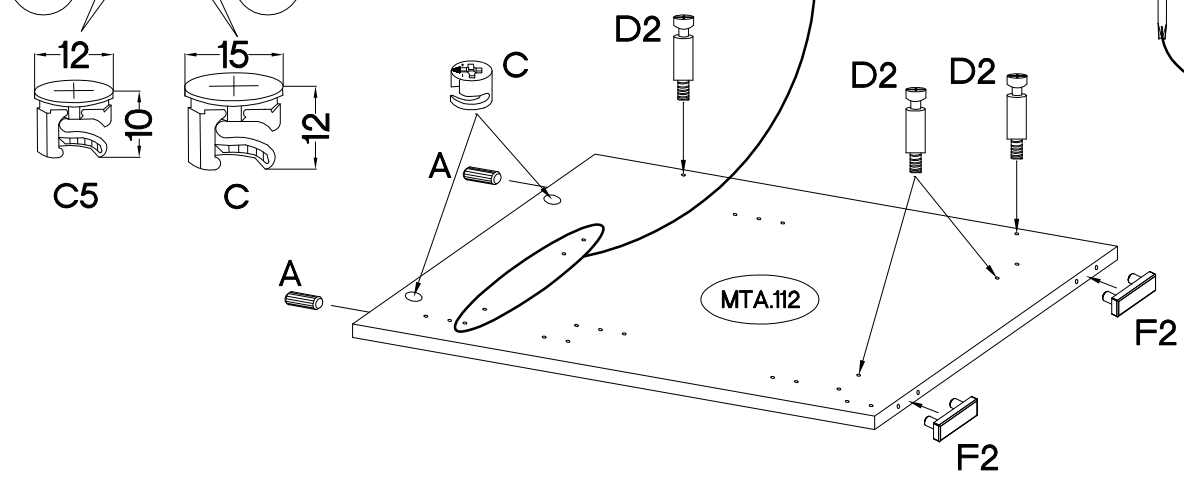
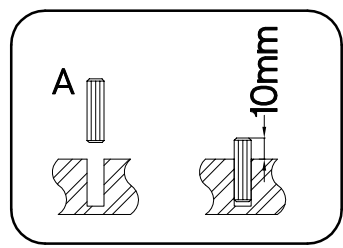
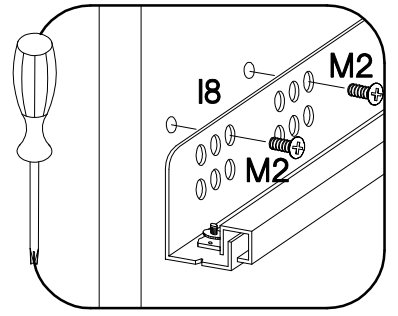
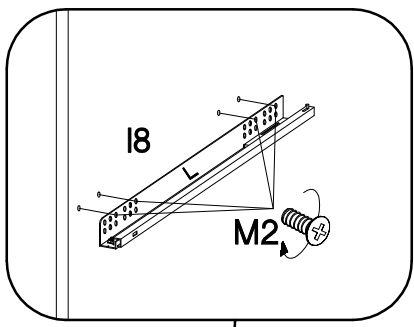
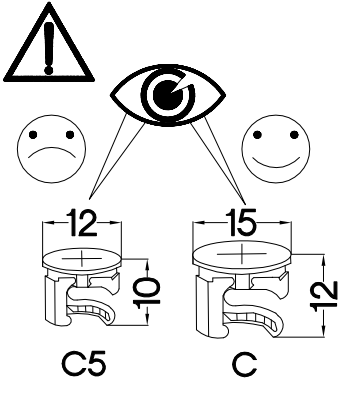
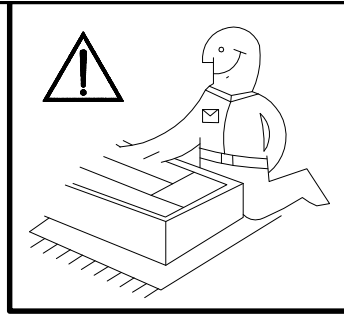





17

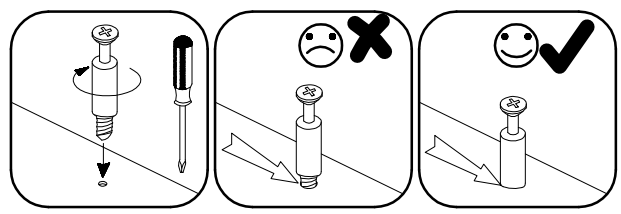
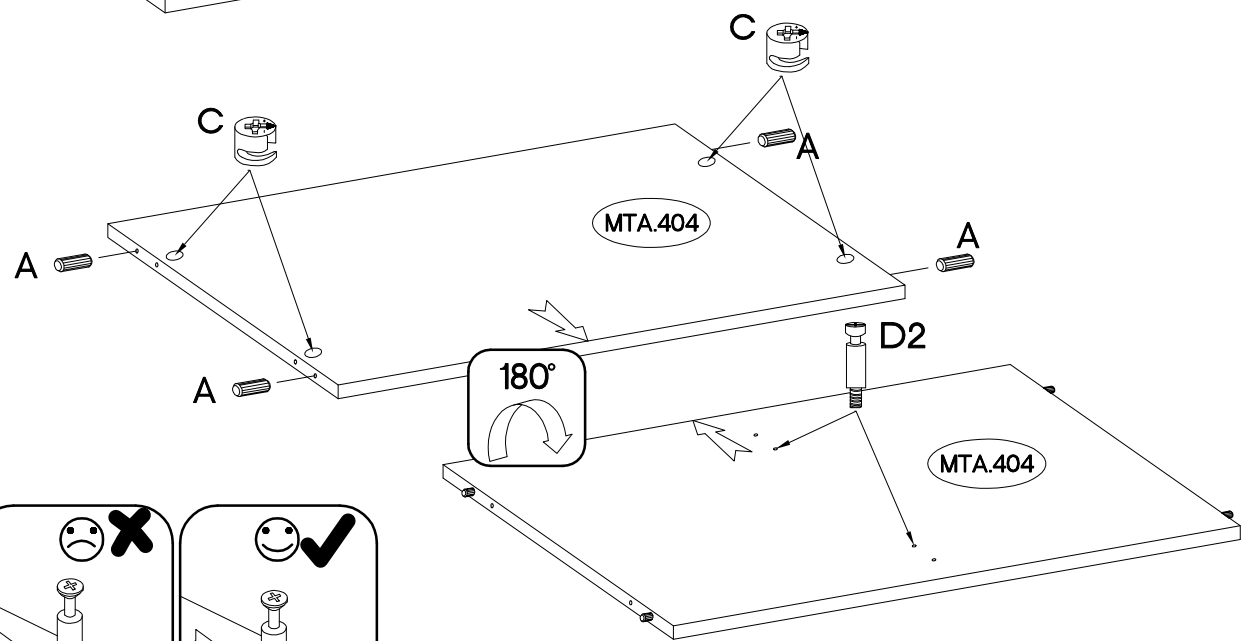
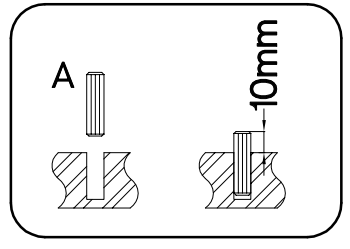
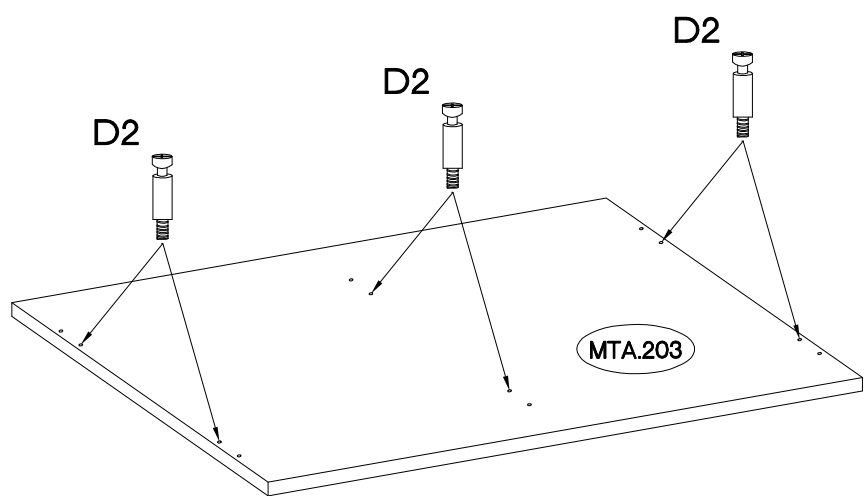
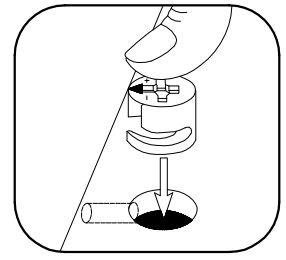
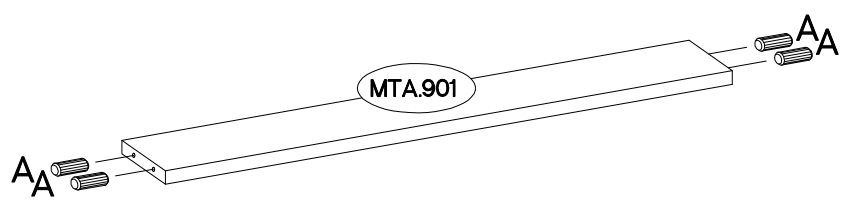
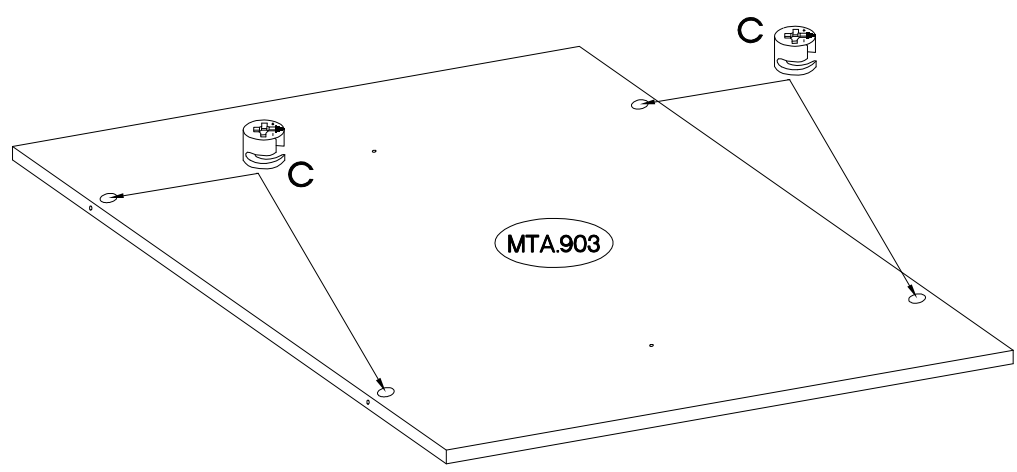
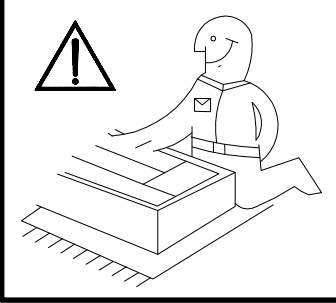
L=128mm S 2	M4x22mm U 4
-------------------	-------------------



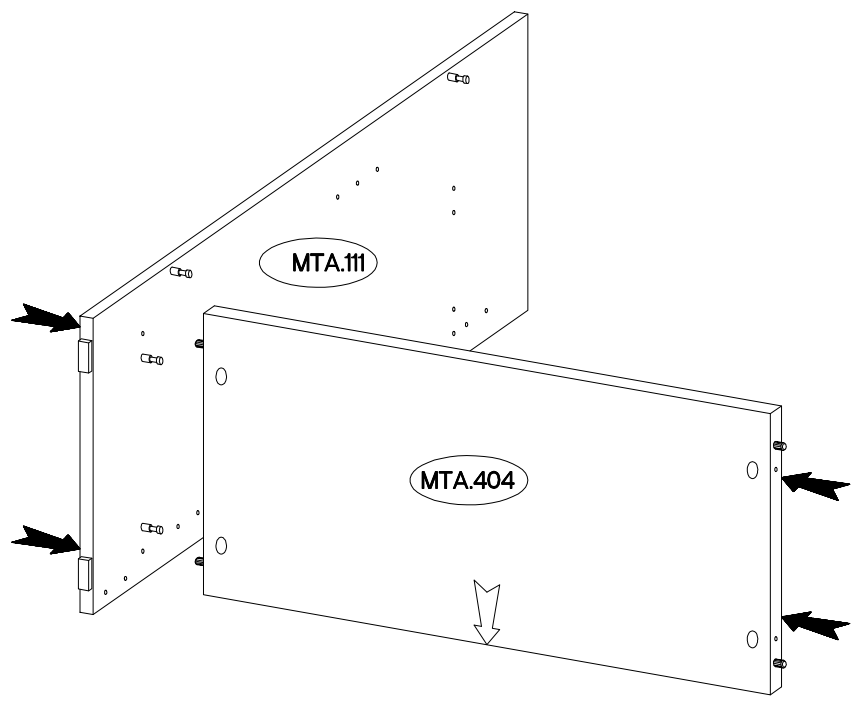
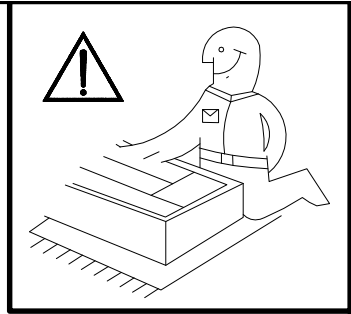
$\varnothing 8 \times 30 \text{mm}$  8 4	$6.5 \times 48 \times 16$  F2 4	$L=20 \text{mm}$  D2 8	$\varnothing 15/12 \text{mm}$  C 8	$L=350 \text{mm}$  L 1	[CD]  I8 1	$\varnothing 20/8 \text{mm}$  J14 4
$\varnothing 6.3 \times 13 \text{mm}$  M2 4	$\varnothing 6.3 \times 20 \text{mm}$  M3 4					



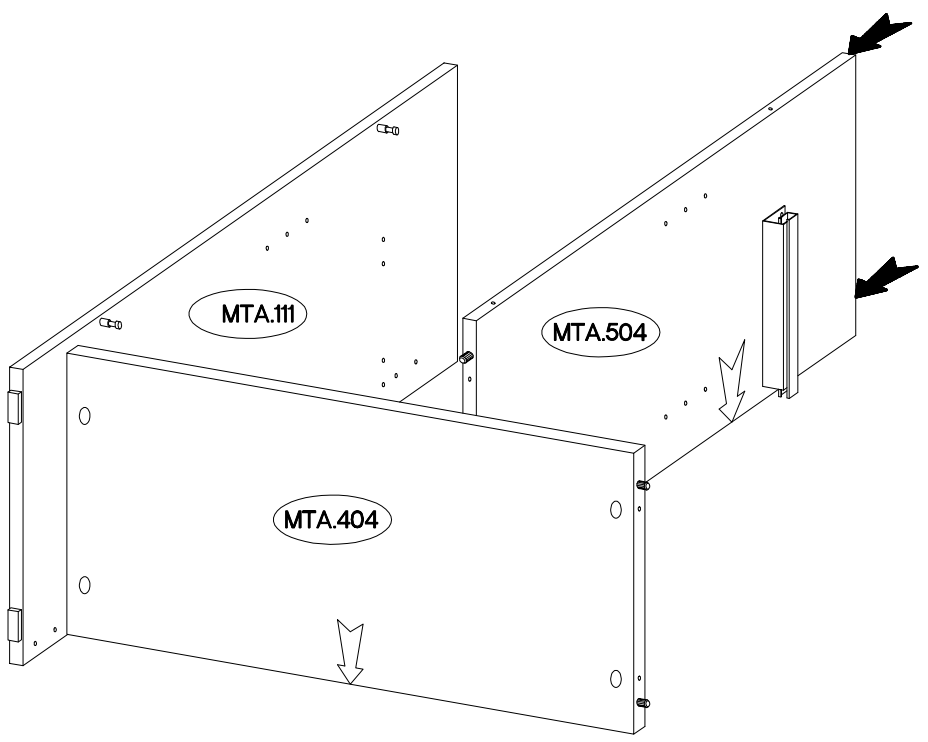
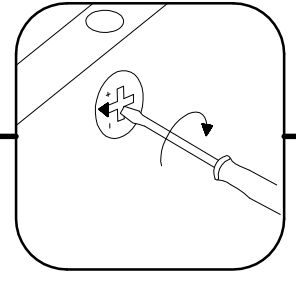
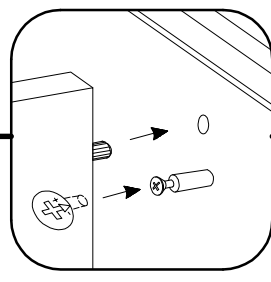
 #8x30mm A	 #15/12mm C	 L=20mm D2
8	8	8



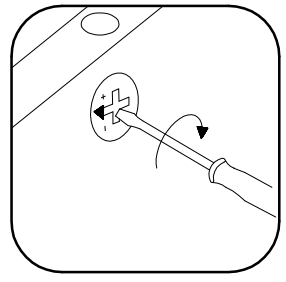
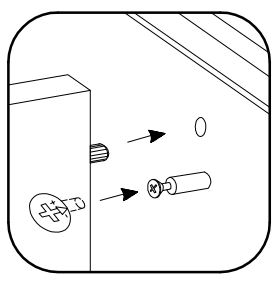
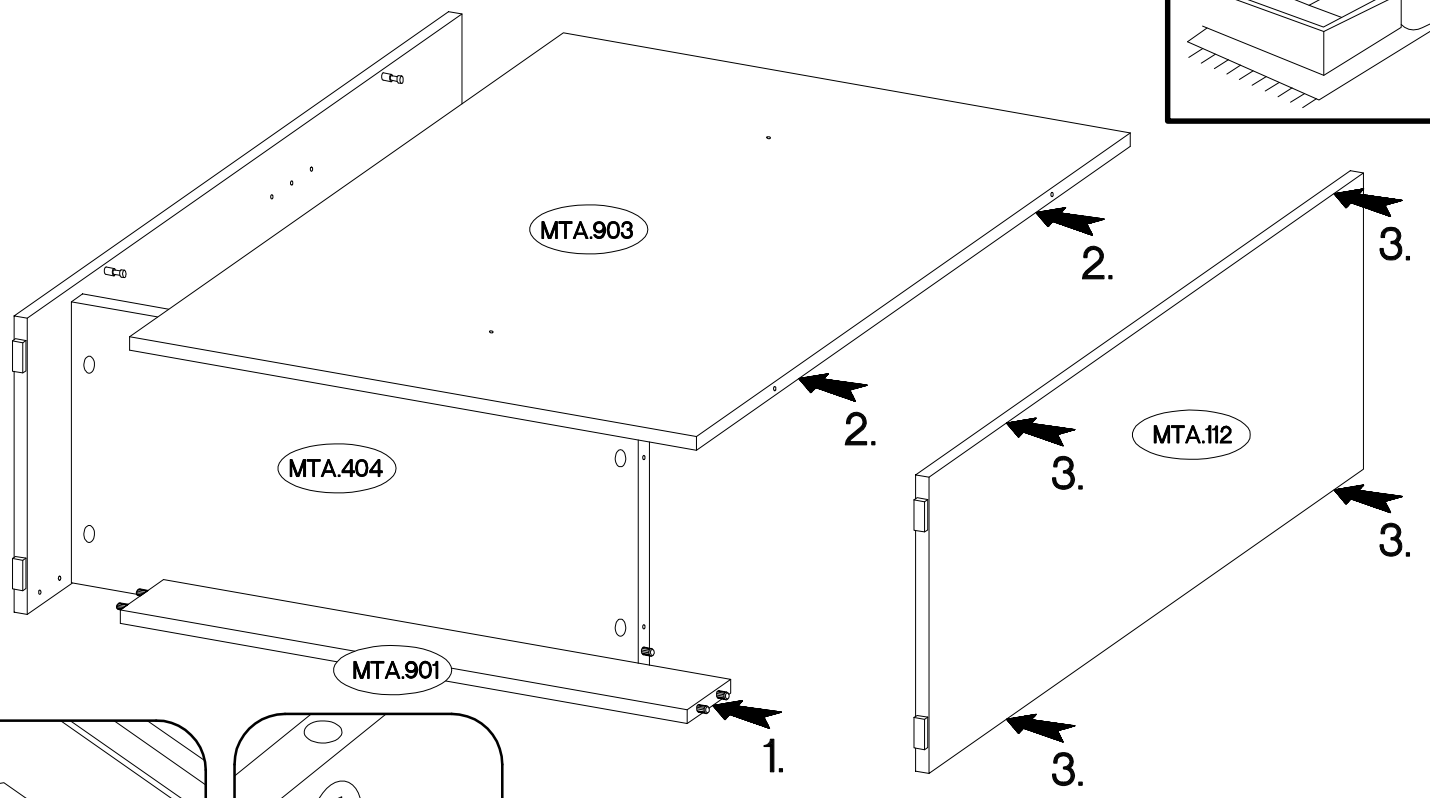
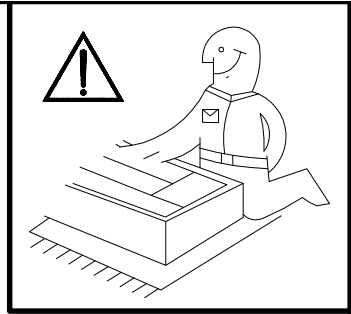
20



21

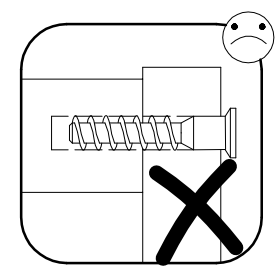
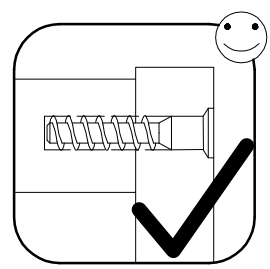
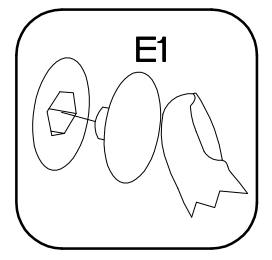
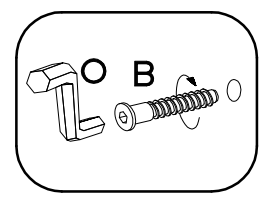
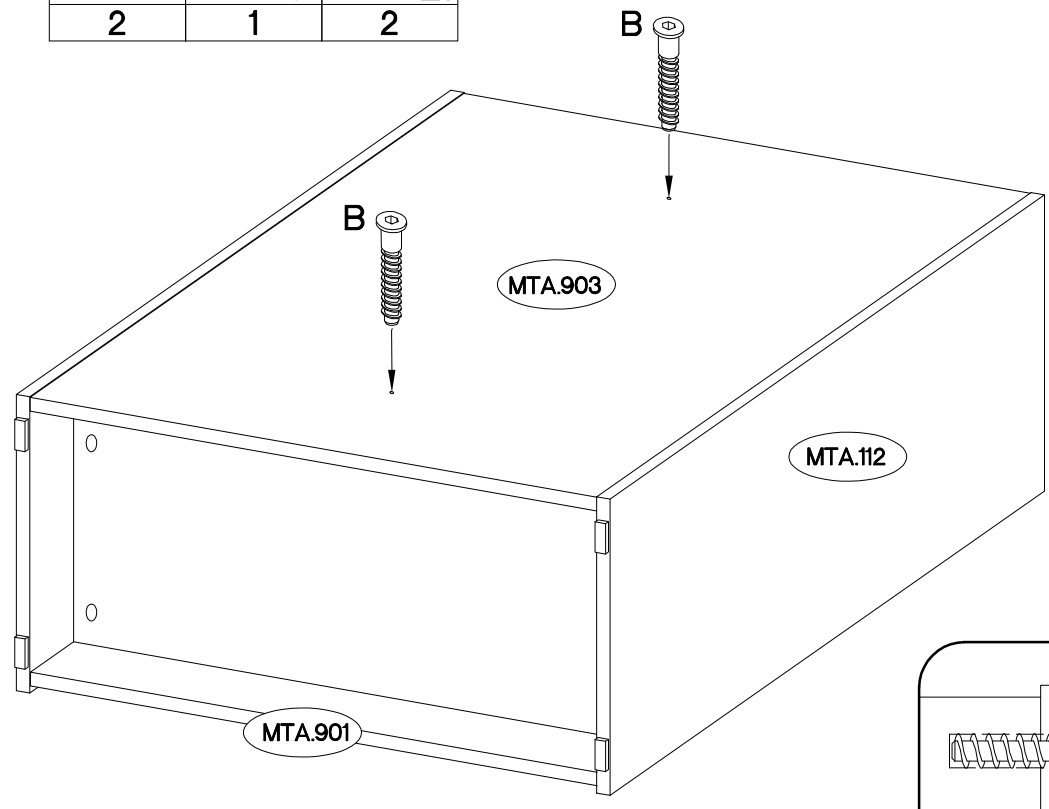


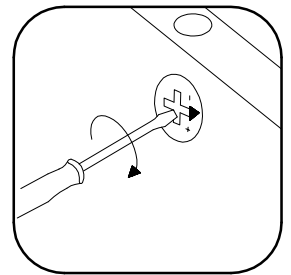
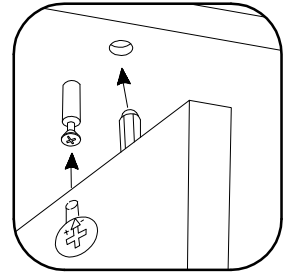
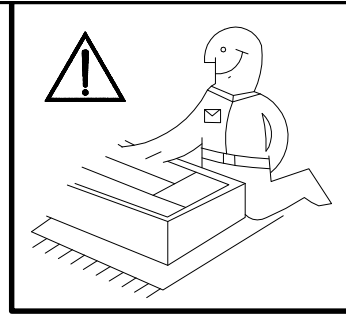
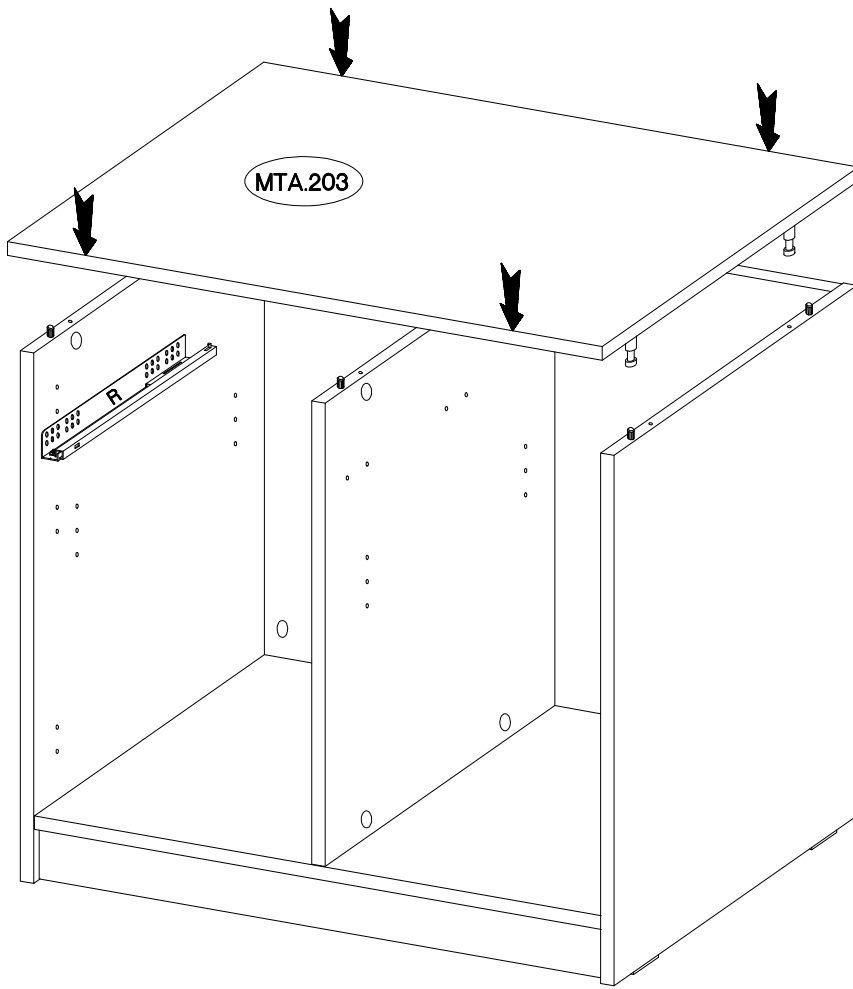
22

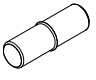
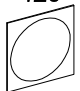


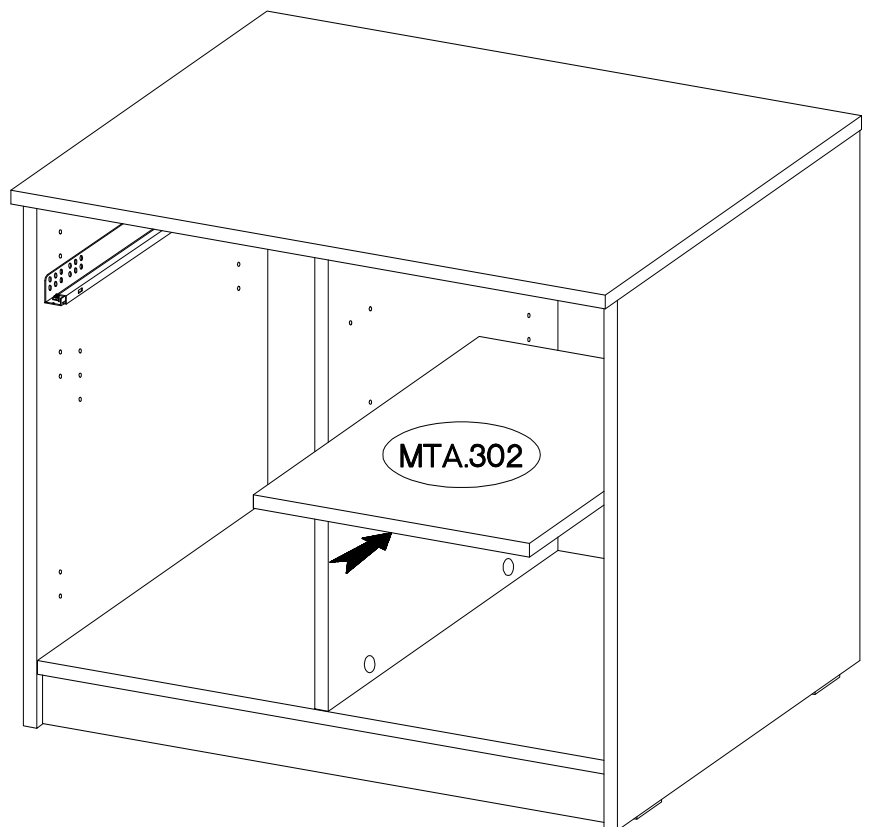
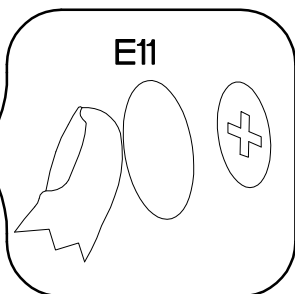
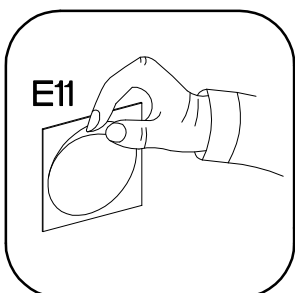
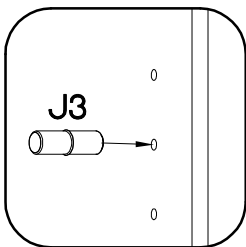
23




6,4 x 50mm			
	B	O	E1
	2	1	2

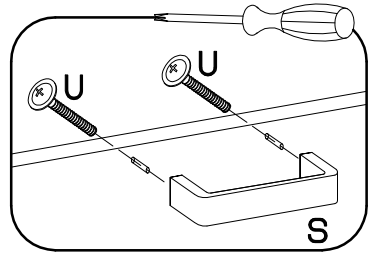
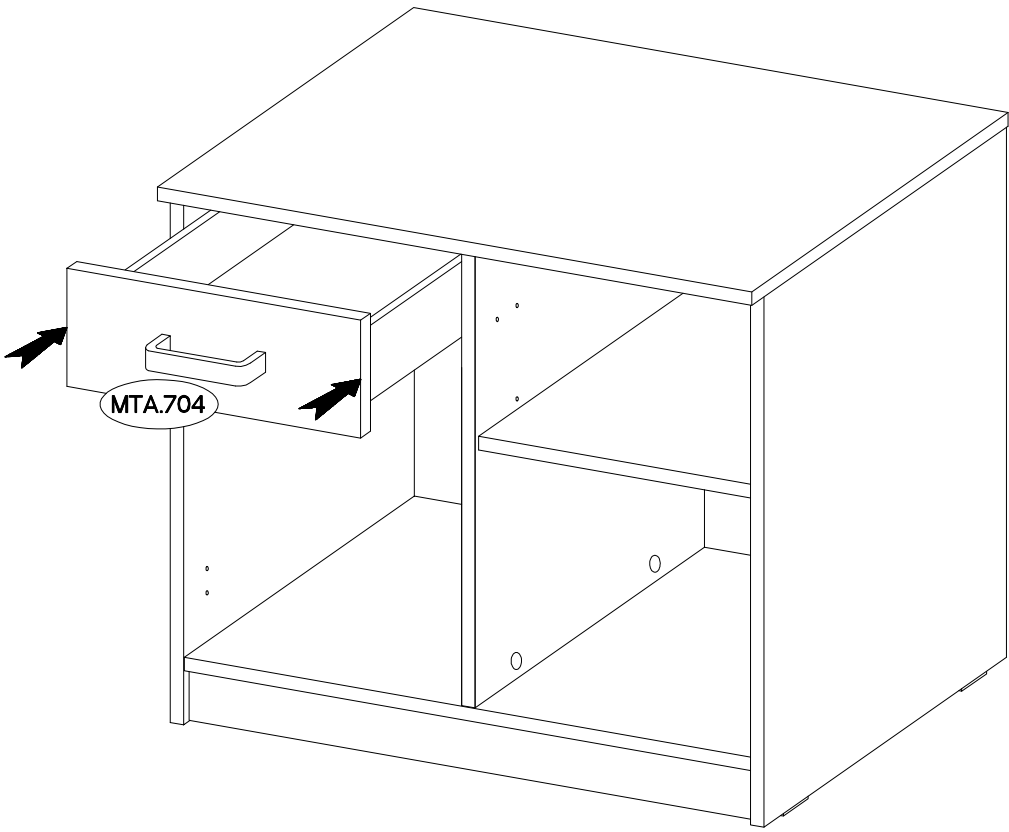




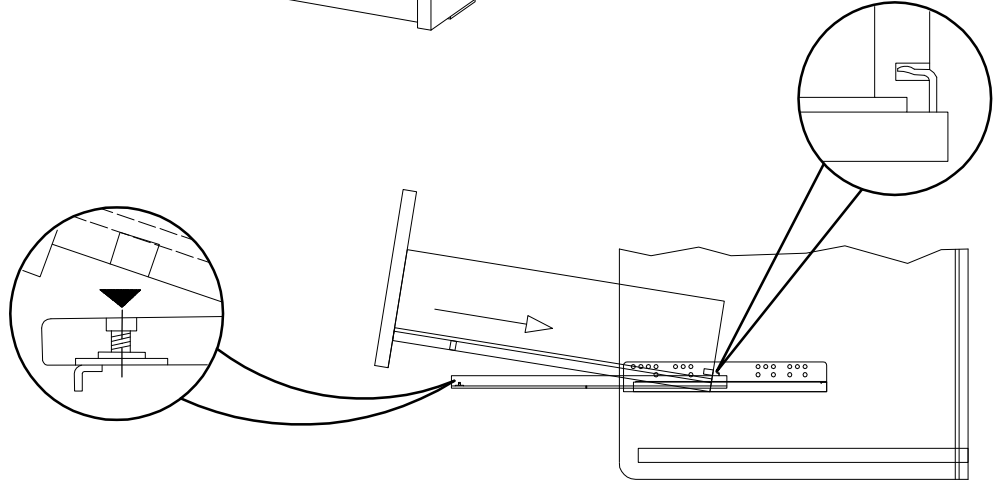
$\pm 5/16\text{mm}$  J3 4	± 20  E11 10
--	---



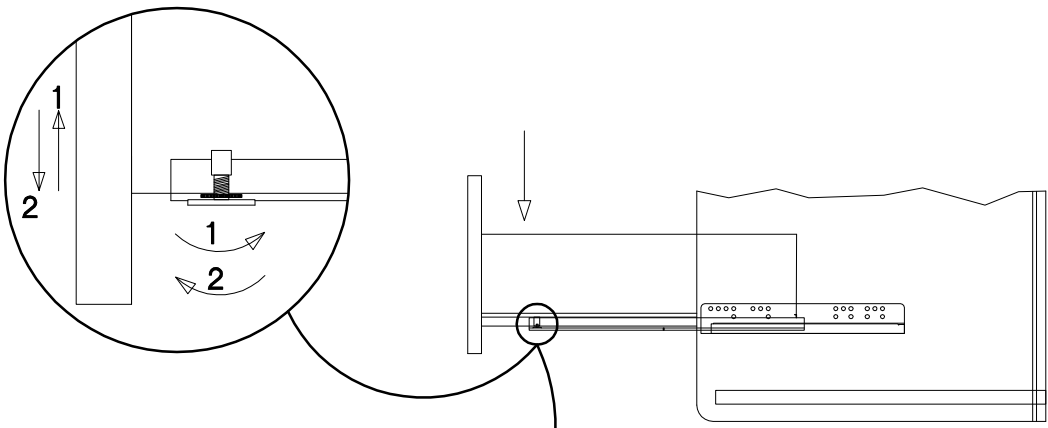
$\pm 3.0 \times 20 \text{mm}$  P7 2	L=128mm  S 1	M4x22mm  U 2
--	---	---



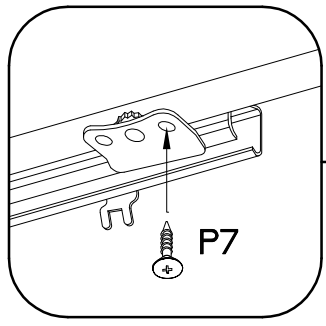
1.

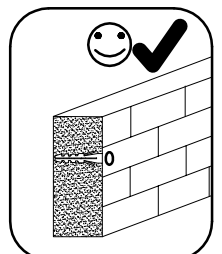
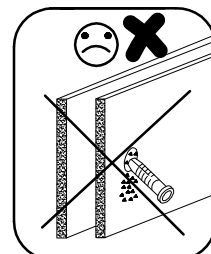
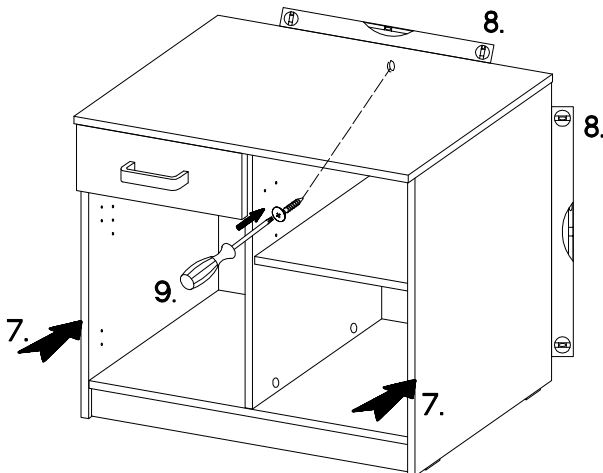
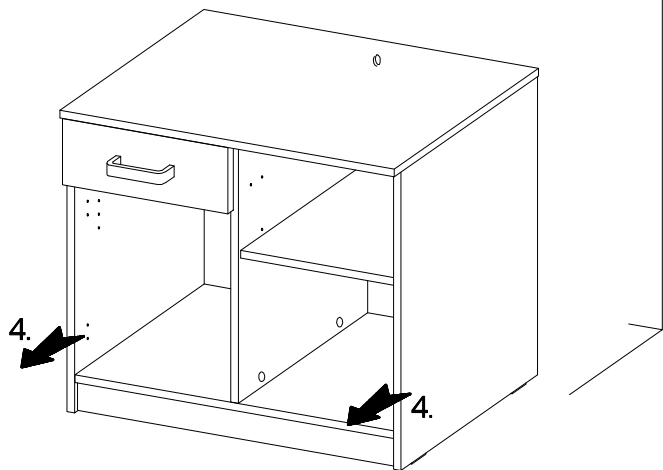
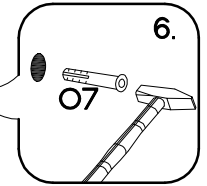
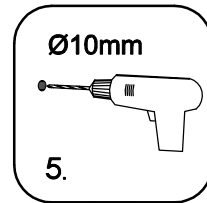
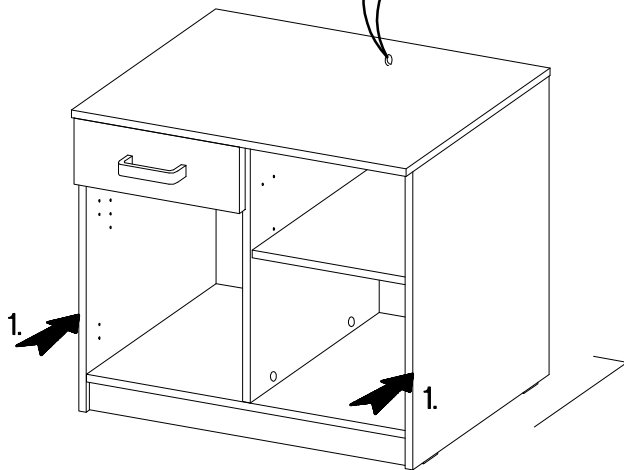
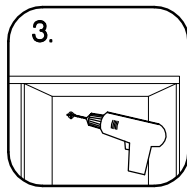
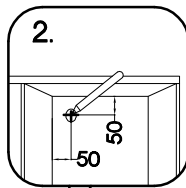
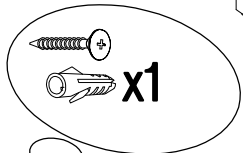
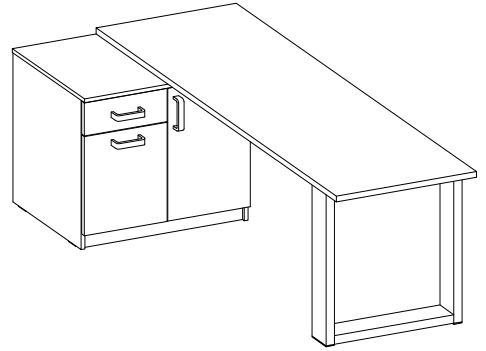
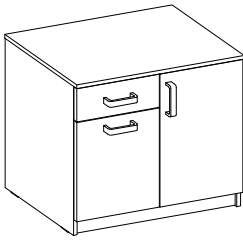


2.



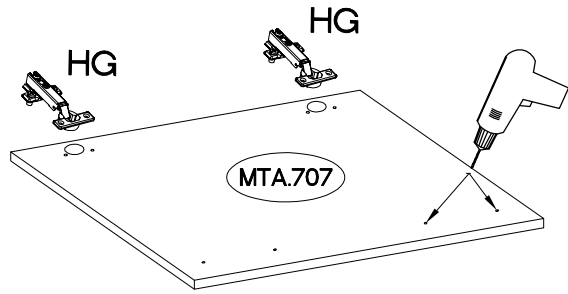
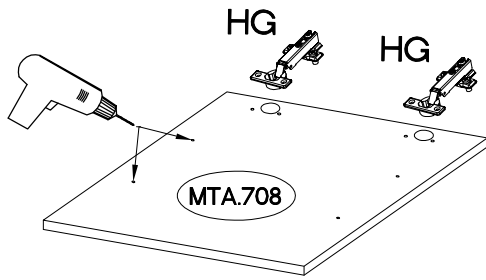
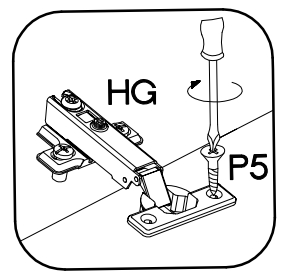
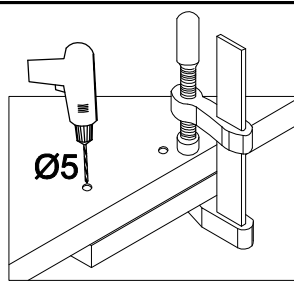
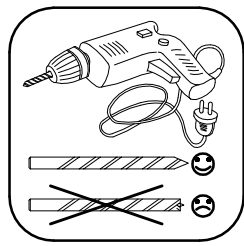
3.





28

±35/0mm HG 4	±3.5x13mm P5 8
--------------------	----------------------



29

L=128mm S 2	M4x22mm U 4
-------------------	-------------------

