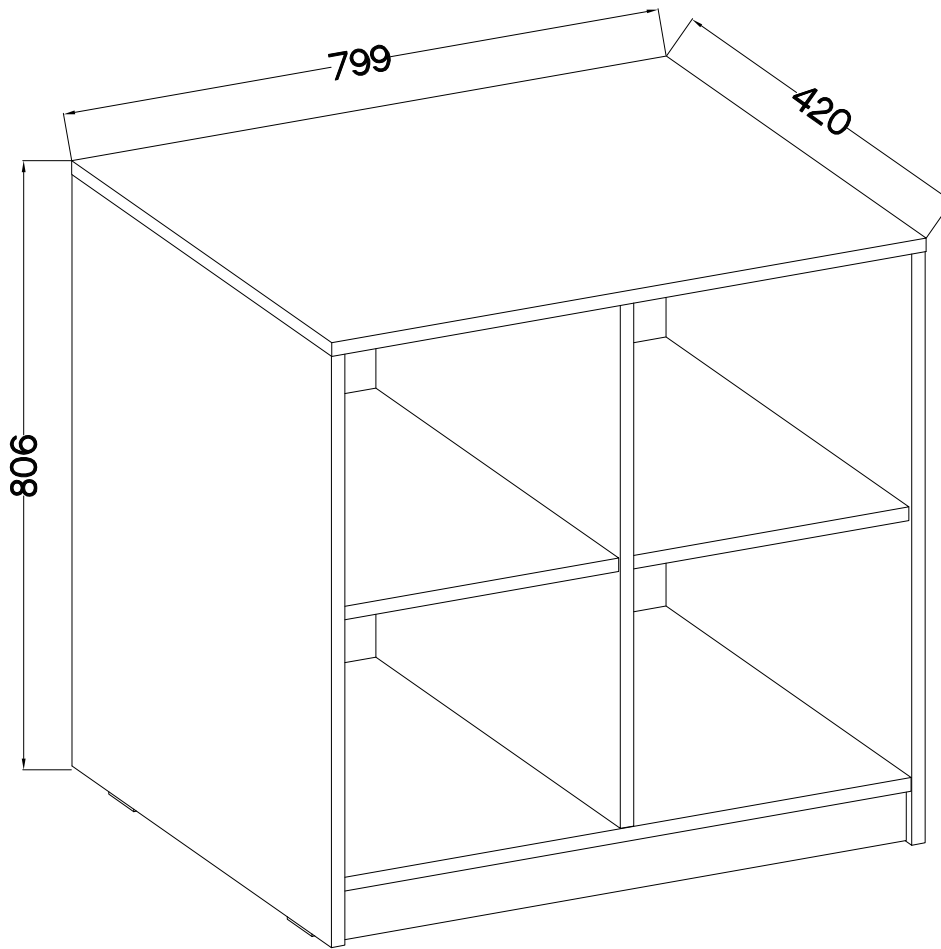
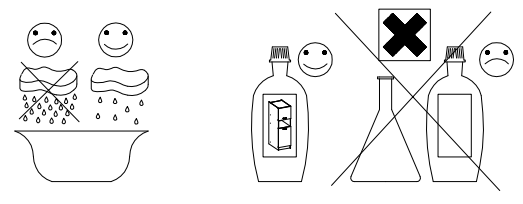
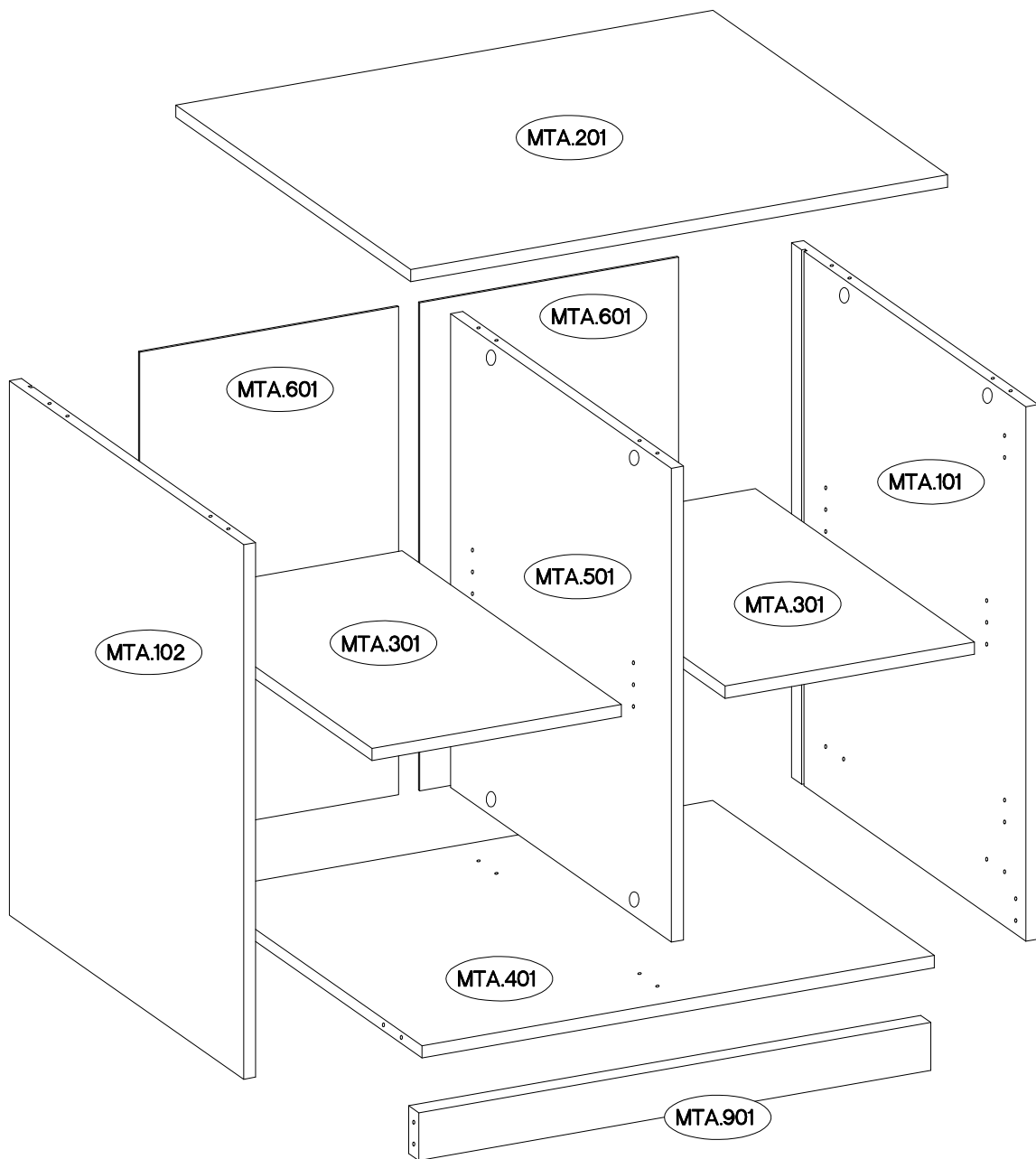


MALTA  
TYP 101

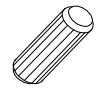
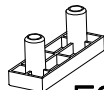




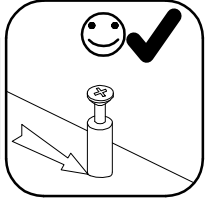
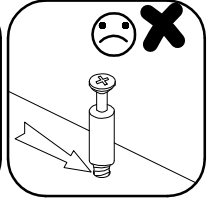
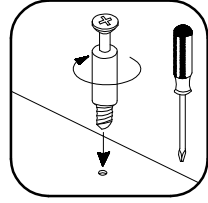
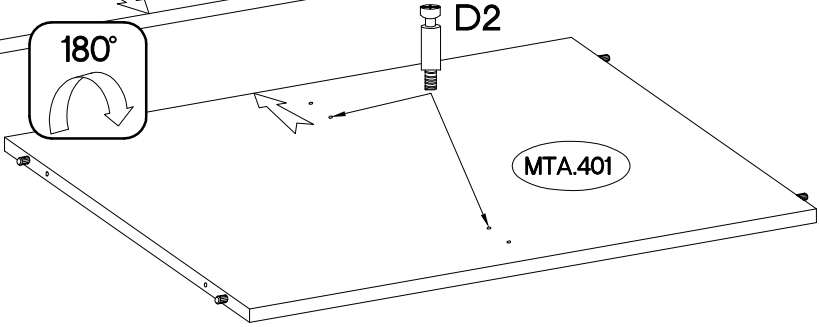
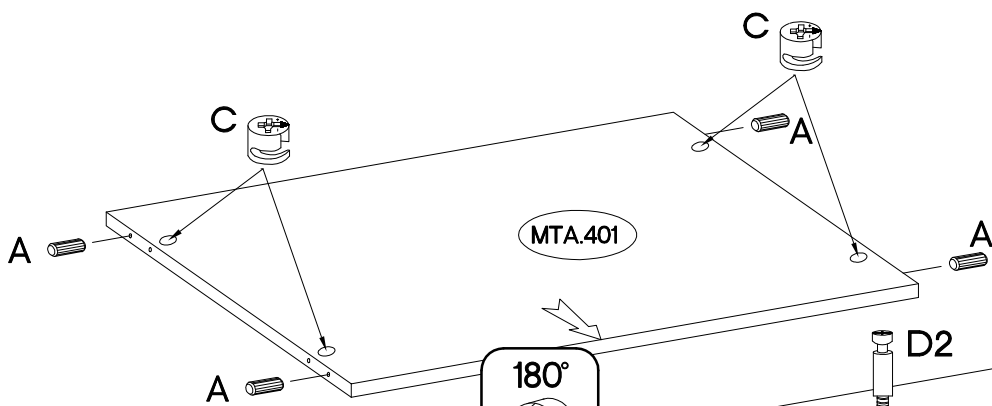
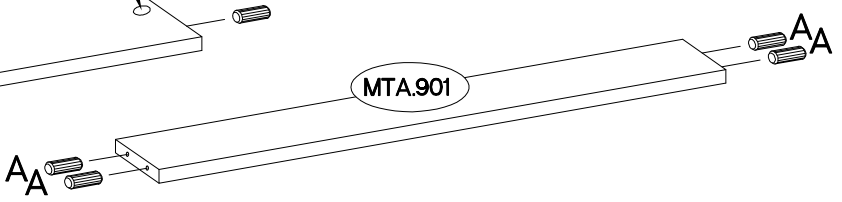
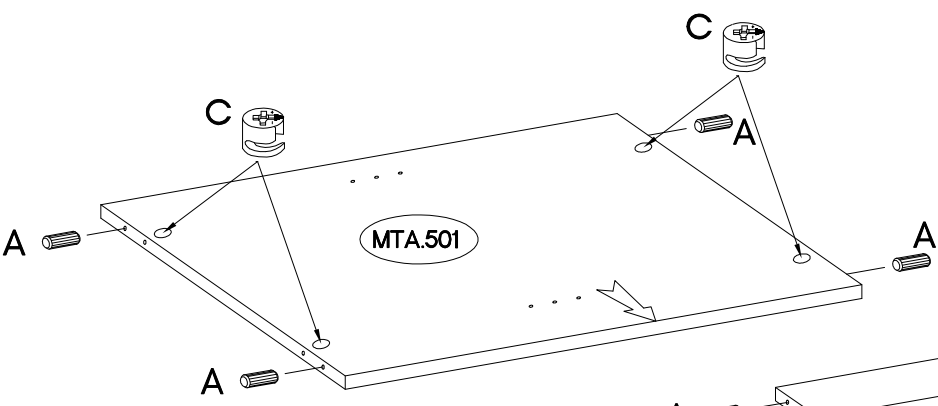
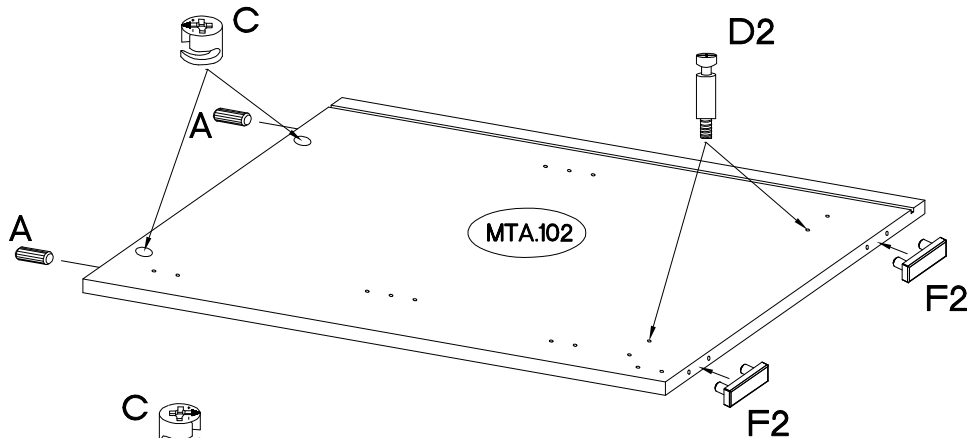
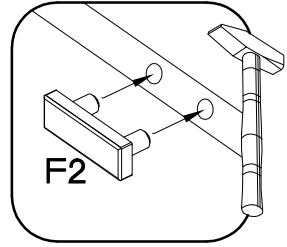
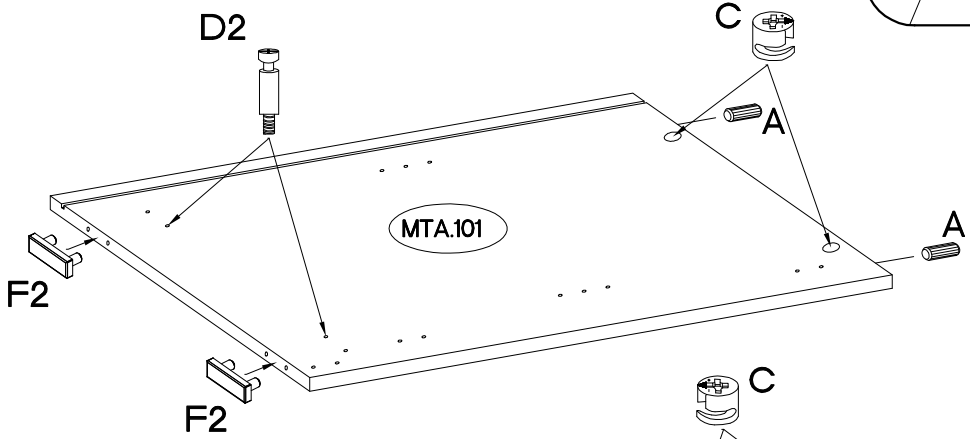
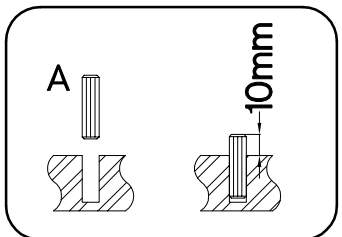
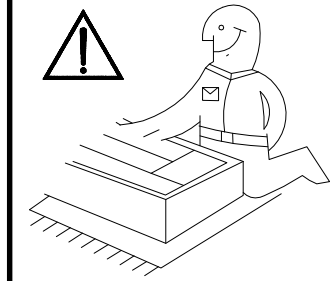
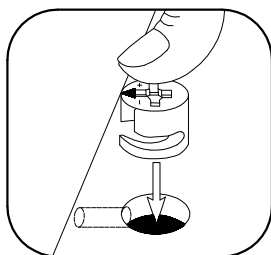
 <b>±8x30mm</b> <b>A</b>	 <b>±15/12mm</b> <b>C</b>									
16	12									
 <b>L=20mm</b> <b>D2</b>	 <b>±20</b> <b>E11</b>	 <b>6.5x48x16</b> <b>F2</b>	 <b>±5/16mm</b> <b>J3</b>	 <b>L</b>	 <b>L2</b>	 <b>L9</b>	 <b>±5</b> <b>M10</b>	 <b>±10x50mm</b> <b>O7</b>	 <b>±3.5x13mm</b> <b>P5</b>	 <b>±3.0x20mm</b> <b>P7</b>
12	8	4	8	8	5	1	2	1	1	11



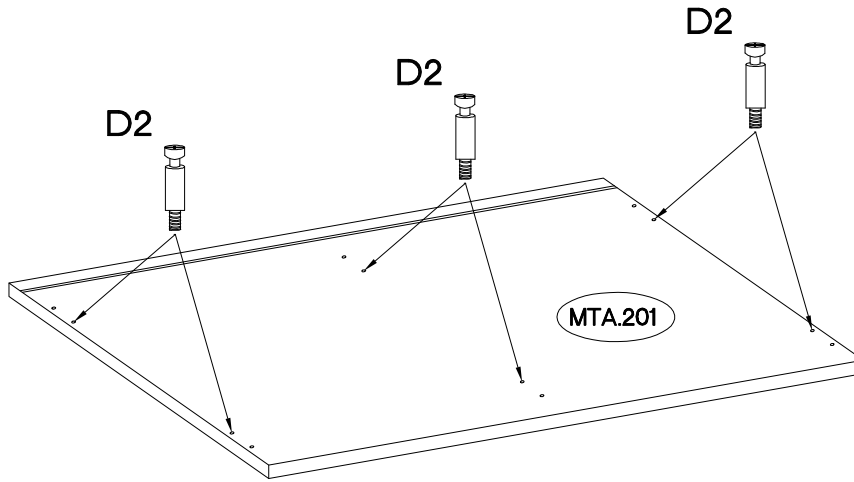
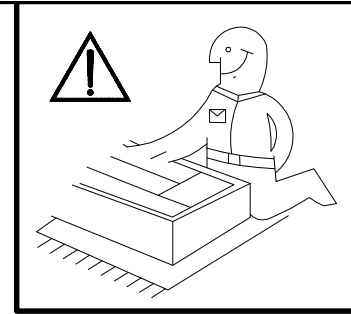
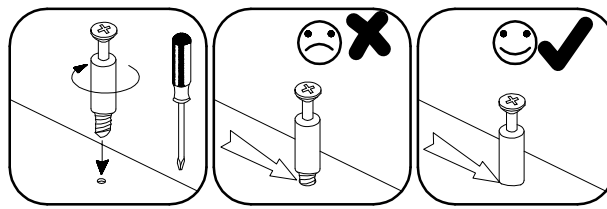
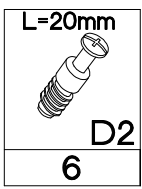
MTA.301

Ersatzteil Nummer	Dimension
MTA.101	783x419x18
MTA.102	783x419x18
MTA.201	799x420x18
MTA.301 x2	371x392x18
MTA.401	762x396x18
MTA.501	694x395x18
MTA.601 x2	715x385x2,5
MTA.901	762x70x18

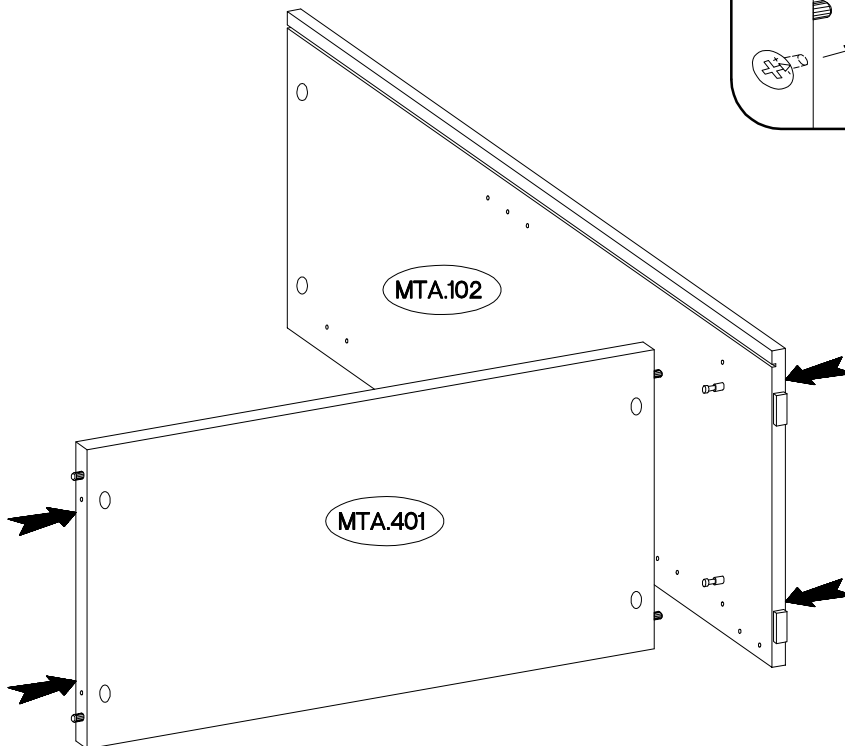
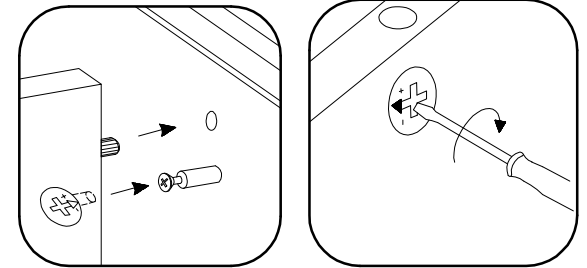
$\varnothing 8 \times 30 \text{mm}$  A 16	$6.5 \times 48 \times 16$  F2 4	$L=20 \text{mm}$  D2 6	$\varnothing 15 / 12 \text{mm}$  C 12
--	--	---	--



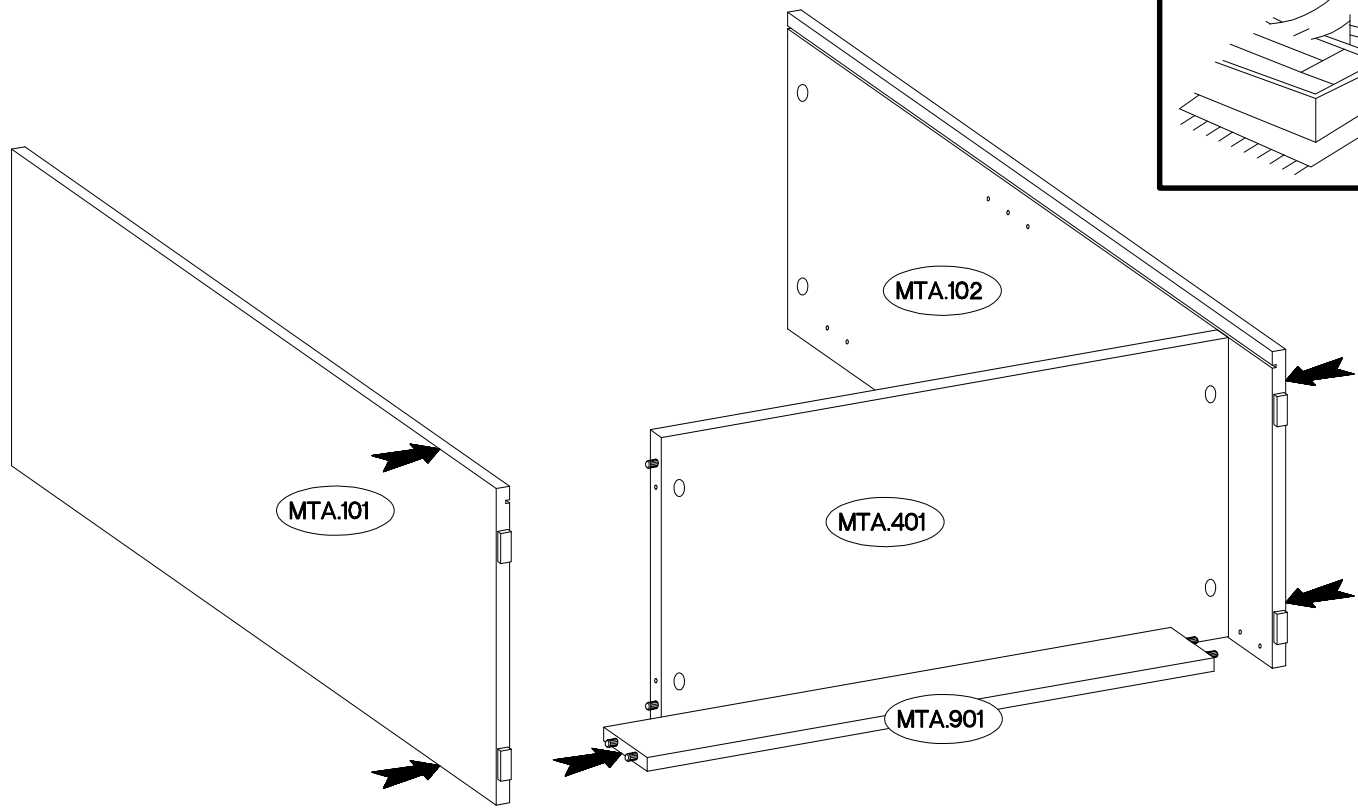
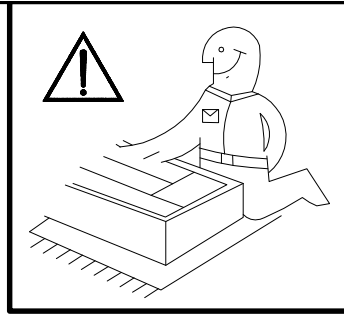
2



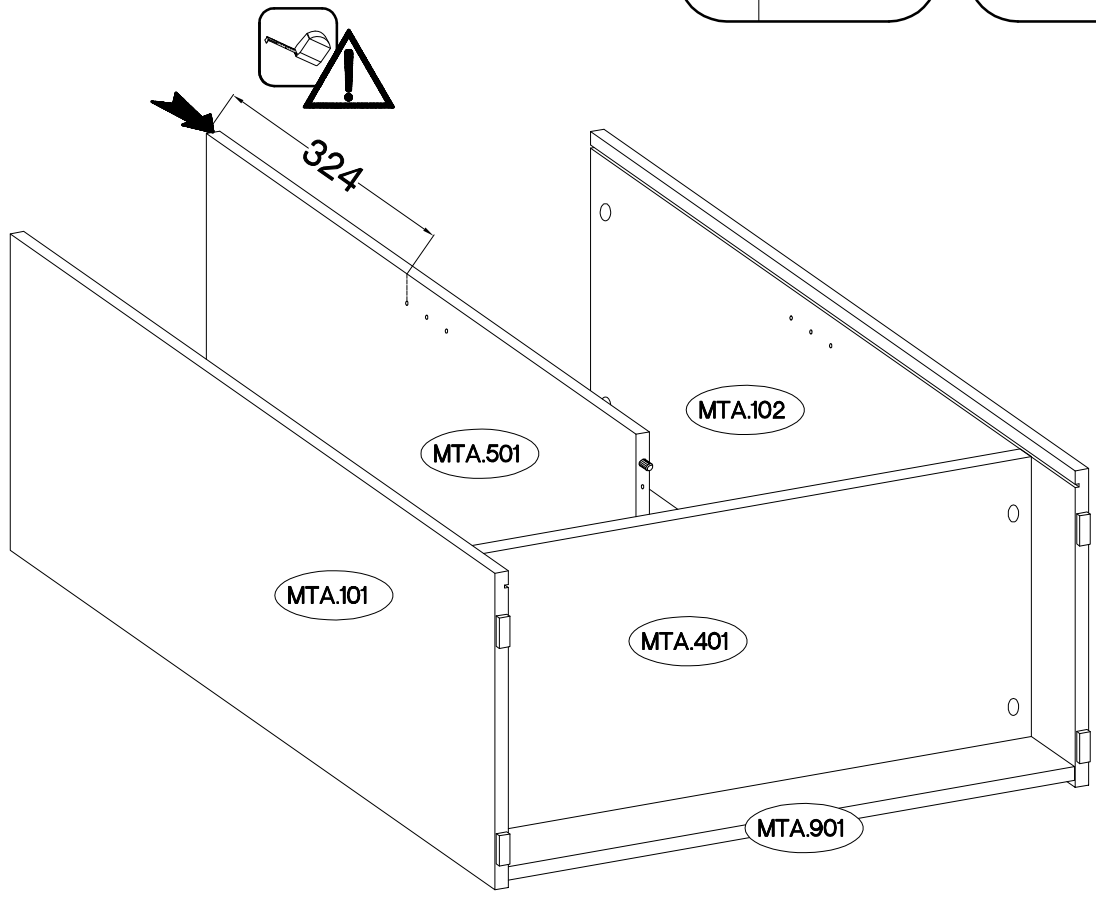
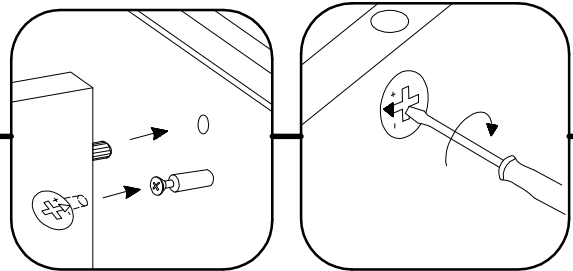
3



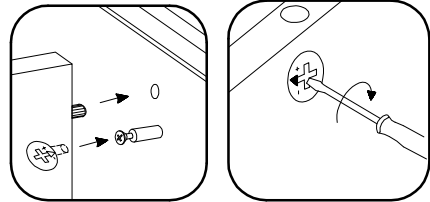
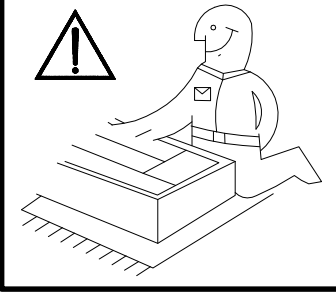
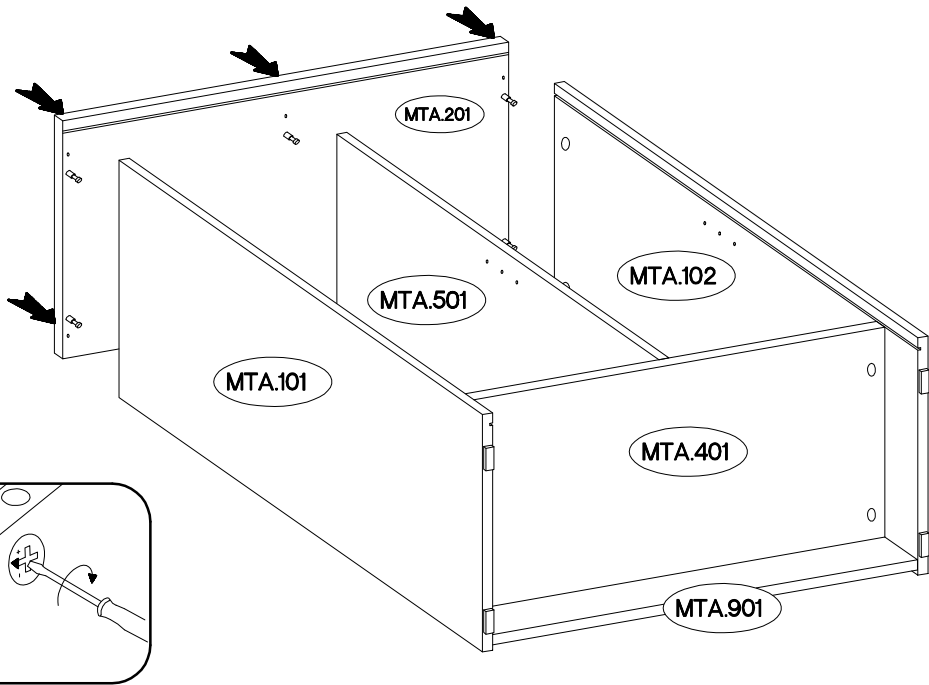
4



5

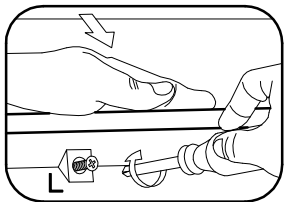
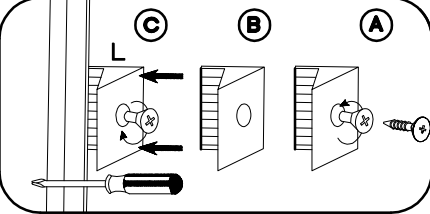
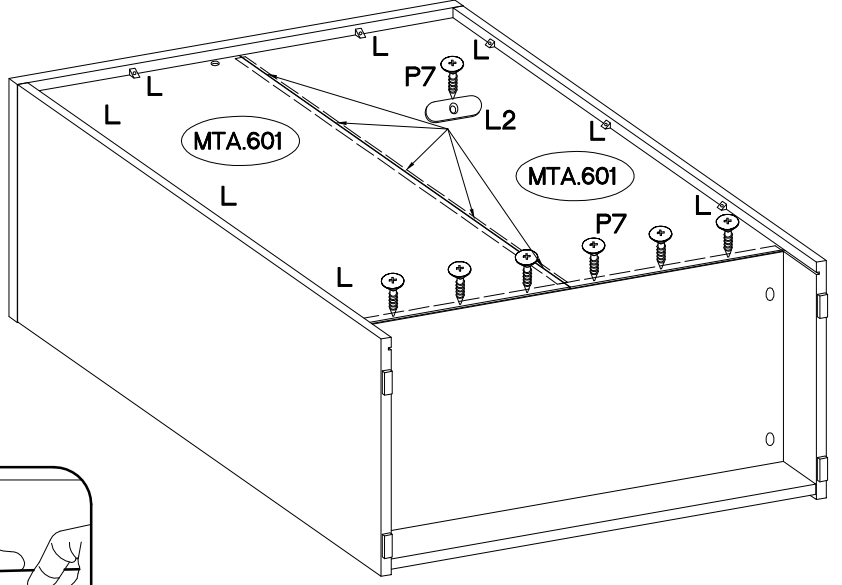
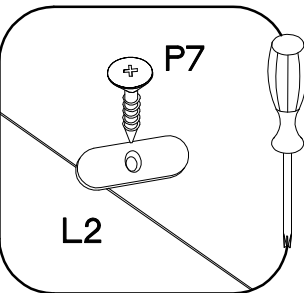
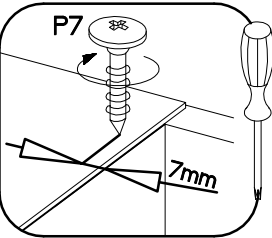
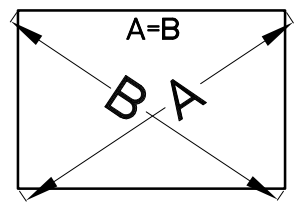
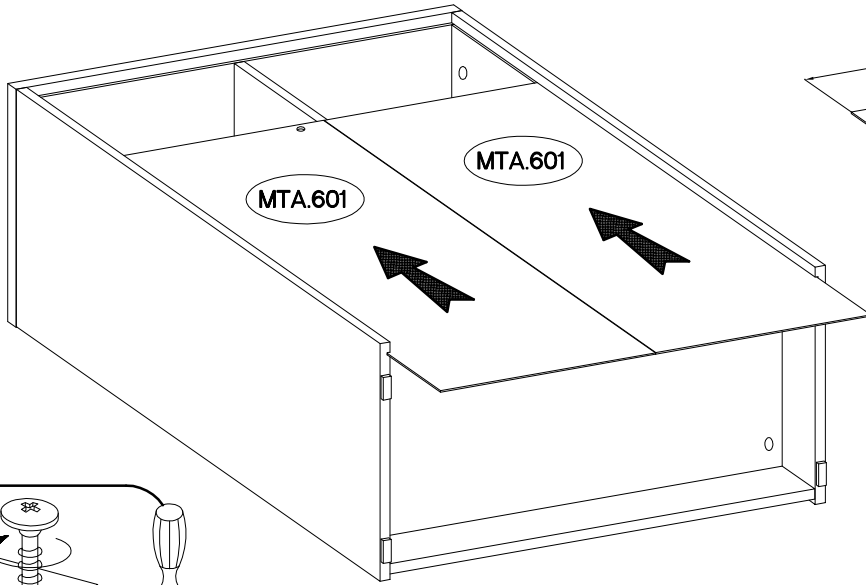
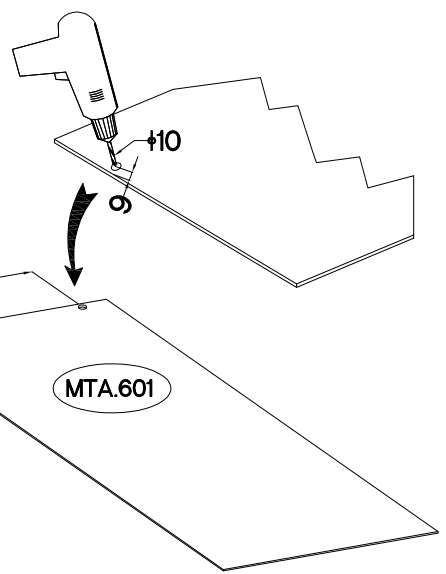


6

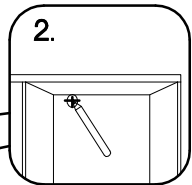


7

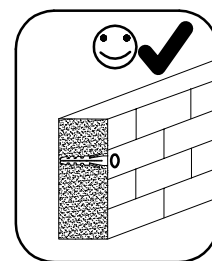
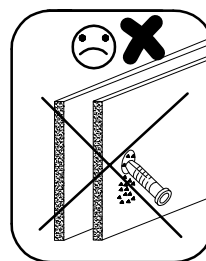
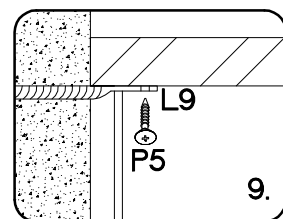
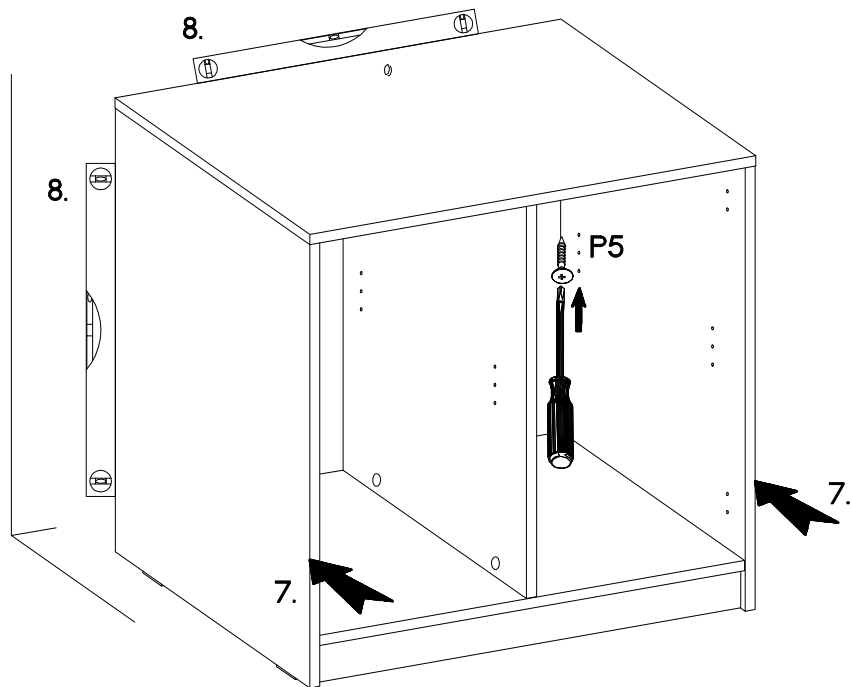
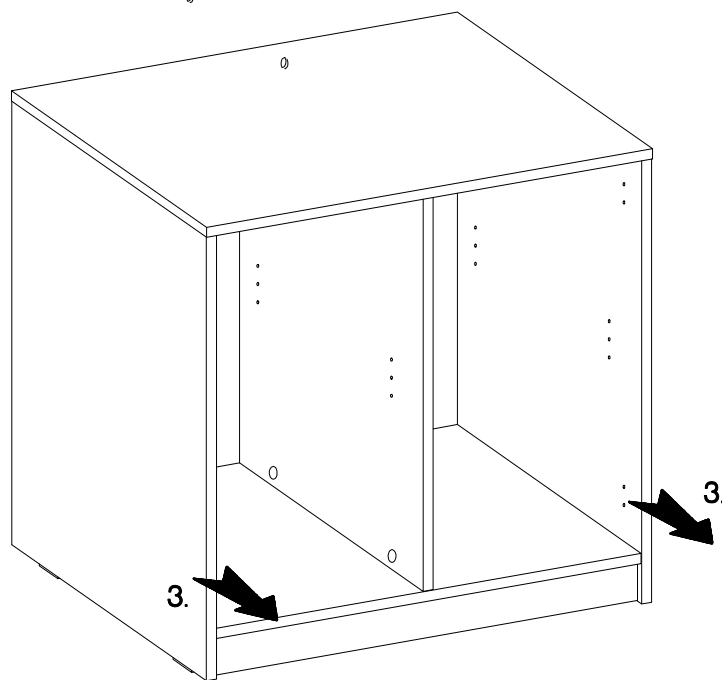
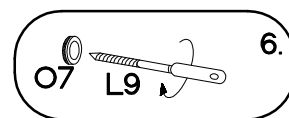
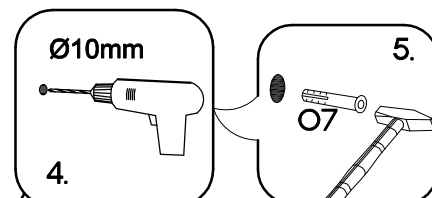
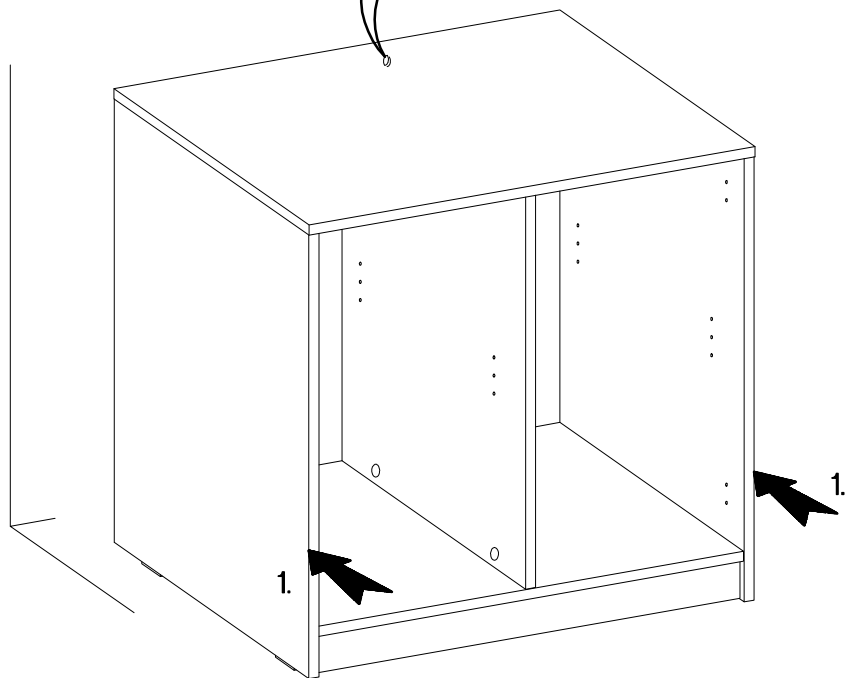
<p>∅3.0x20mm</p> <p>P7</p> <p>11</p>	<p>L2</p> <p>5</p>	<p>L</p> <p>8</p>
--------------------------------------	--------------------	-------------------



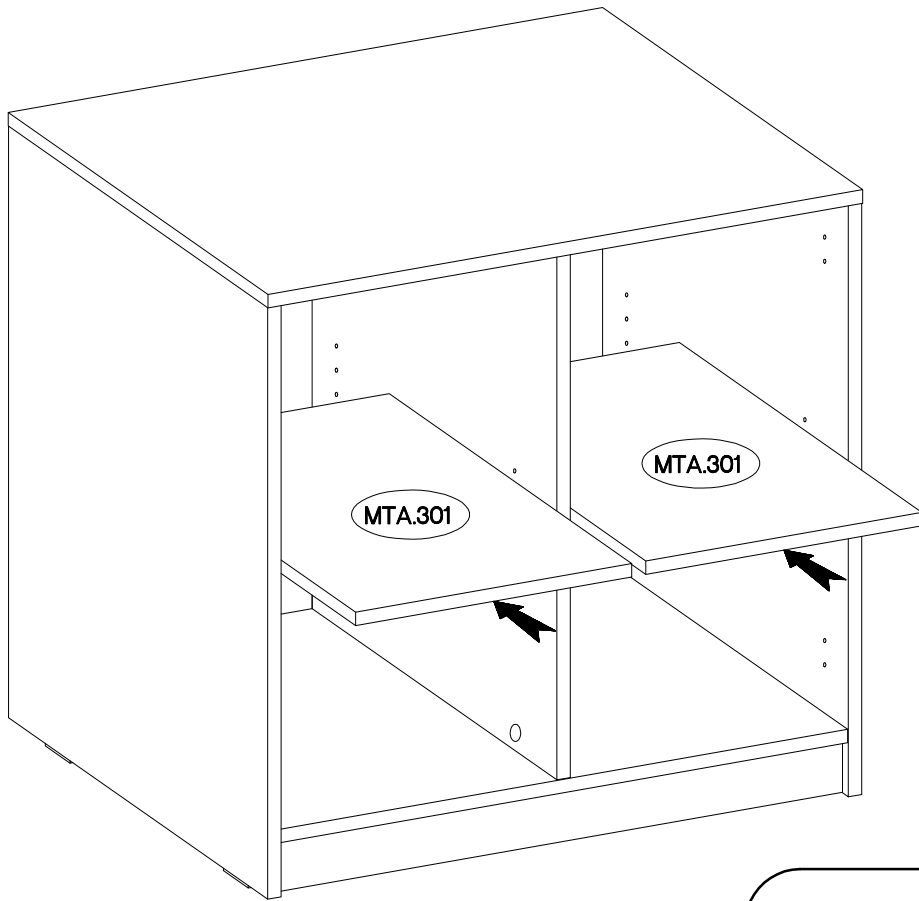
2.

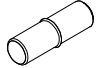
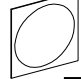


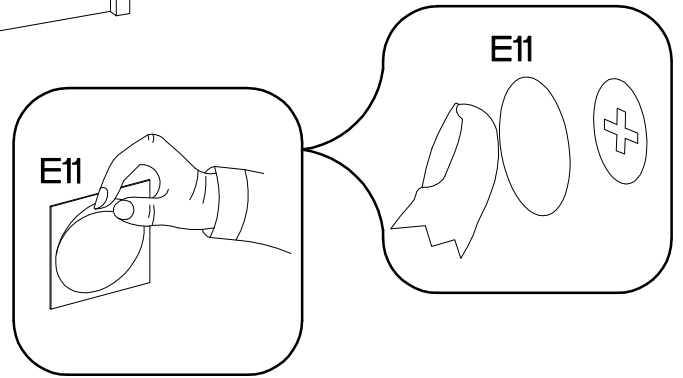
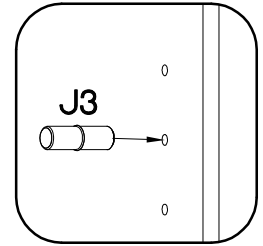
$\pm 10 \times 50 \text{mm}$  <b>O7</b> 1	 <b>L9</b> 1	$\pm 3.5 \times 13 \text{mm}$  <b>P5</b> 1
--	--------------------	---



9




$\pm 5/16\text{mm}$  <b>J3</b> 8	$\pm 20$  <b>E11</b> 8
---	---



10

OPTION

$\pm 5$  <b>M10</b> 2
---

