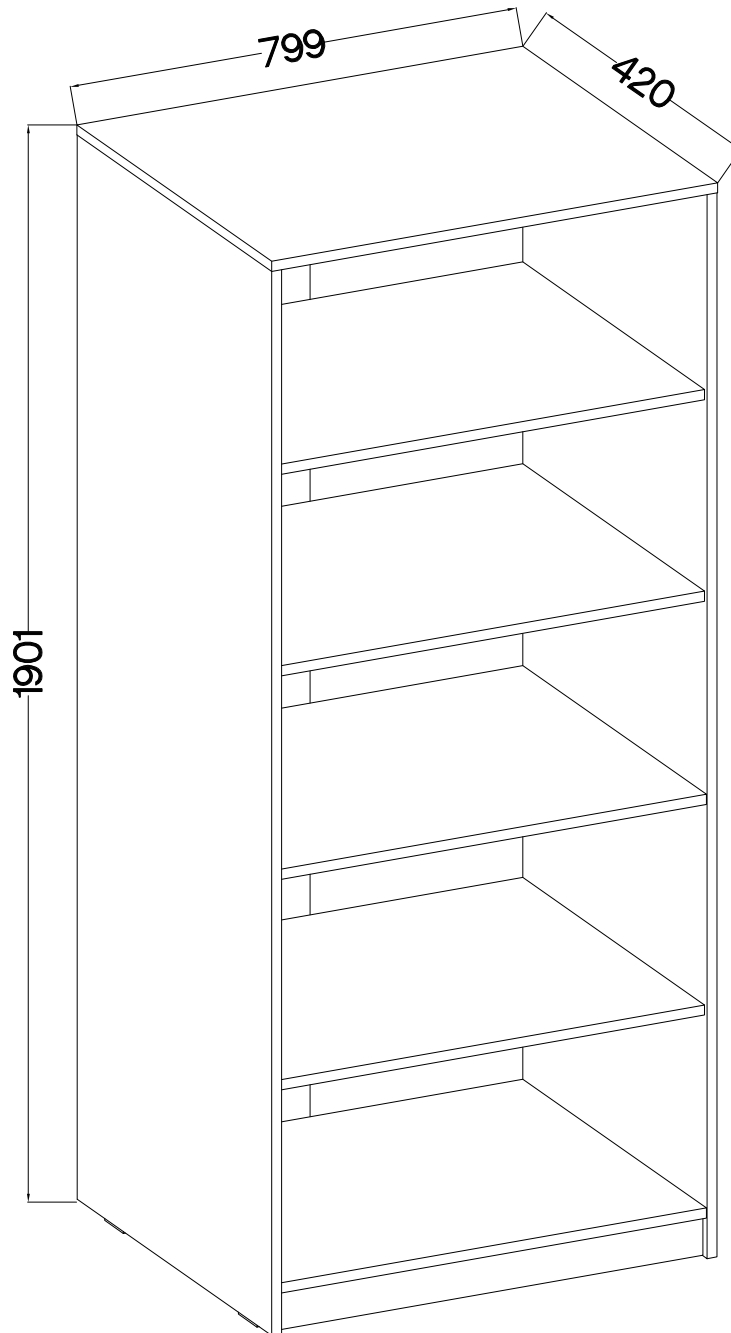


MALTA
TYP 110



+8x30mm
A
16

+15/12mm	L=20mm
C	D2
12	12

+20
E11
8

6.5x48x16
F2
4

+5/16mm
J3
12

L
16

L9
1

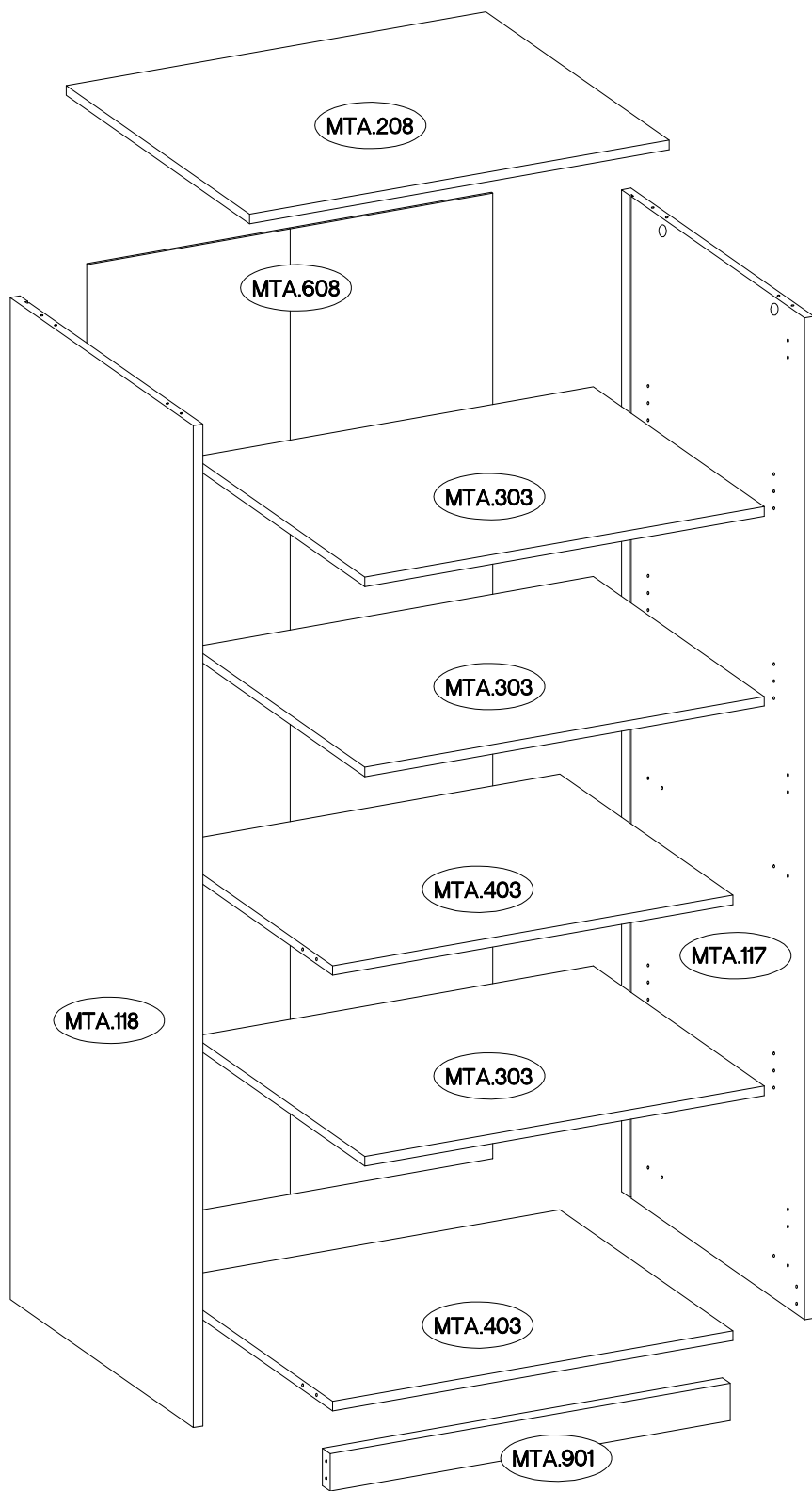
+5
M10
2

+10x50mm
O7
1

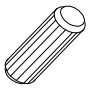

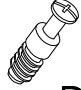
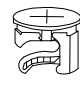
+3.5x13mm
P5
1

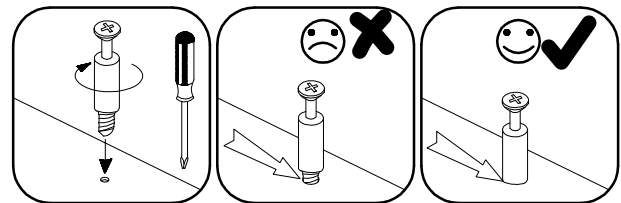
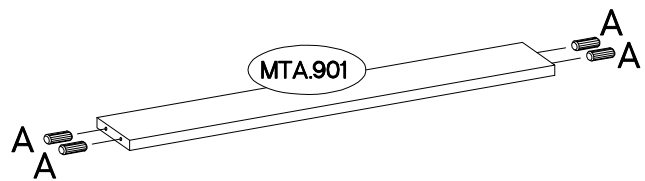
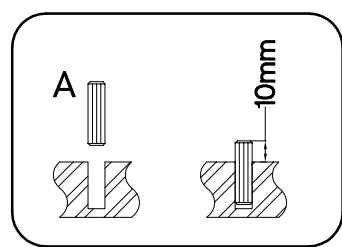
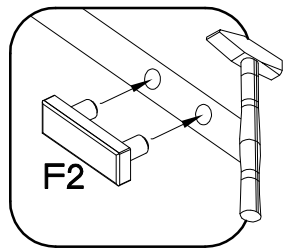
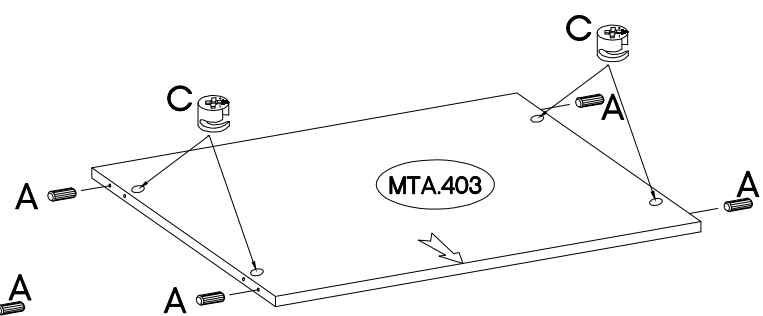
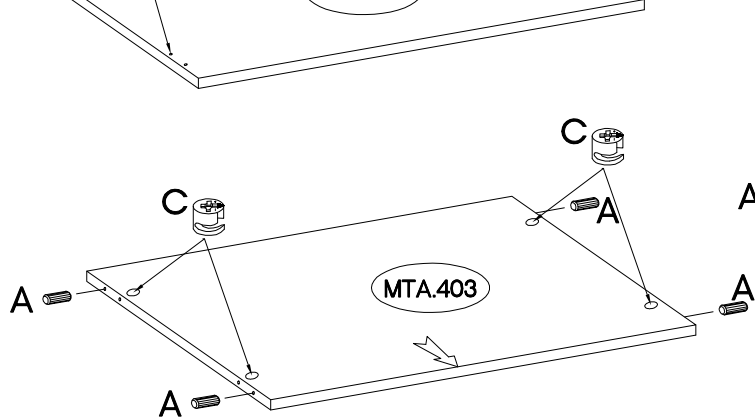
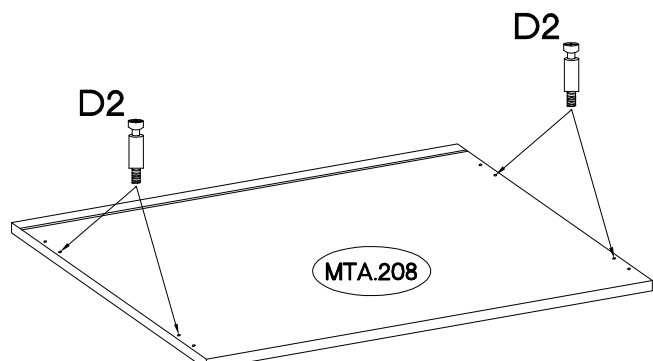
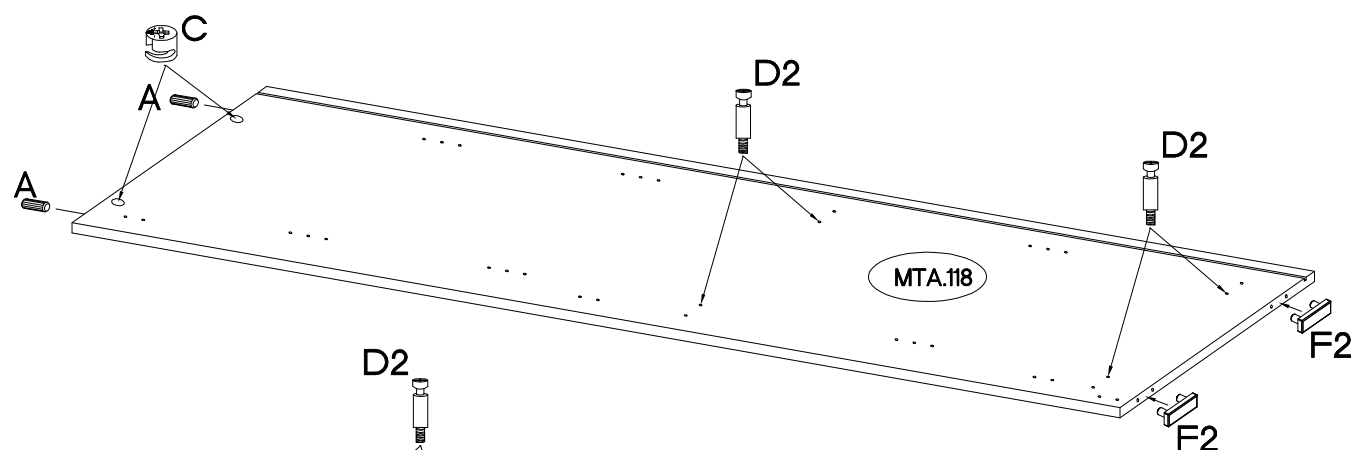
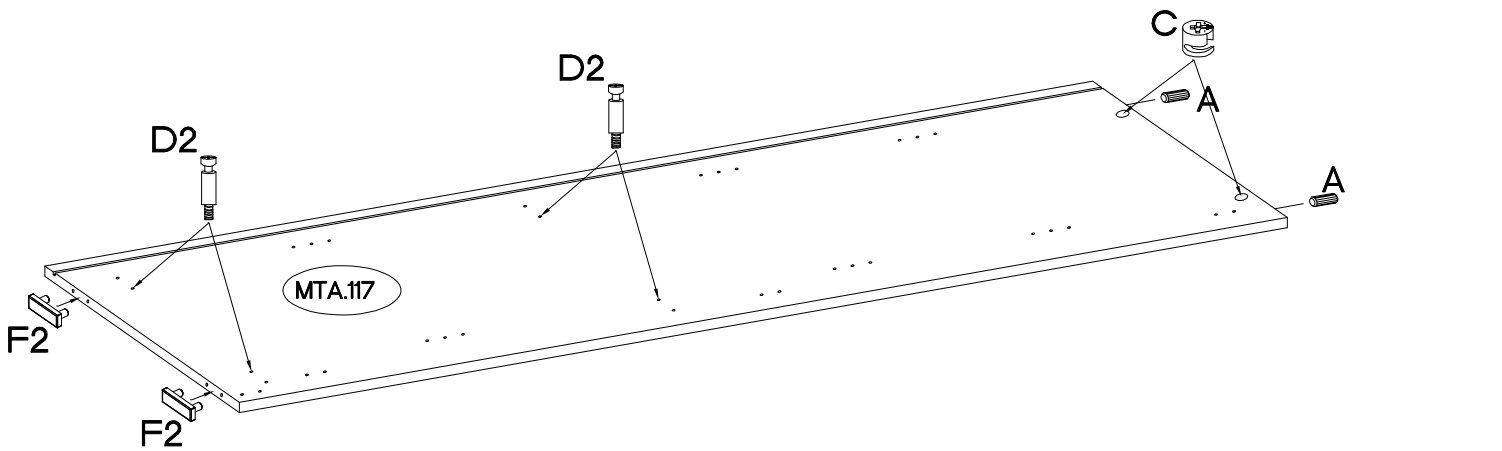
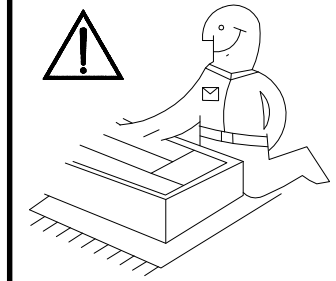
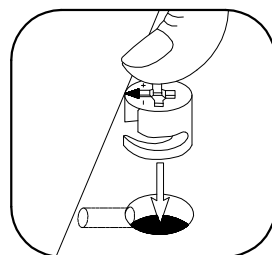
+3.0x20mm
P7
12

ISM-MTA-13

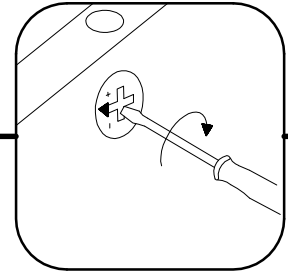
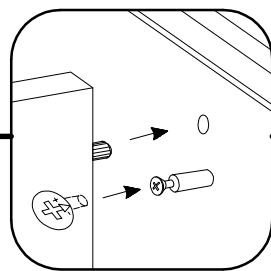
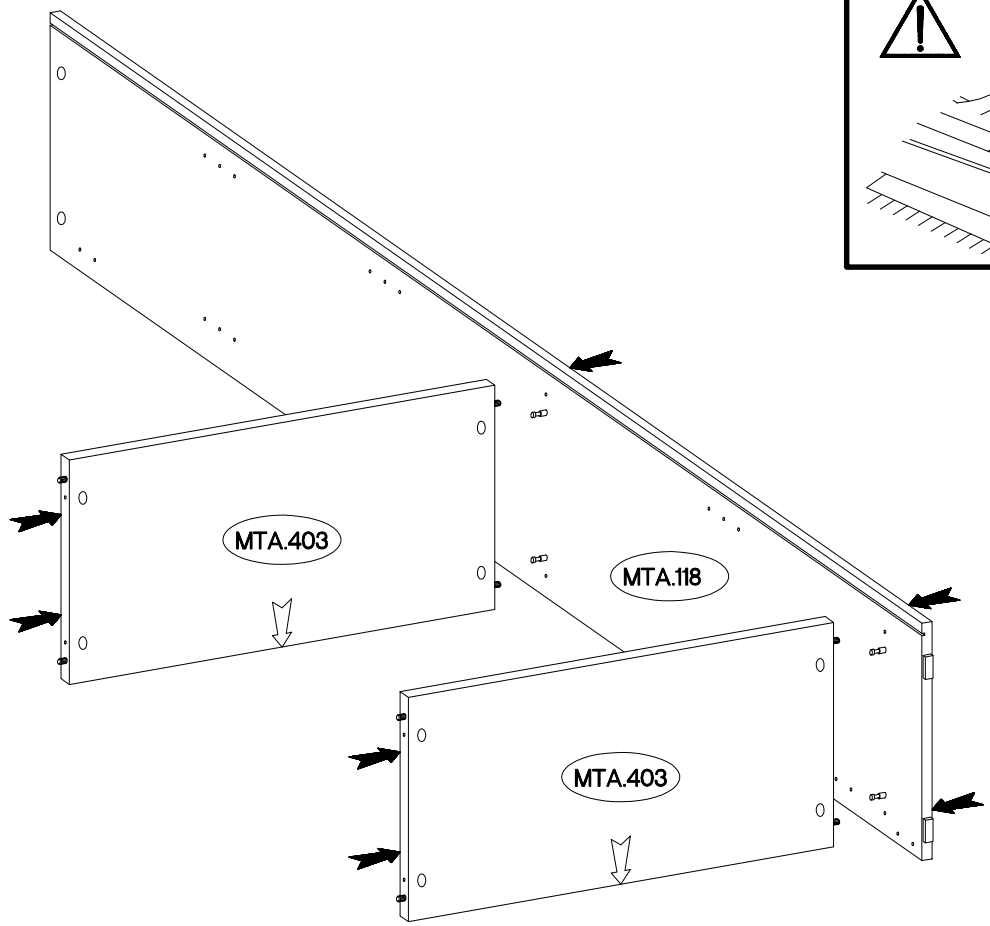


Ersatzteil Nummer	Dimension
MTA.117	1878x419x18
MTA.118	1878x419x18
MTA.208	799x420x18
MTA.303 x3	761x392x18
MTA.403 x2	762x396x18
MTA.608	1810x771x2,5
MTA.901	762x70x18

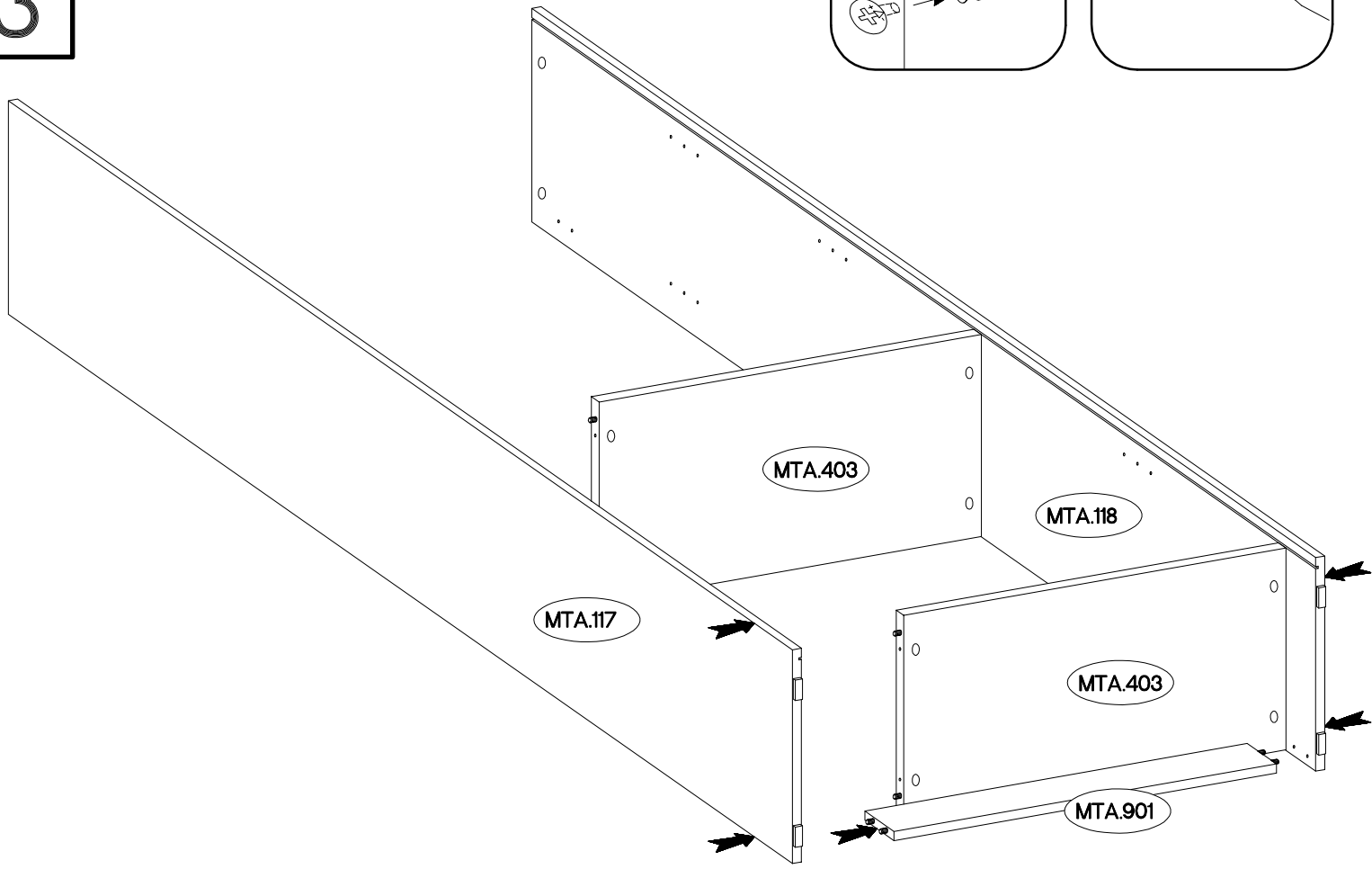
$\varnothing 8 \times 30 \text{mm}$  A 16	$6.5 \times 48 \times 16$  F2 4	$L=20 \text{mm}$  D2 12	$\varnothing 15 / 12 \text{mm}$  C 12
------------------------------------------------------------------------------------------------------------------------------------	--------------------------------------------------------------------------------------------------------------------------	------------------------------------------------------------------------------------------------------------------	--------------------------------------------------------------------------------------------------------------------------------



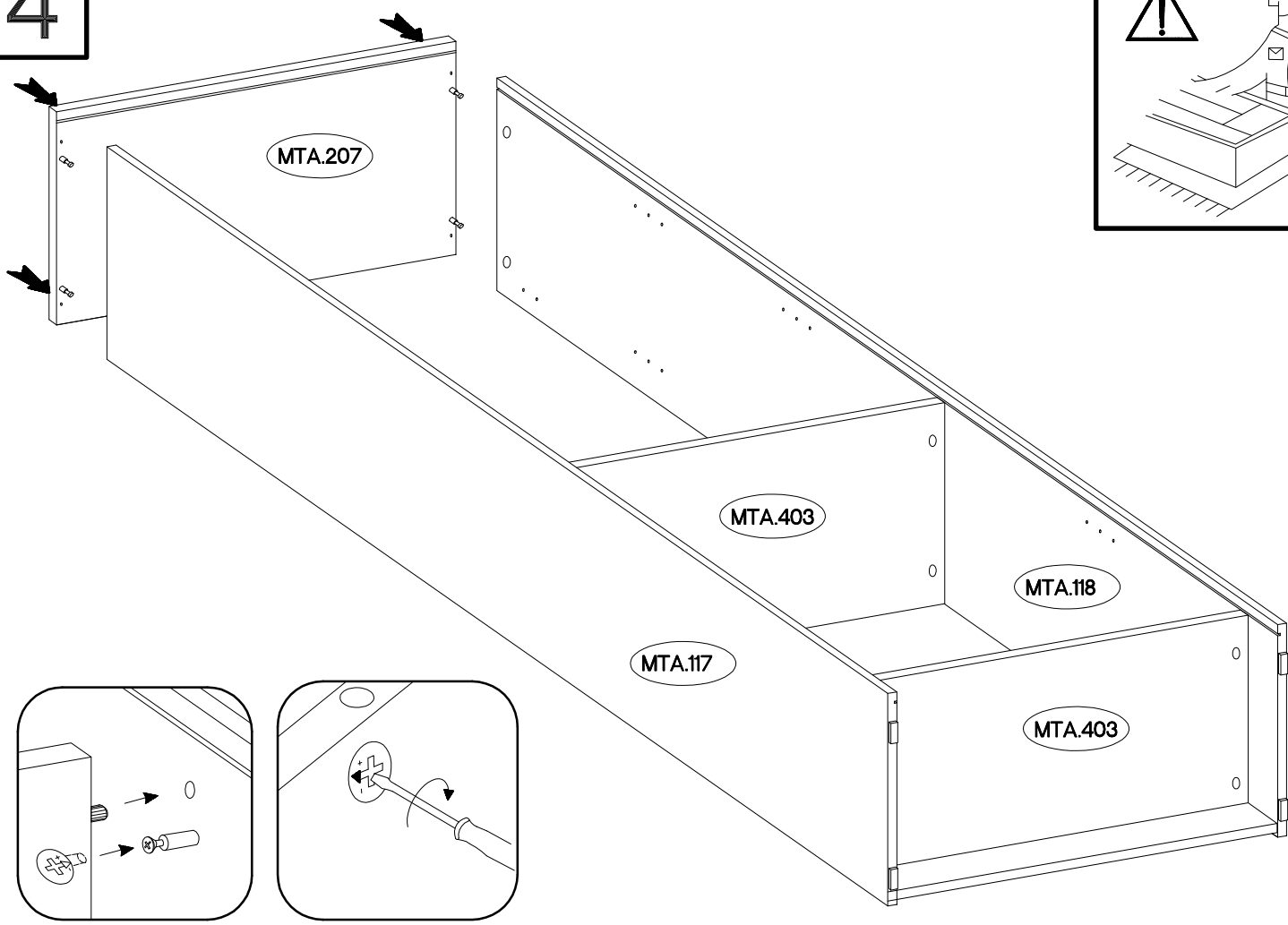
2



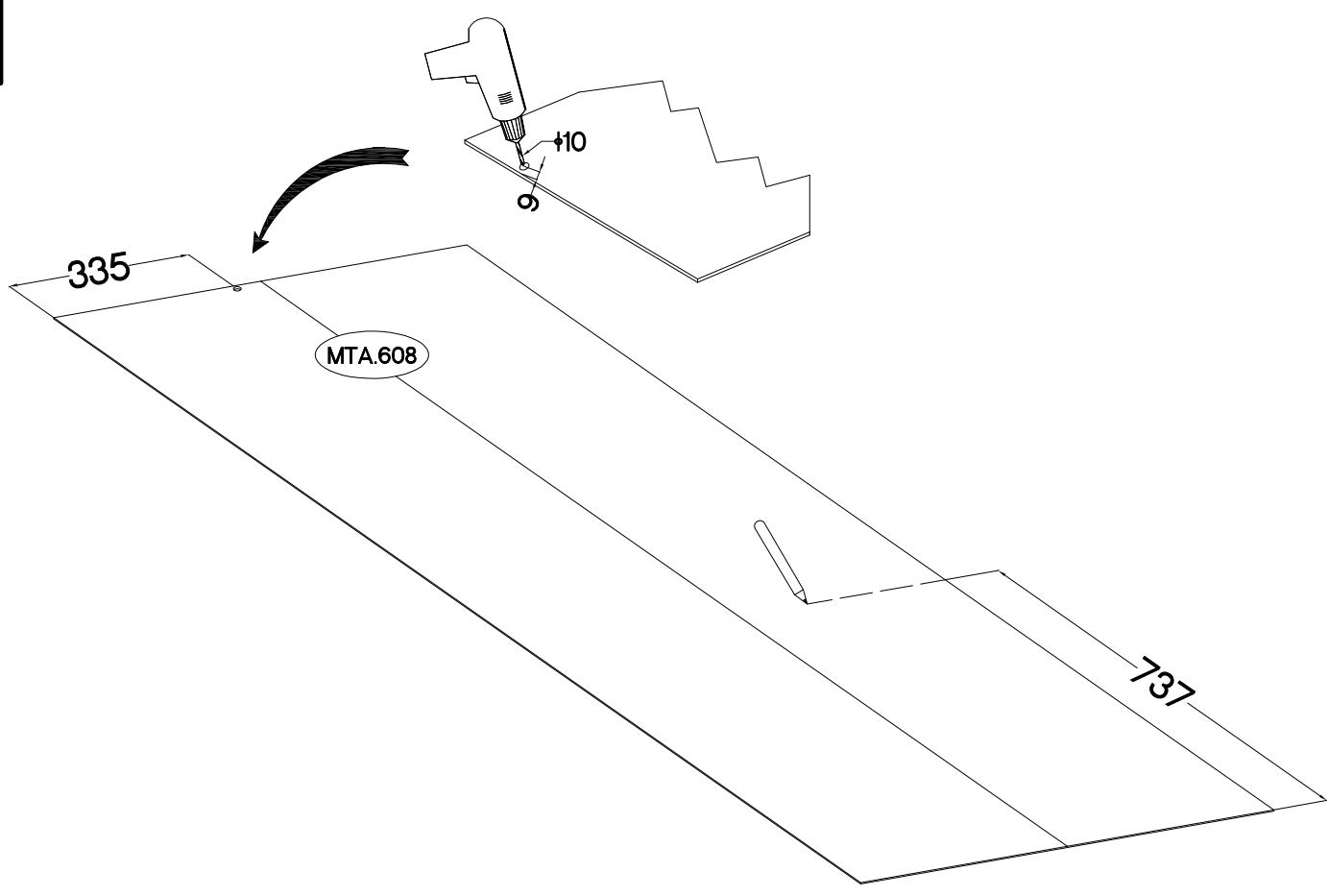
3




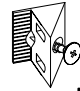
4

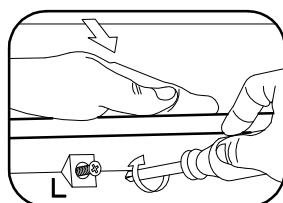
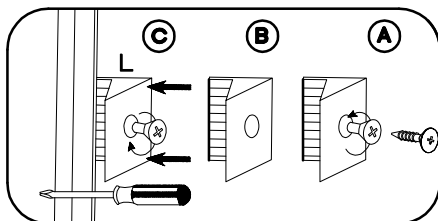
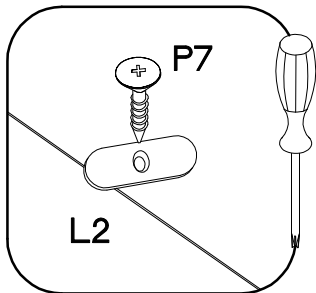
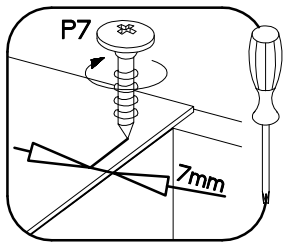
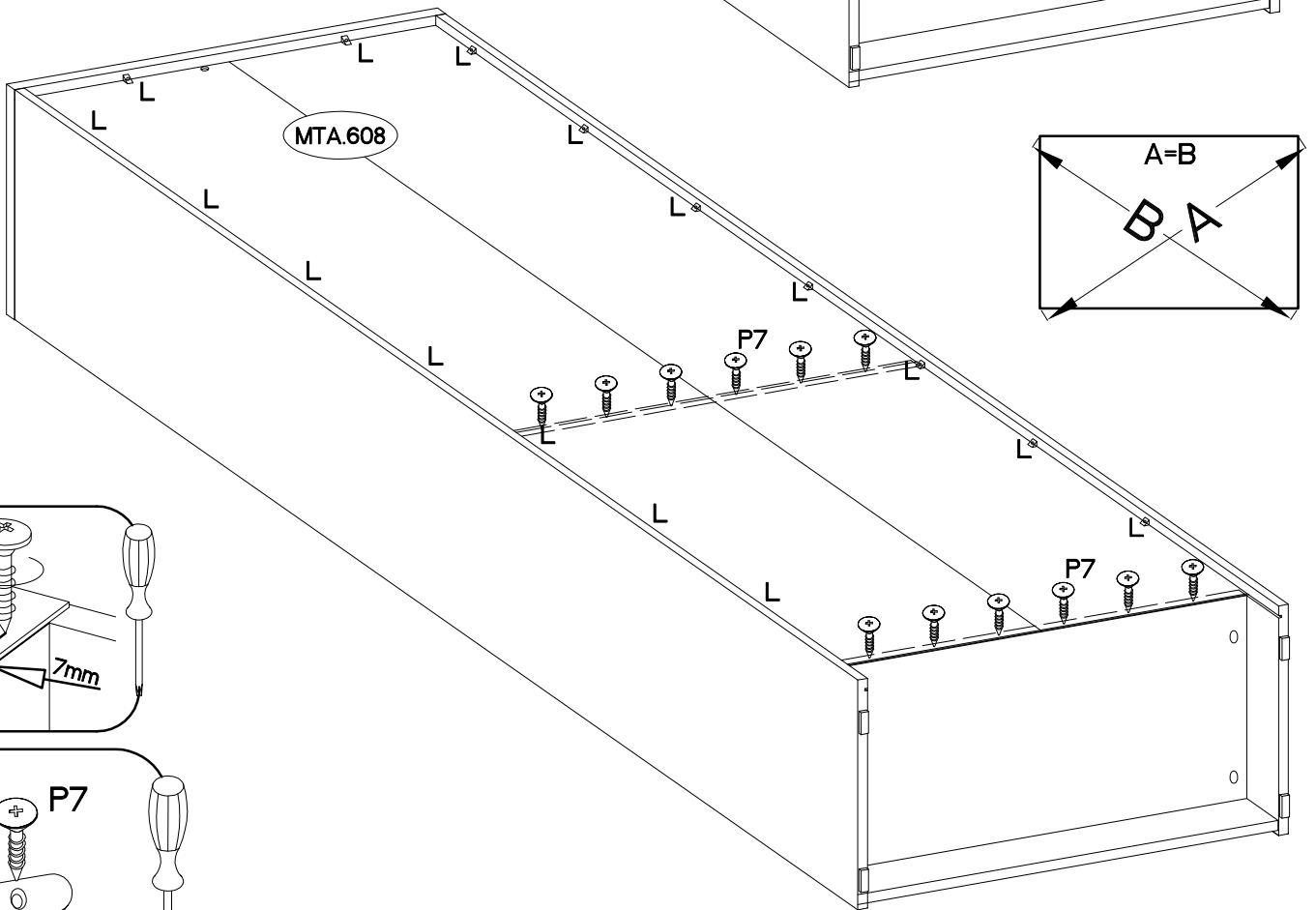
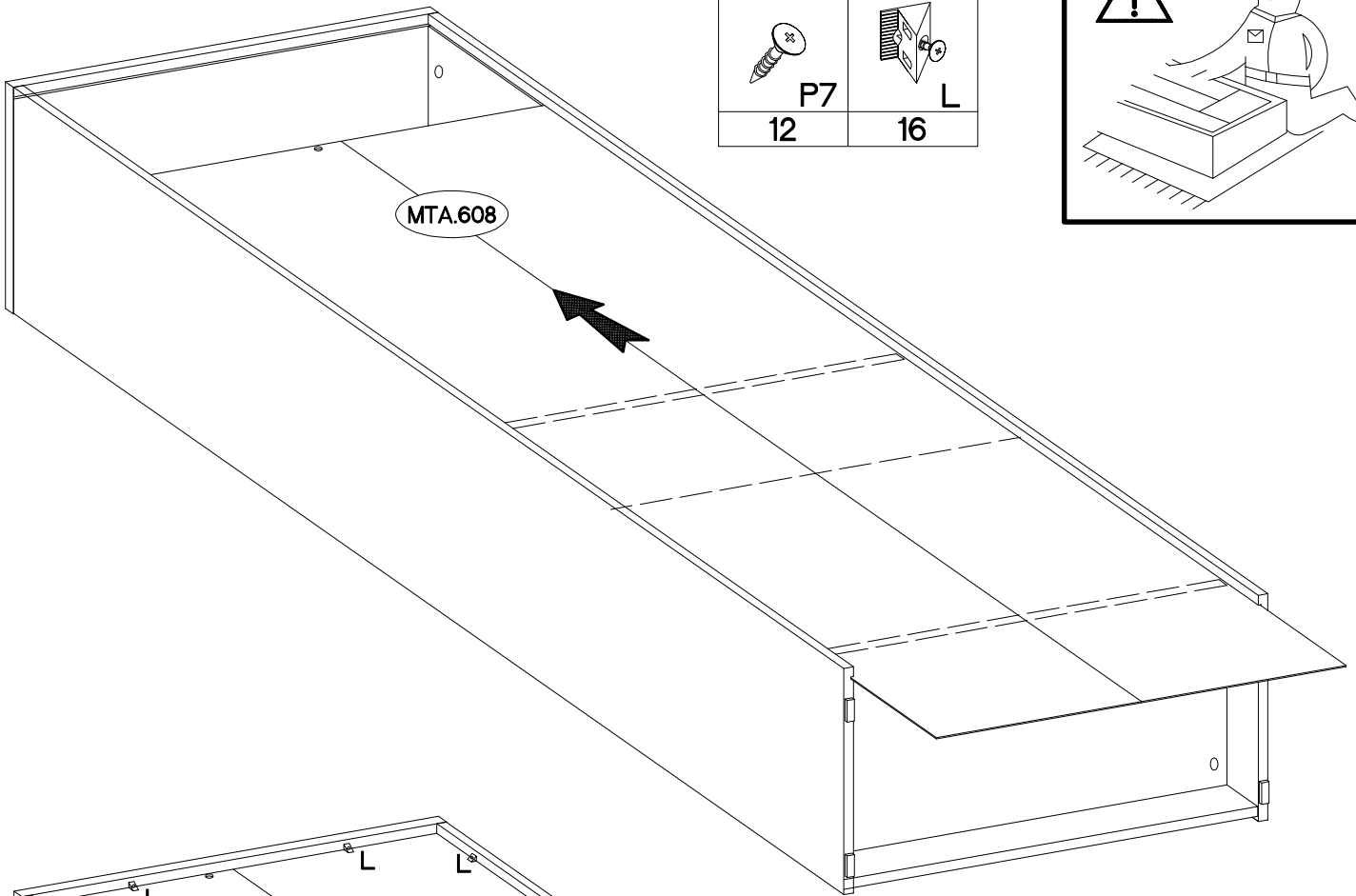
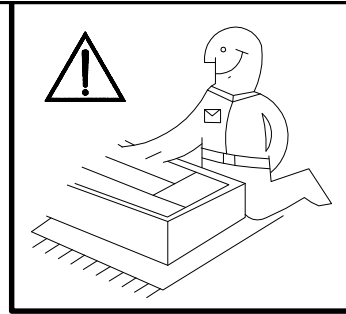


5

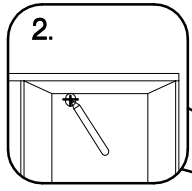


6

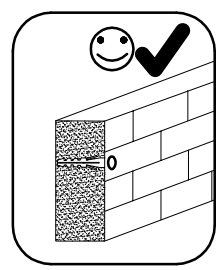
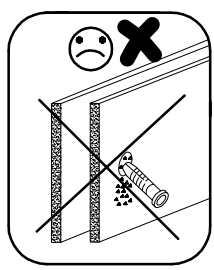
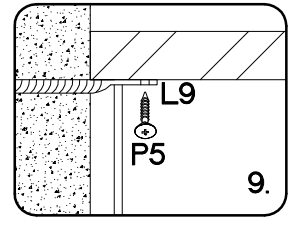
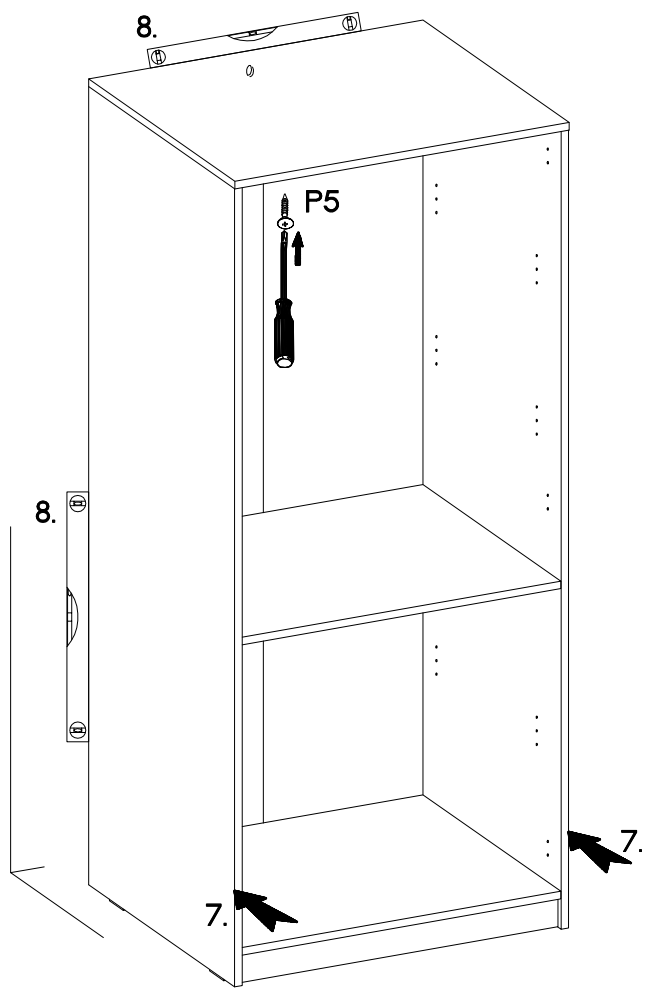
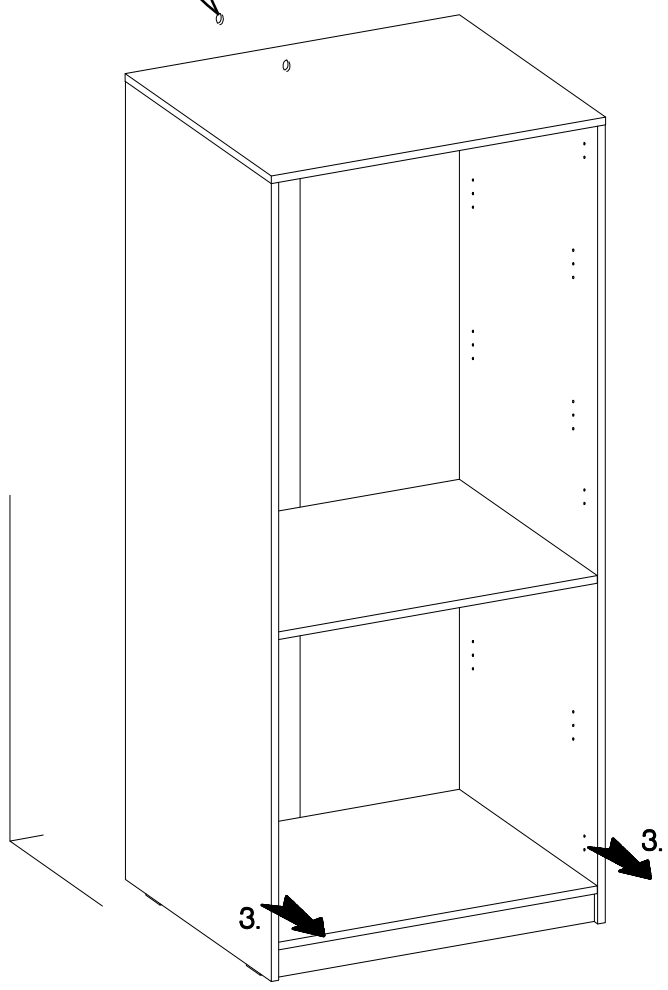
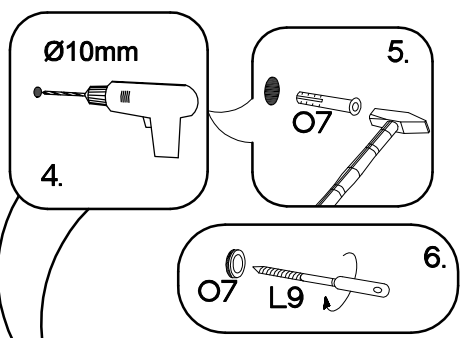
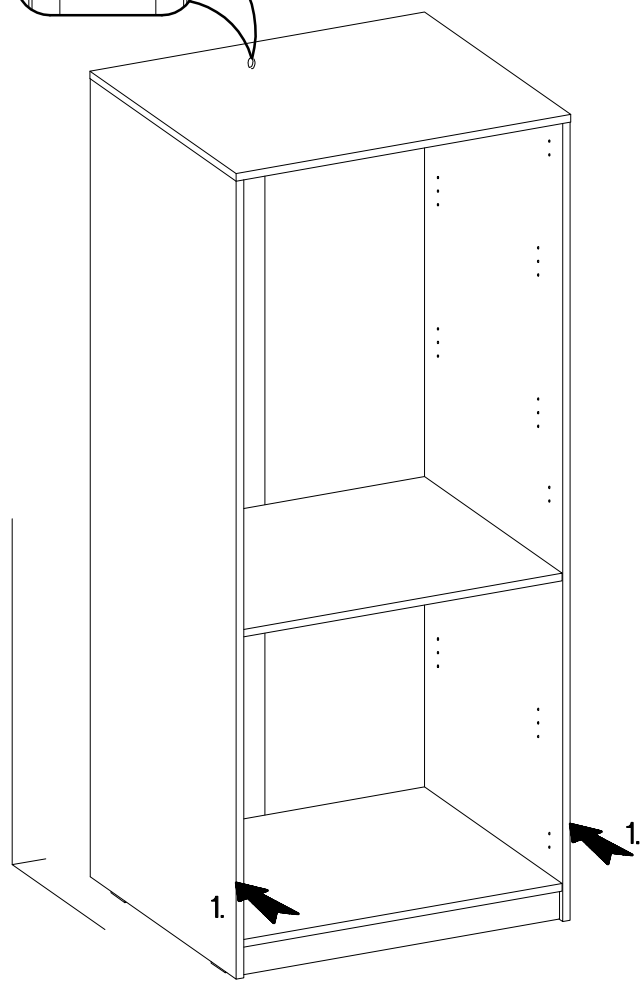
$\pm 3.0 \times 20 \text{mm}$  P7 12	 L 16
--------------------------------------------------------------------------------------------------------------------------------	-----------------------------------------------------------------------------------------------

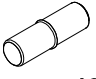
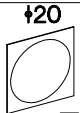


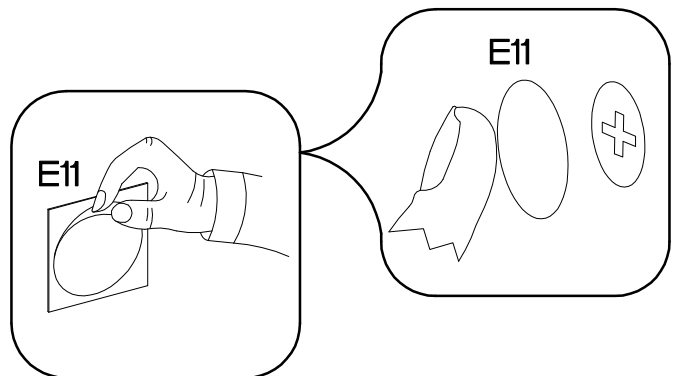
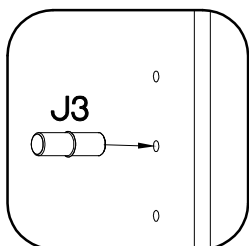
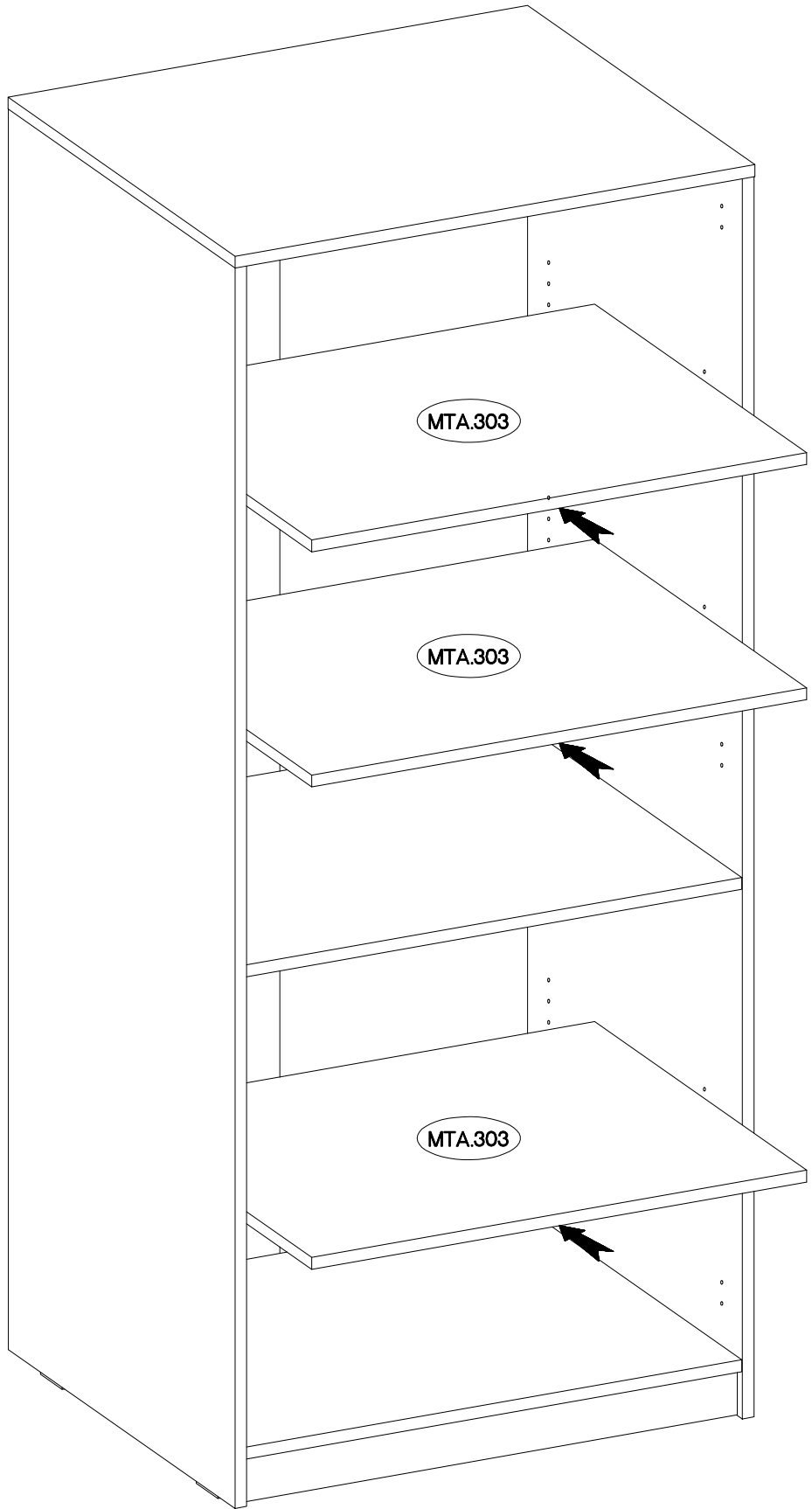
7



$\pm 10 \times 50 \text{mm}$ 		$\pm 3.5 \times 13 \text{mm}$
O7	L9	P5
1	1	1



 <p>±5/16mm J3</p>	 <p>±20 E11</p>
12	8



9

OPTION

