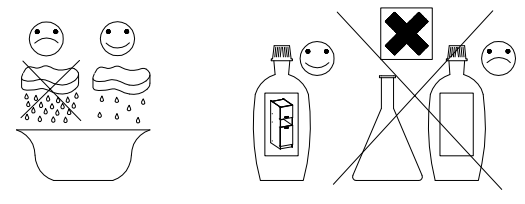
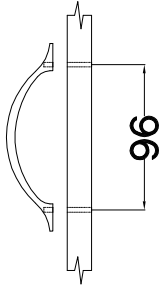
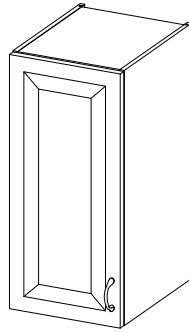
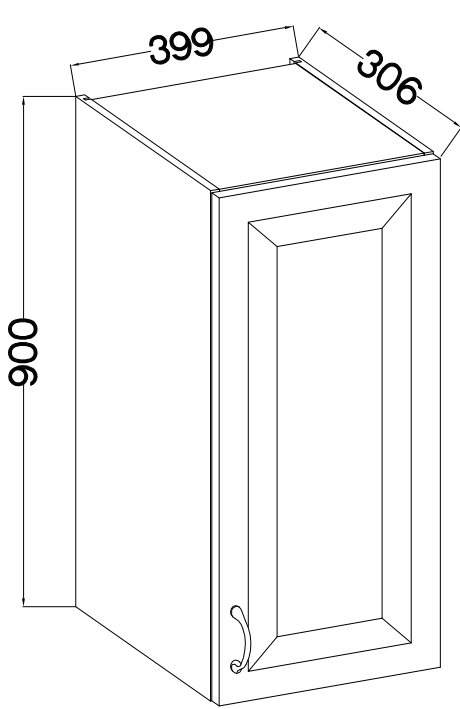


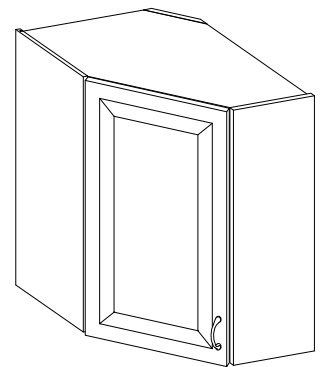
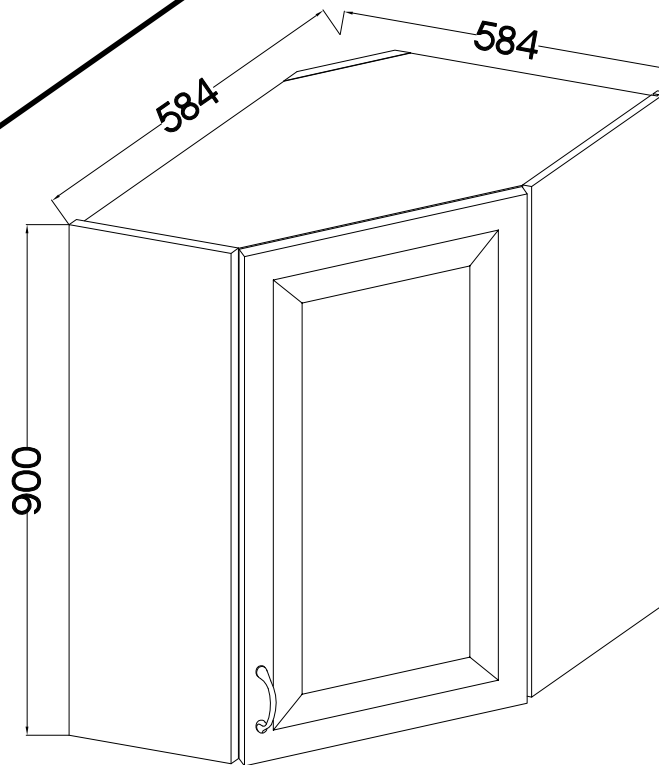
FRONT



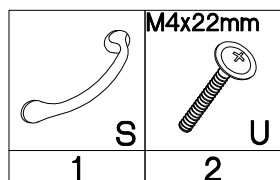
40 G-90 1F



58x58 GN-90 1F



KUH.70770



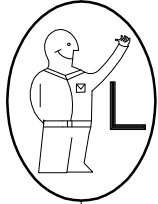
ISM-KUH-01199

1

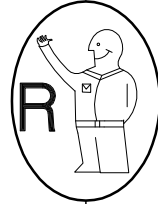
40 G-90 1F

LEFT

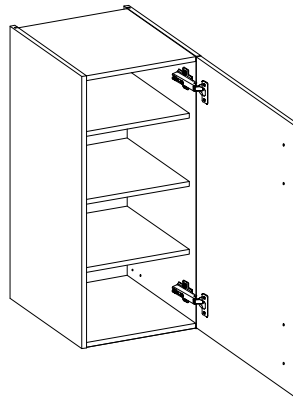
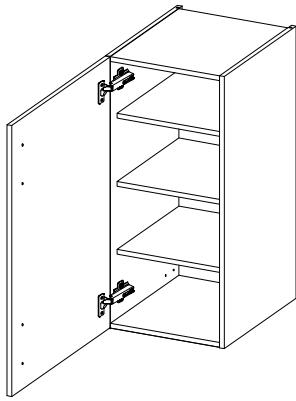
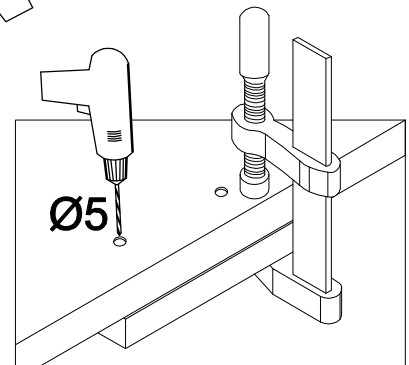
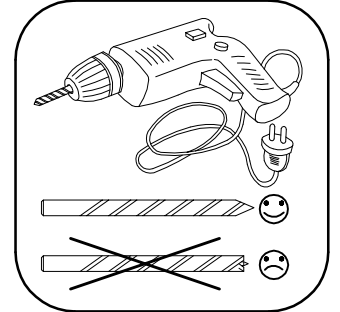
RIGHT





KUH.70770

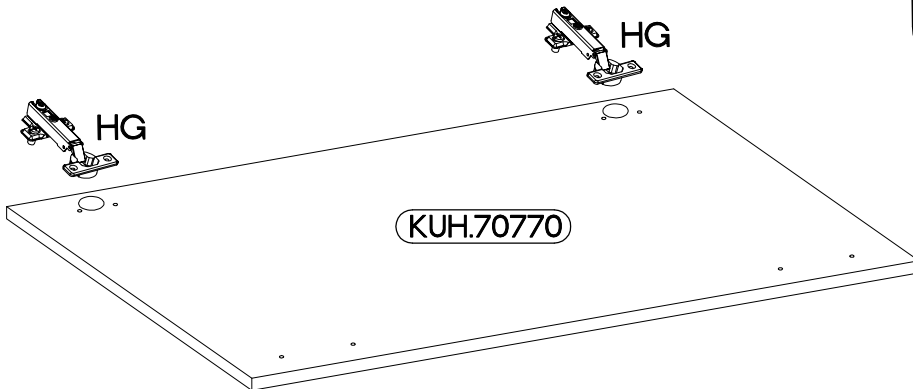
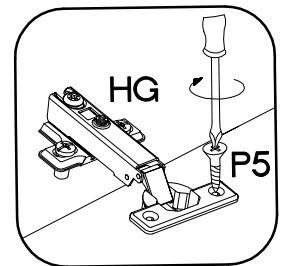


KUH.70770



2

 HG 2	 P5 4
------------------------------------------------------------------------------------------------	------------------------------------------------------------------------------------------------

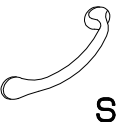


M4x22mm



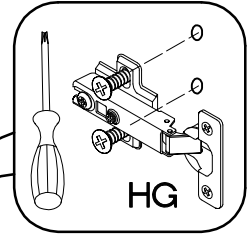
U

2

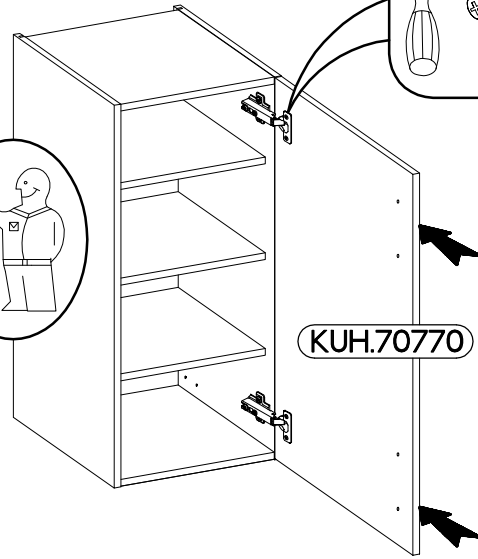
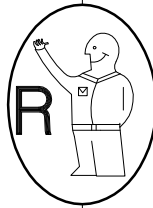


S

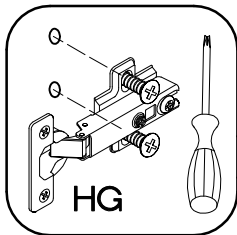
1



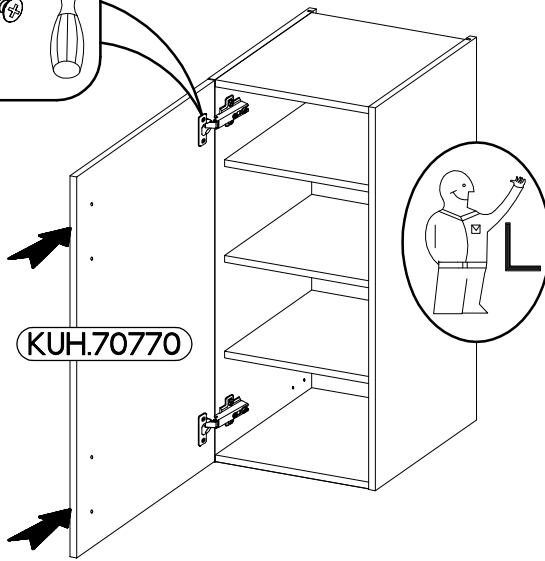
HG



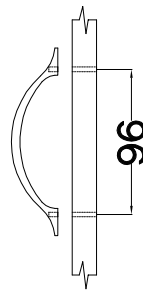
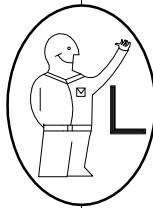
KUH.70770



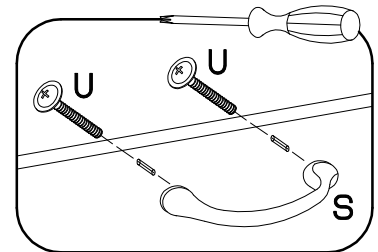
HG



KUH.70770

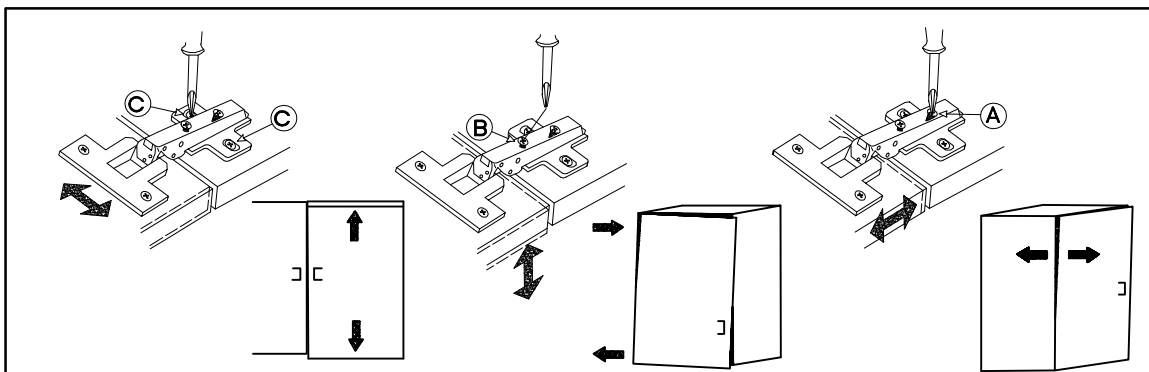


96



U

S

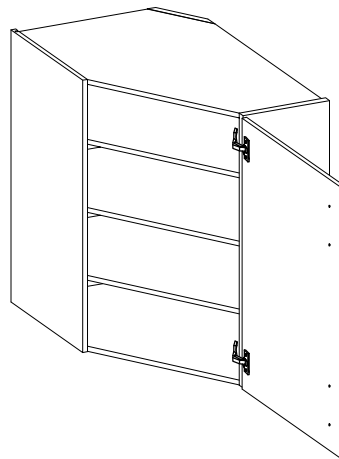
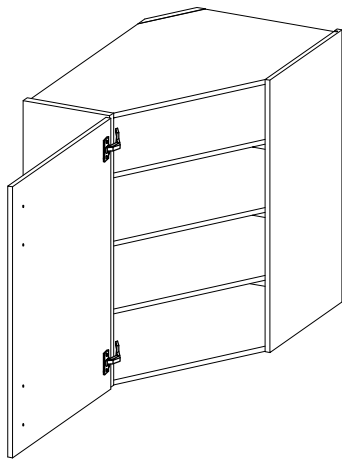
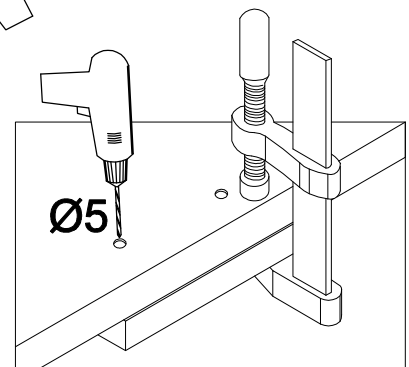
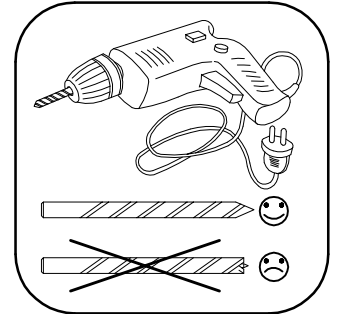
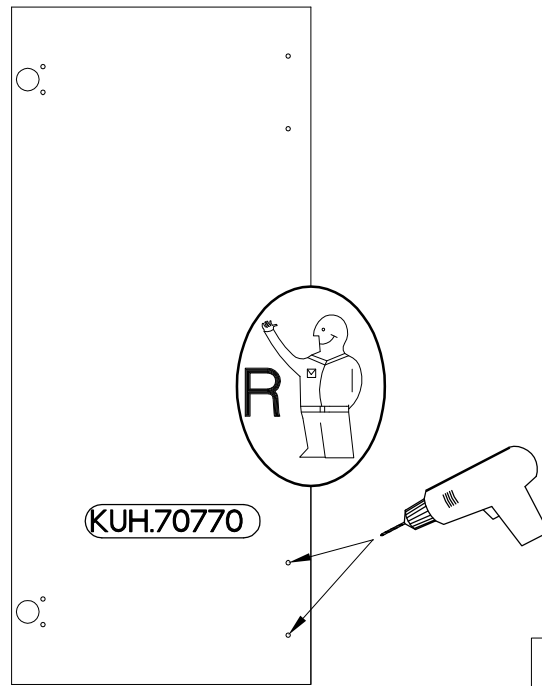
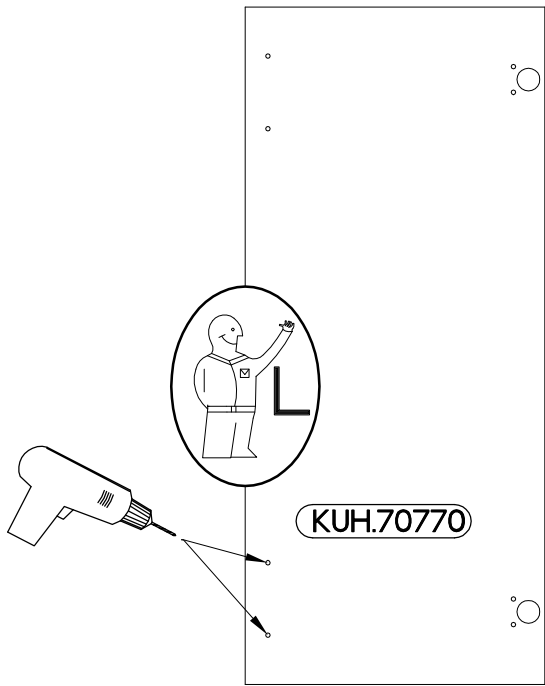


4


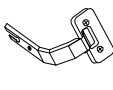

58x58 GN-90 1F

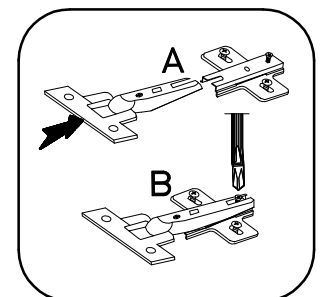
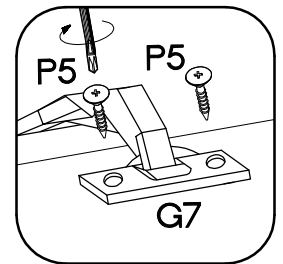
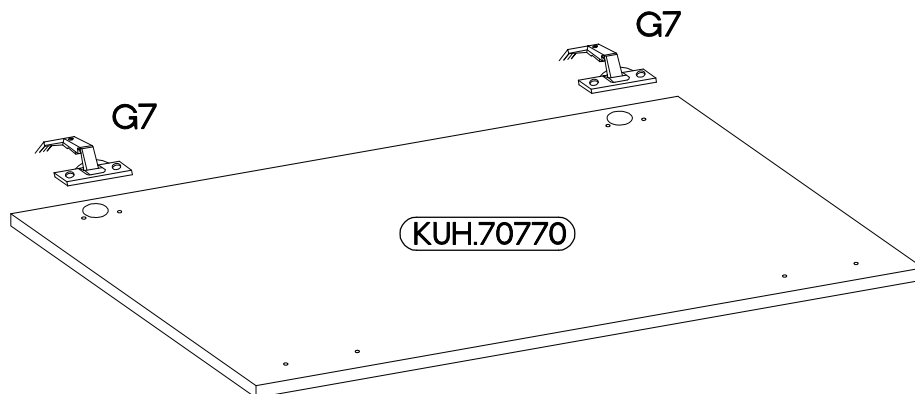
LEFT

RIGHT



5

		
H	G7	P5
2	2	4



6

M4x22mm



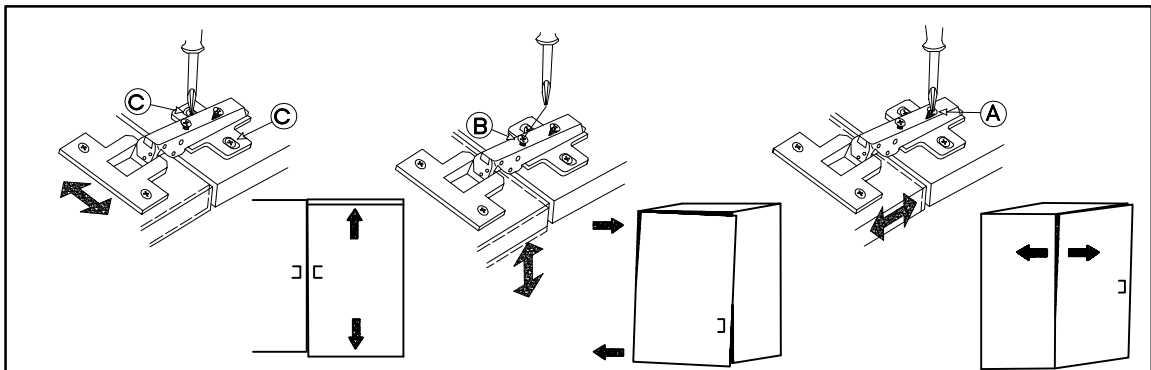
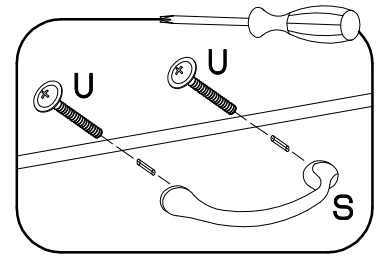
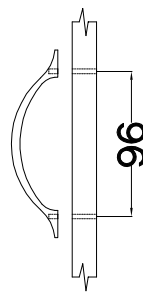
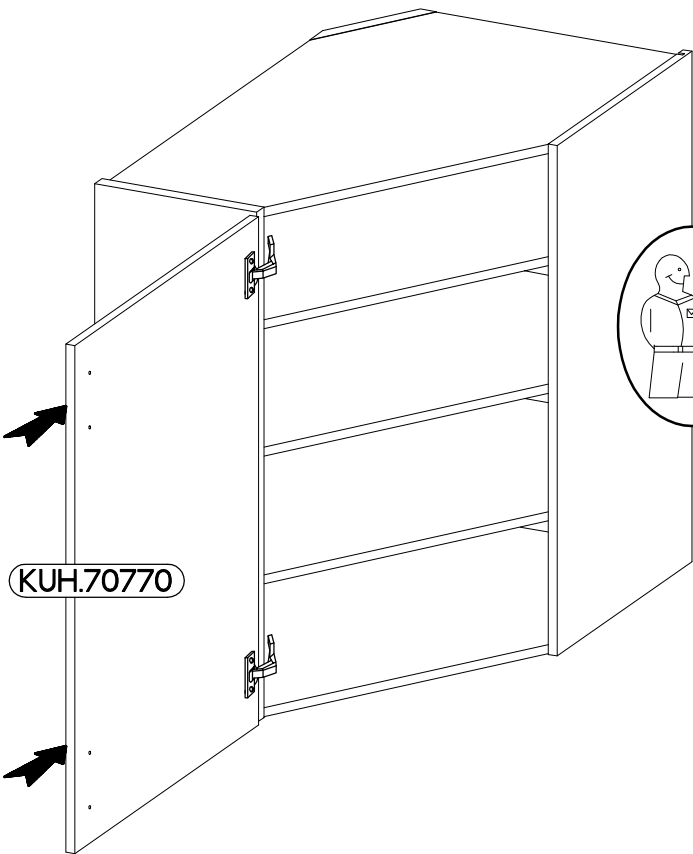
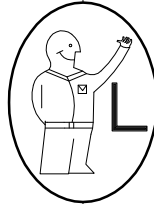
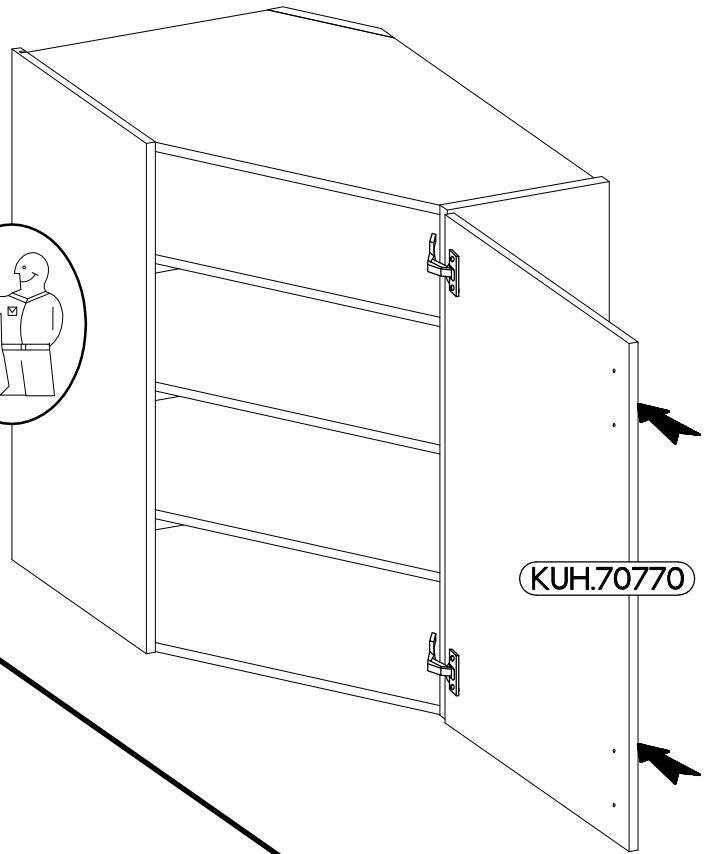
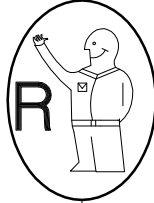
U

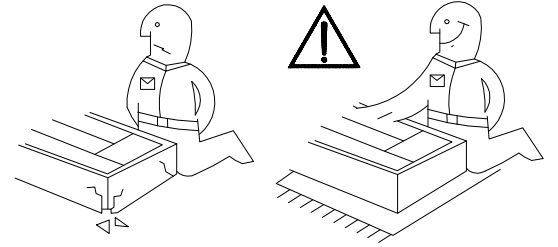
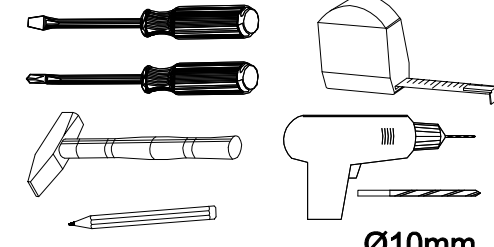
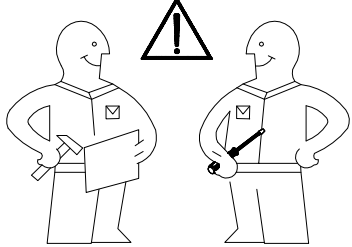
2



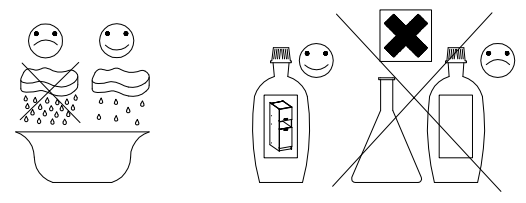
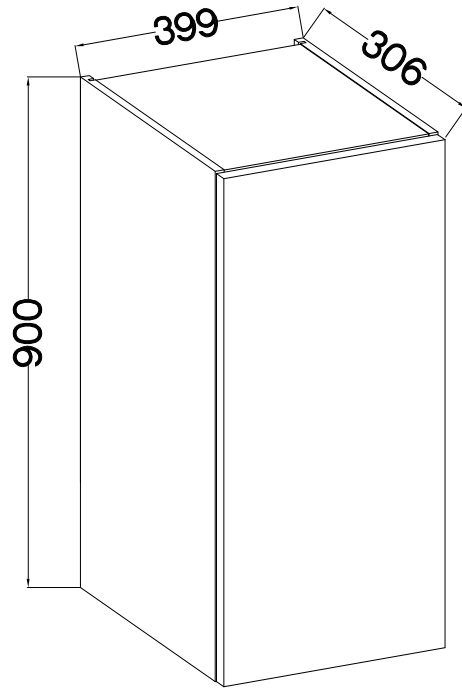
S

1

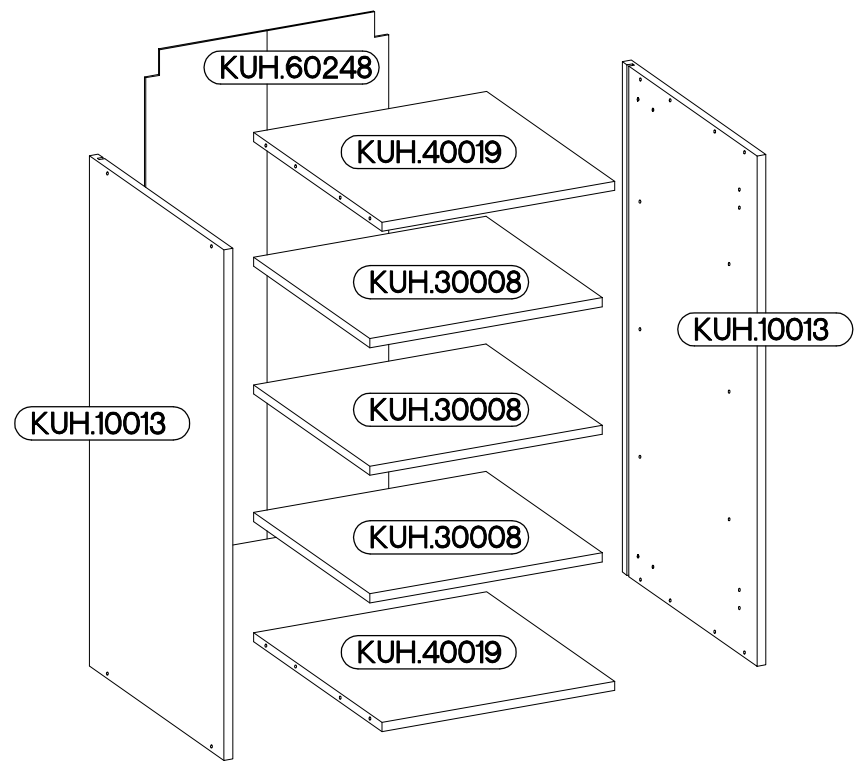
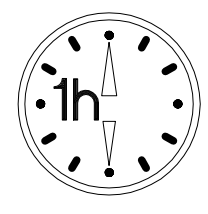




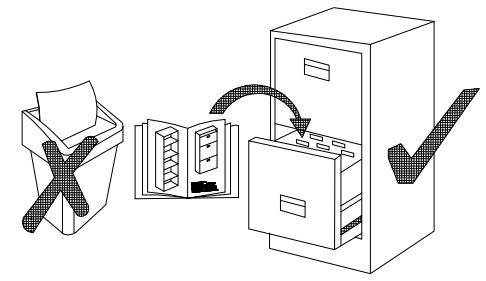
Ø10mm
40 G-90 1F



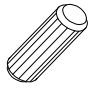

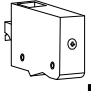
KUH.30008
KUH.40019

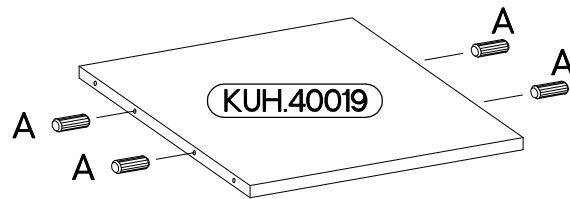
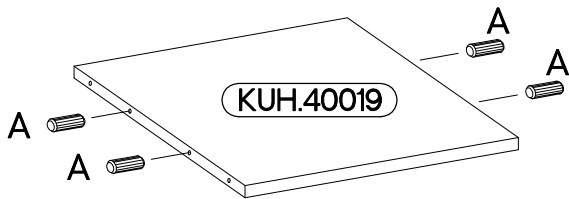
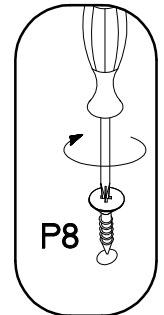
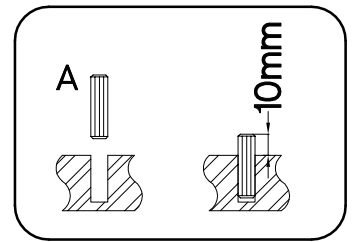
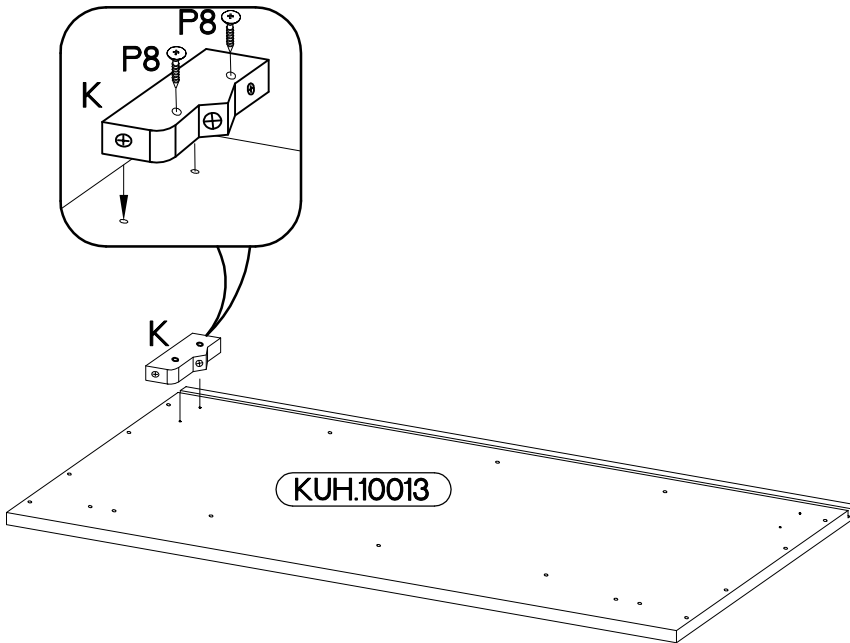
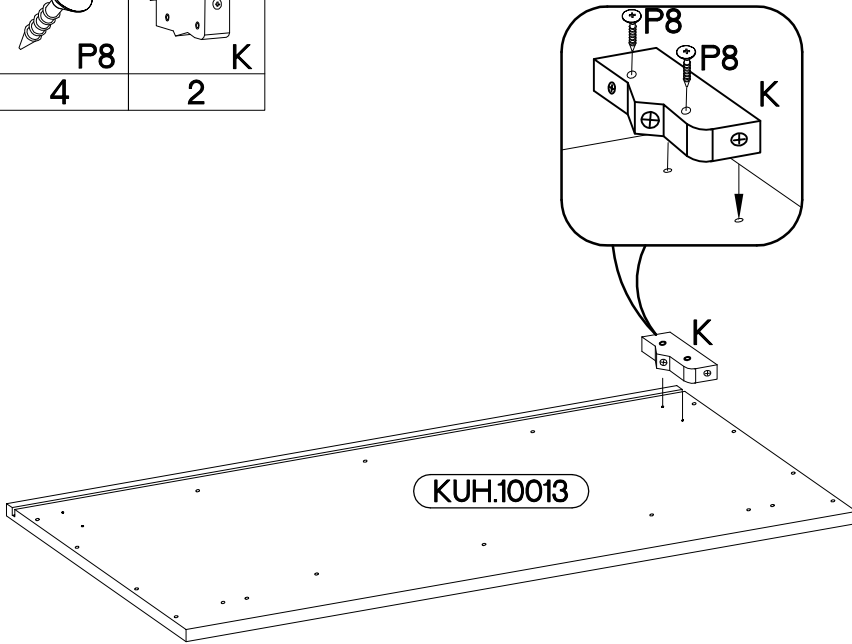
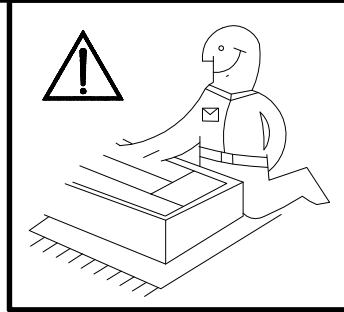


 †8x30mm A 8	 6,4 x 50mm B 8	 E1 8	 †35/0mm HG 2	 †3.5x13mm P5 4	 †3.0x20mm P7 8-10	 †4.0x30mm P8 4
 J 12	 K 2	 O 1				

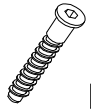
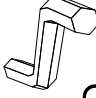



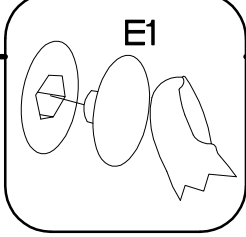
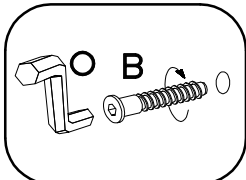
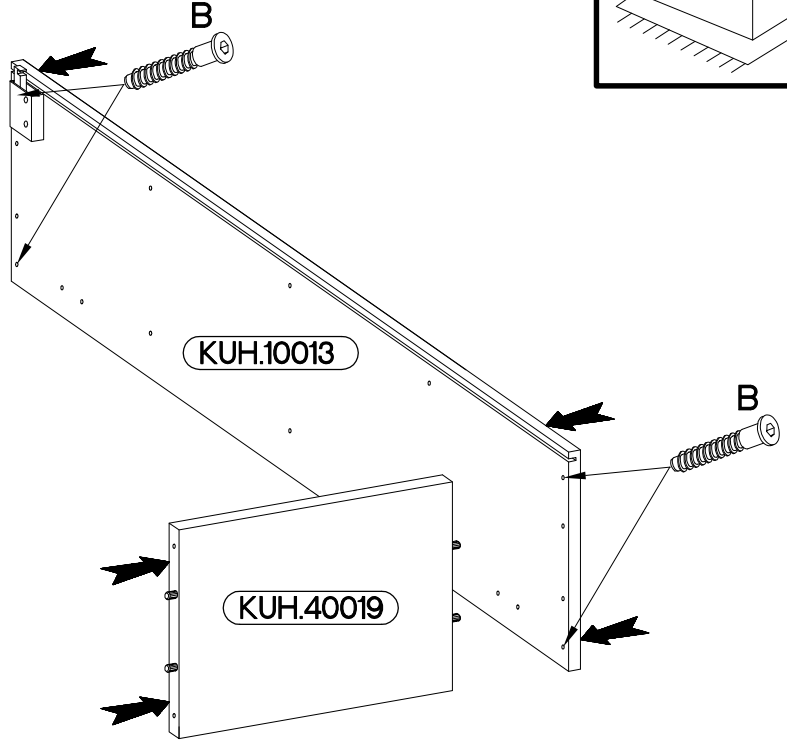
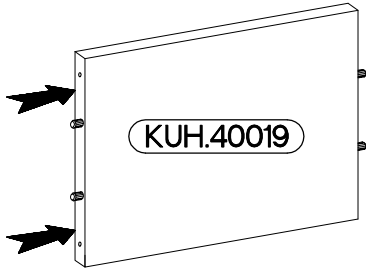
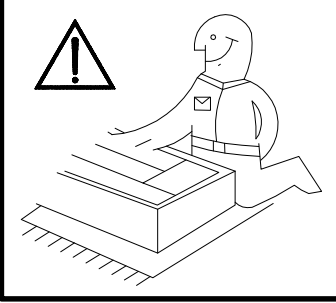
ISM-KUH-01135

 ±8x30mm A	 ±4.0x30mm P8	 K
8	4	2

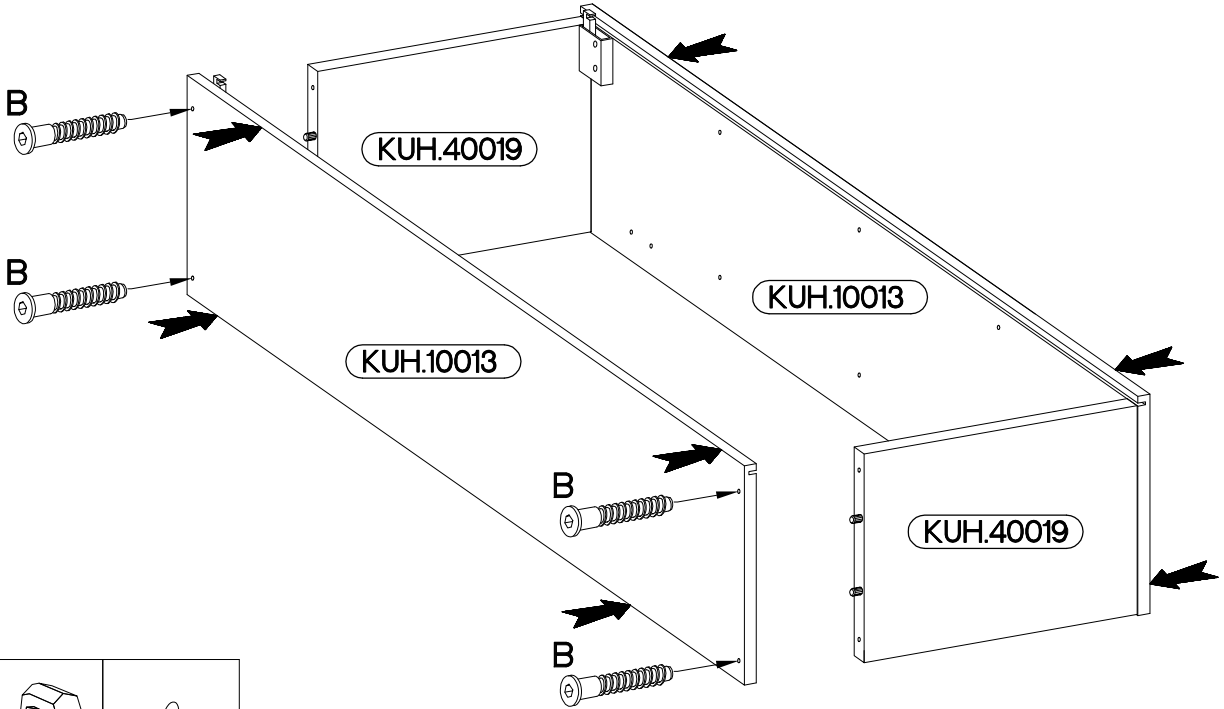


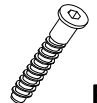
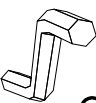

2

6,4 x 50mm		
		
B	O	E1
4	1	4

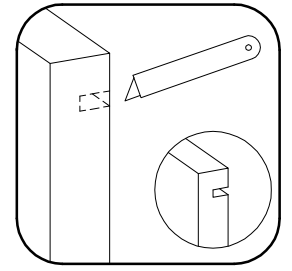
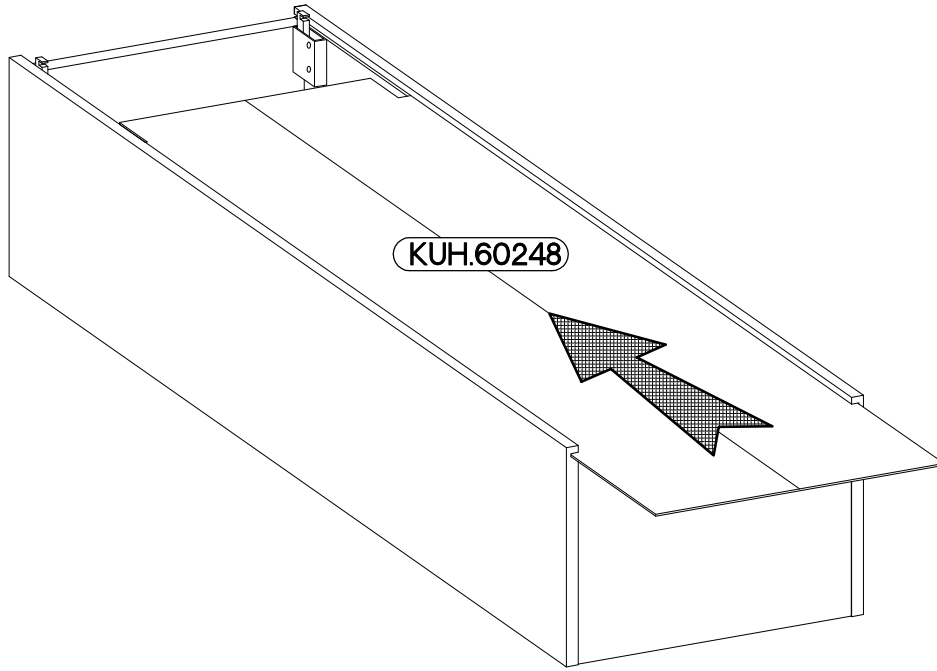
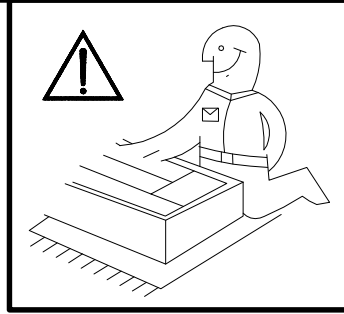


3

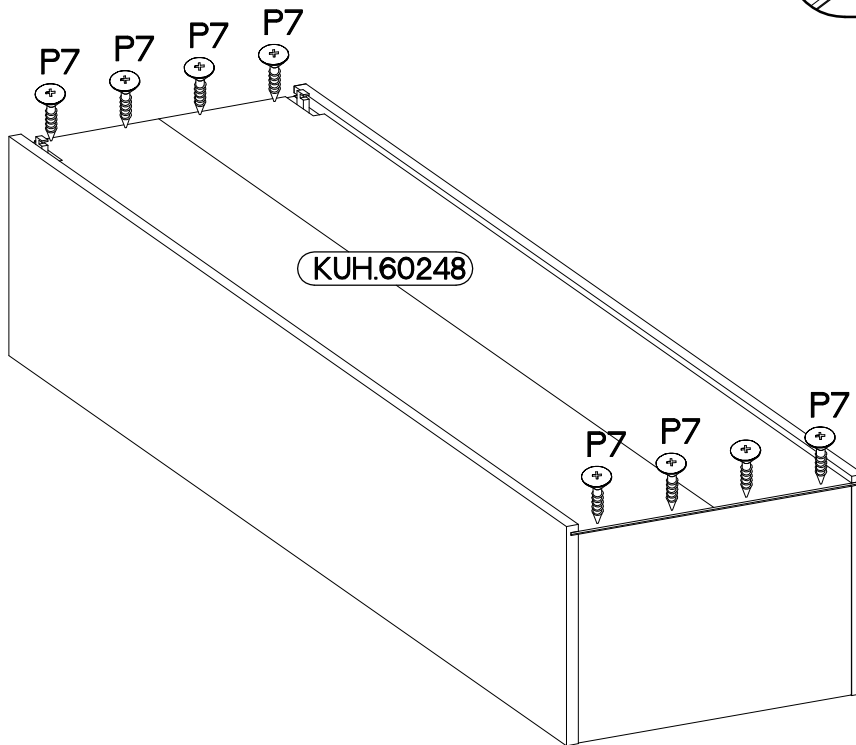
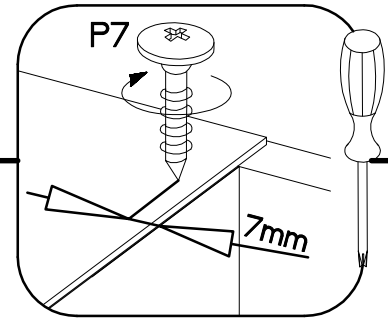
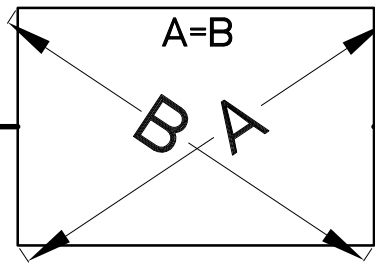
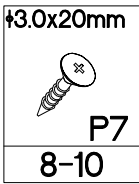


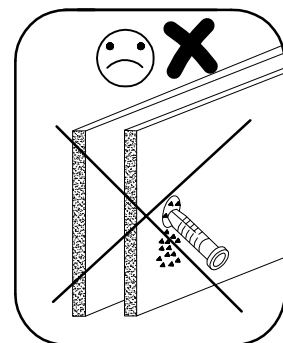
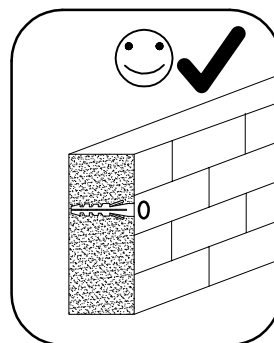
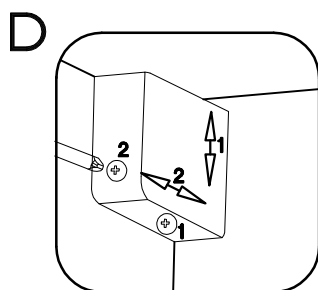
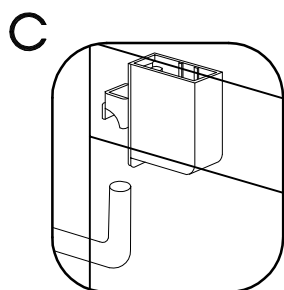
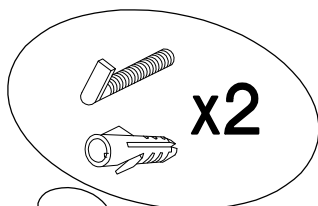
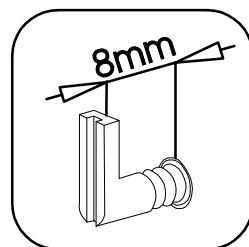
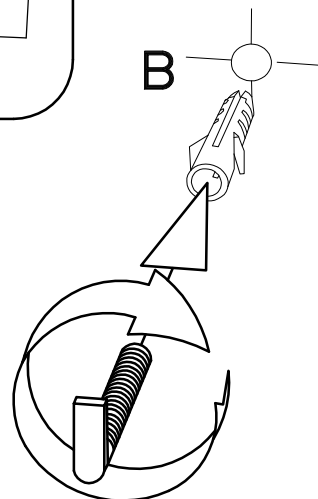
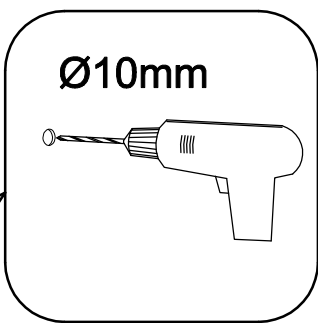
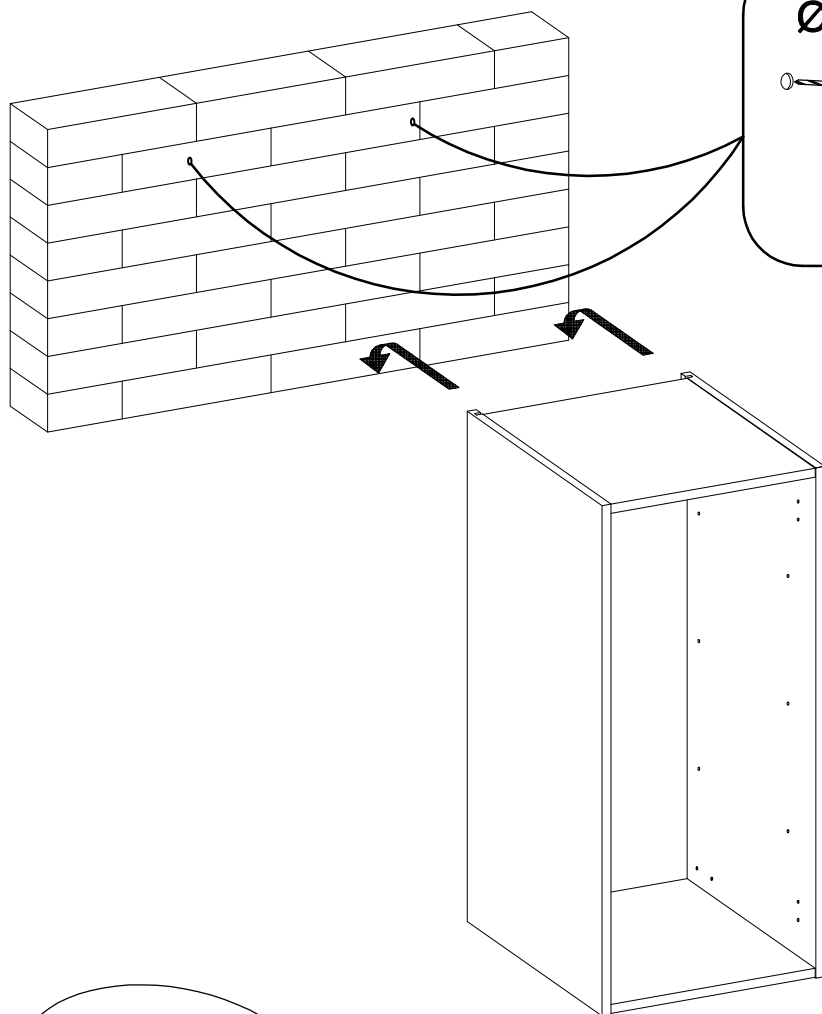
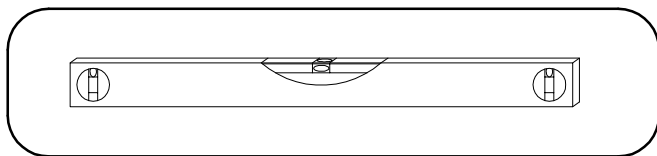
6,4 x 50mm		
		
B	O	E1
4	1	4

4

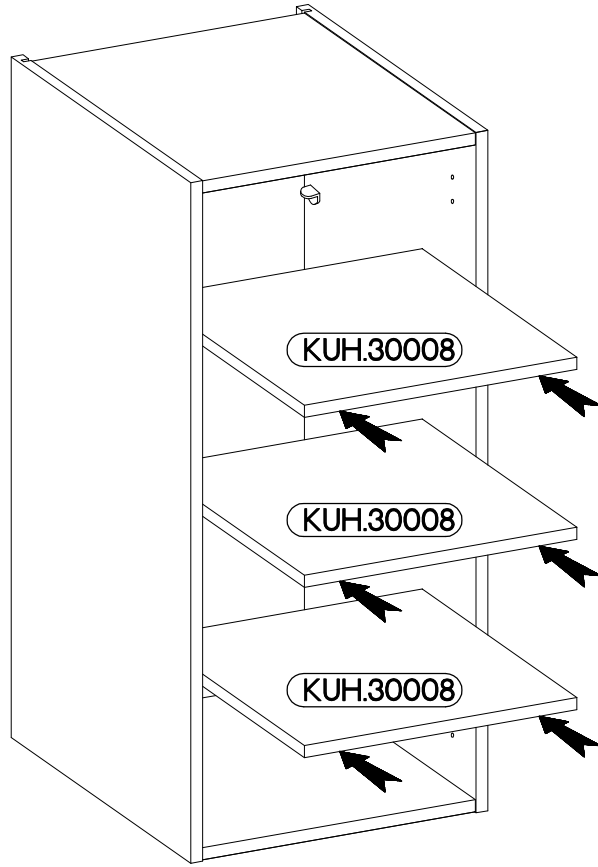
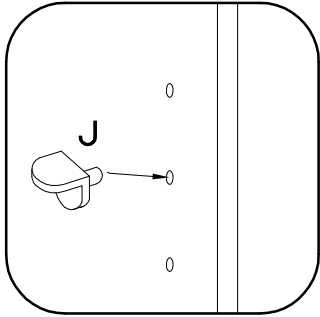
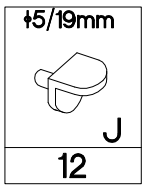


5





7



8

FRONT

