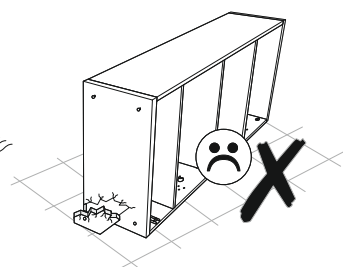
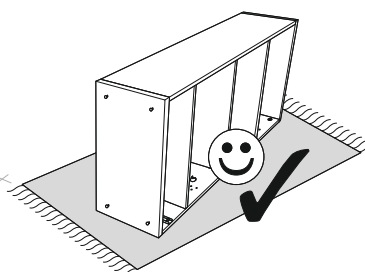
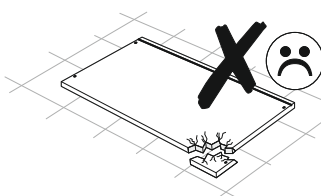
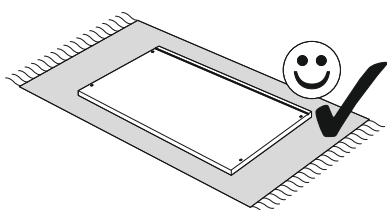
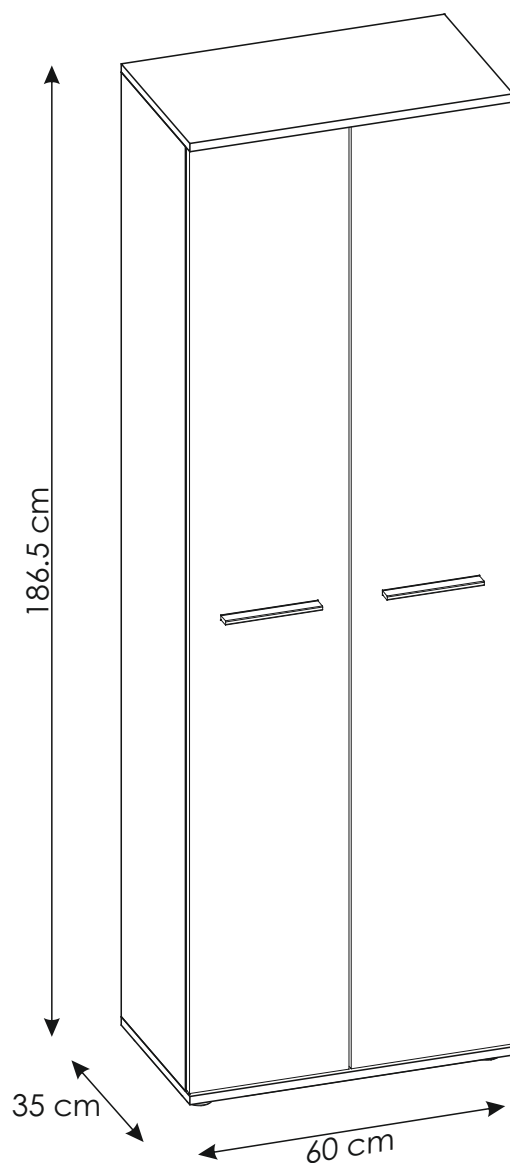
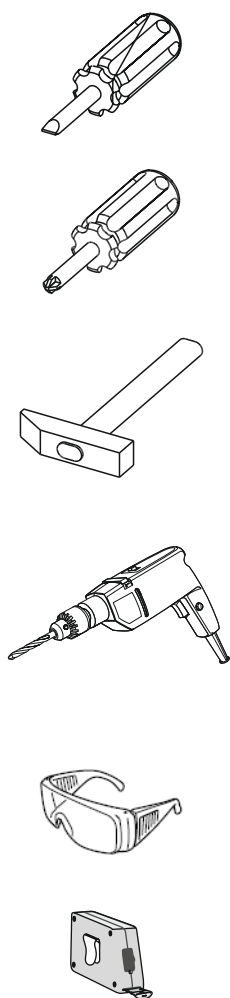
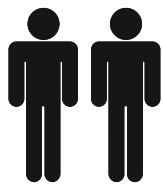
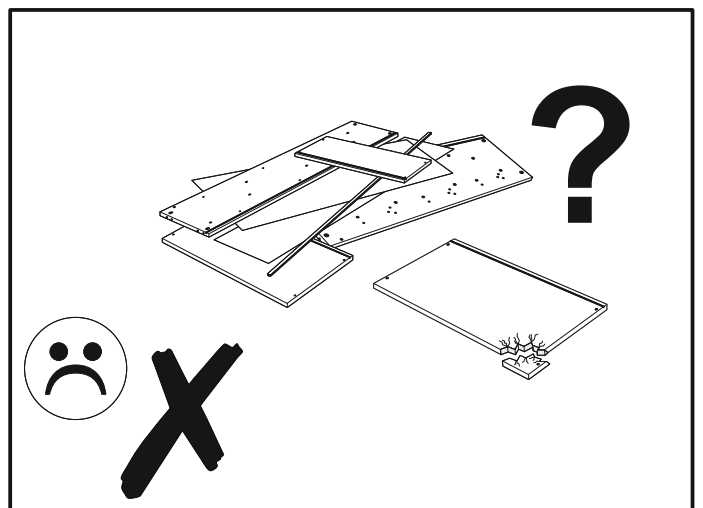
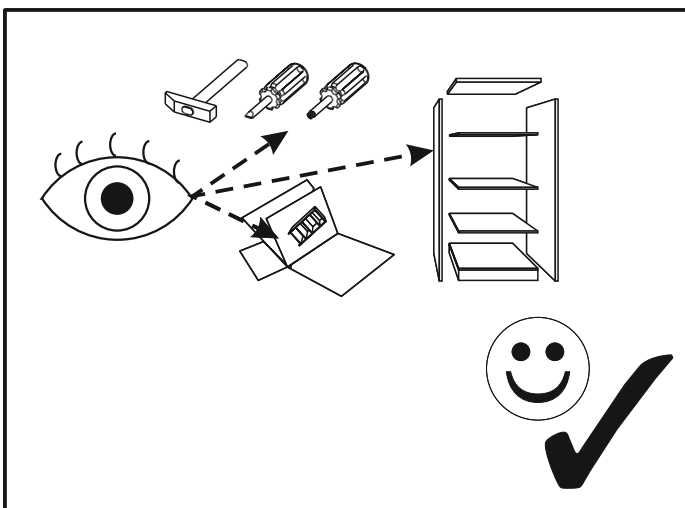
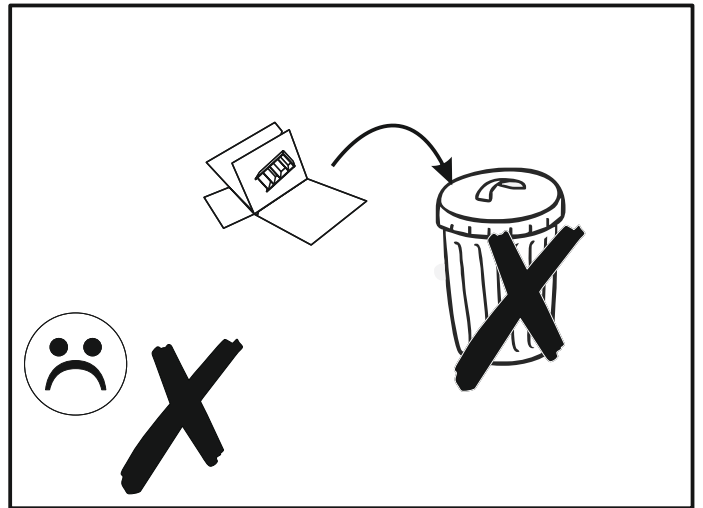
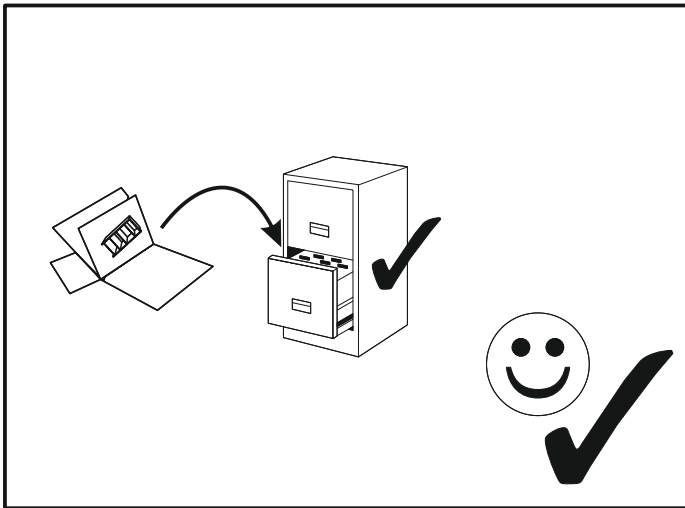
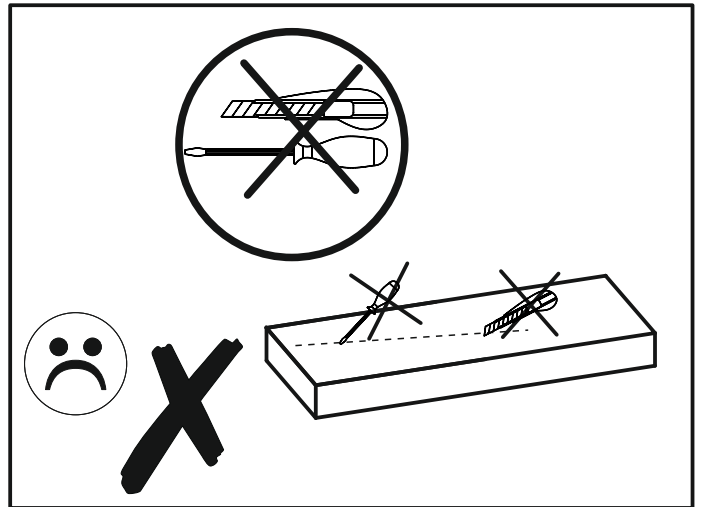
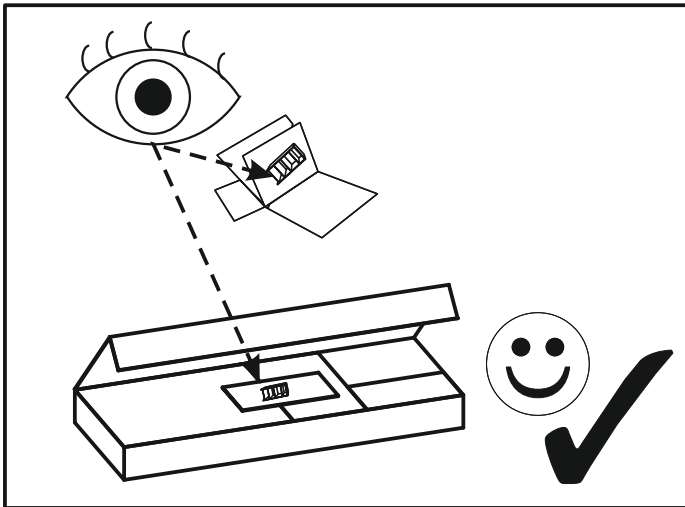
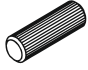
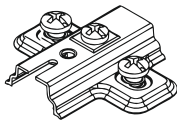
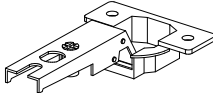

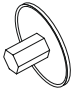

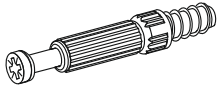




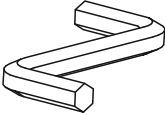
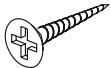
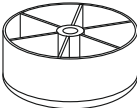
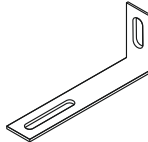
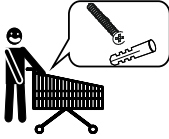
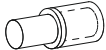
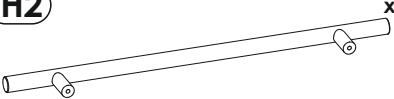



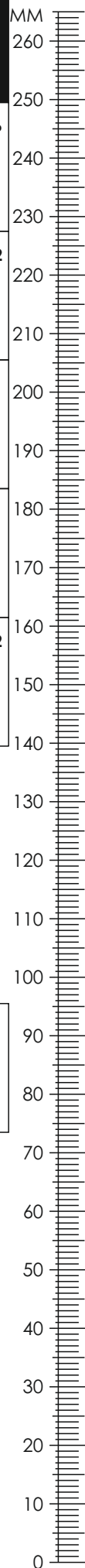
GEMINI - SZAFKA 2D



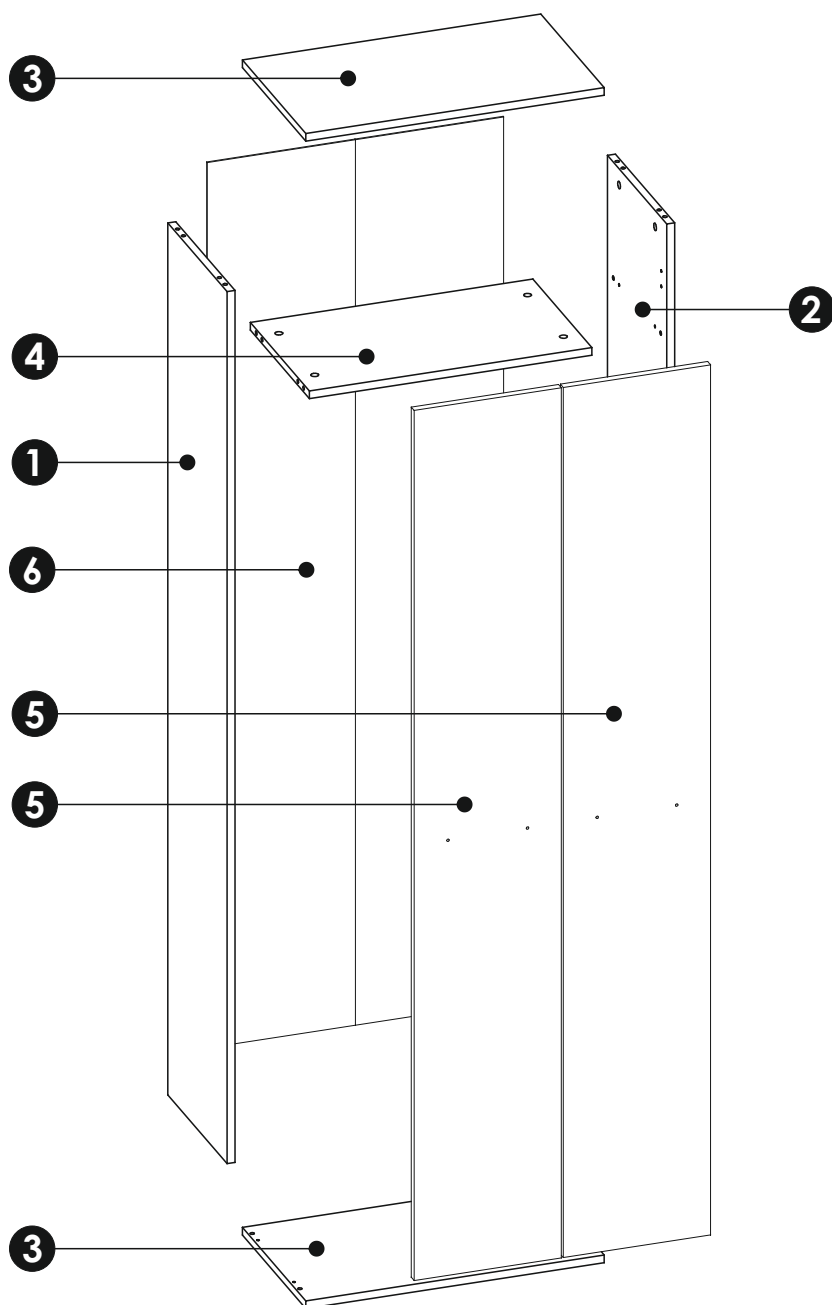
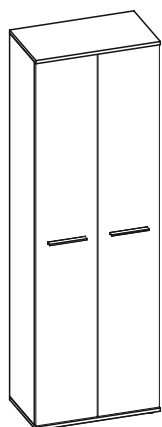


GEMINI - SZAFKA 2D

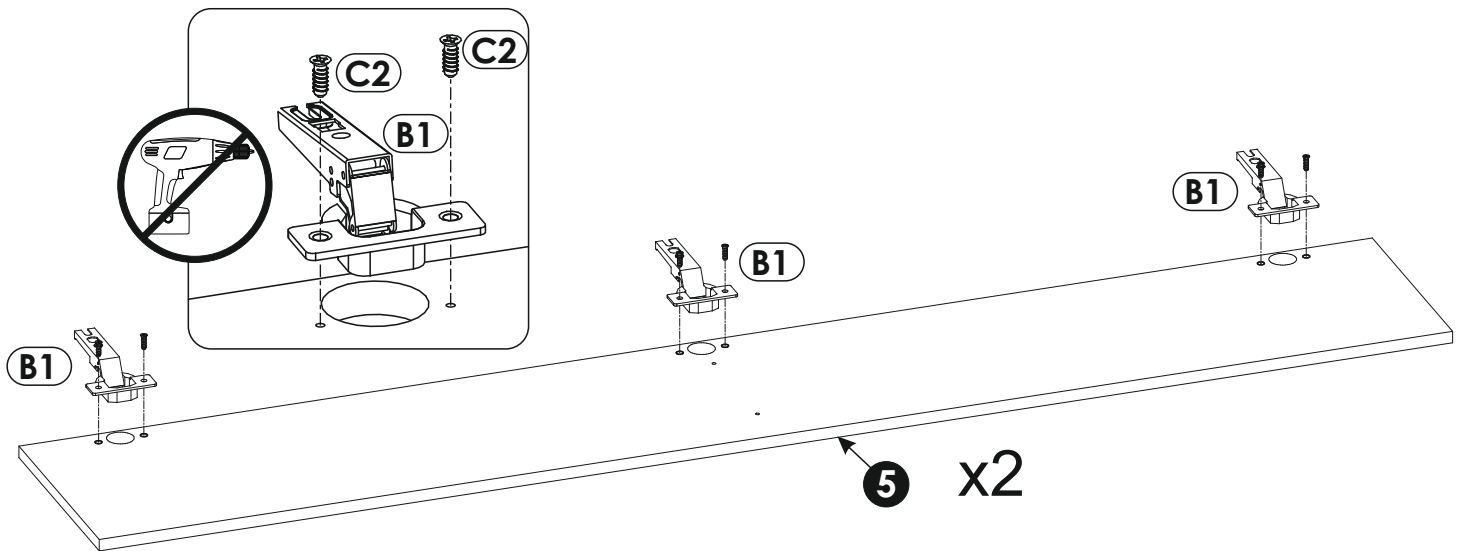
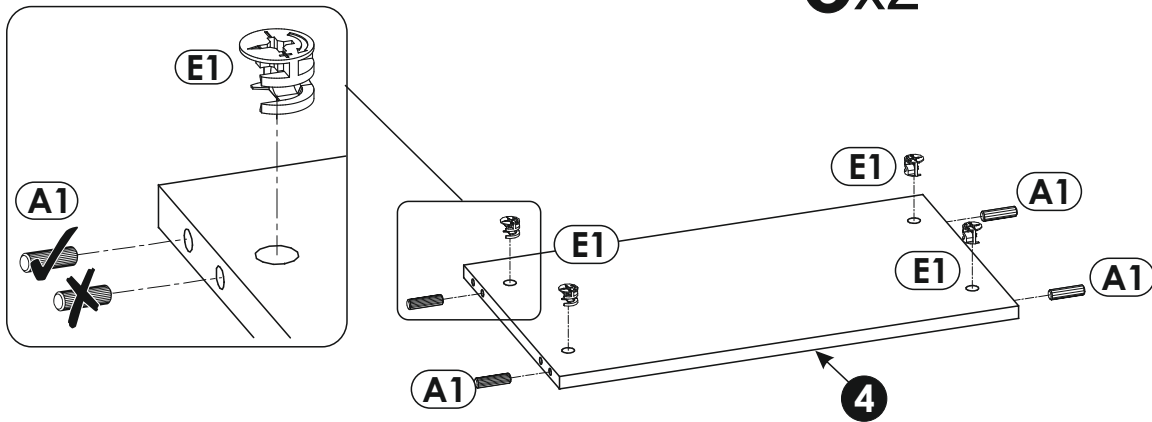
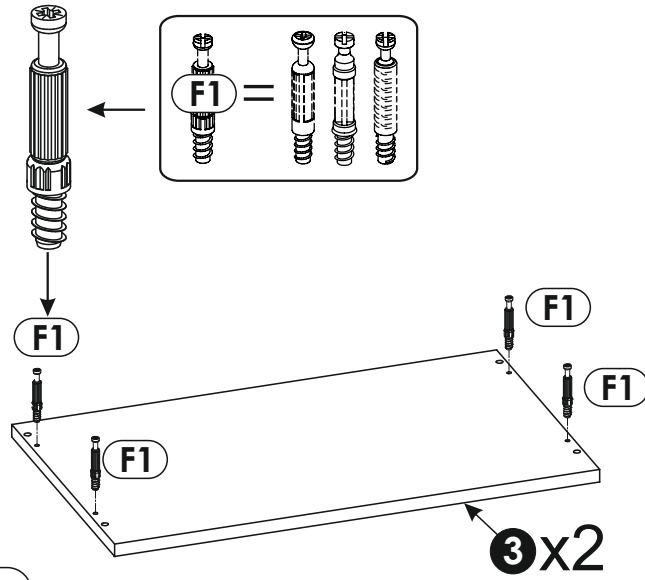
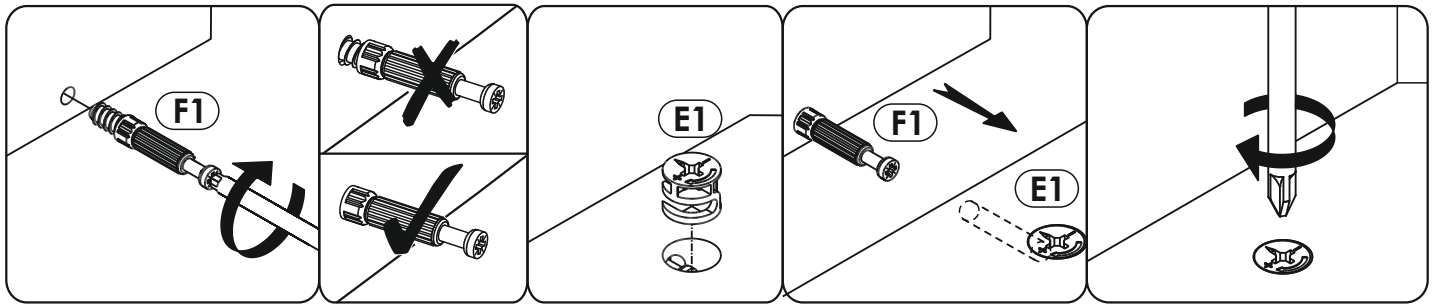
A1 8 x 35 mm x12 	B0 x6 	B1 x6 
C2 5 x 13 mm x12 	E0 x8 	E1 15 x 12 mm x12 
F1 6 x 34 mm x12 	H1 x2 	I2 3,5 x 16 mm x1 
I10 3,0 x 20 mm x4 	I11 3,5 x 27 mm x4 	M x1 
N1 3 X 16 mm x38 	O1 x4 	Q9 x2 
 x2		
D2 x20 	H2 x1 	K3 M4 x 22mm x2 



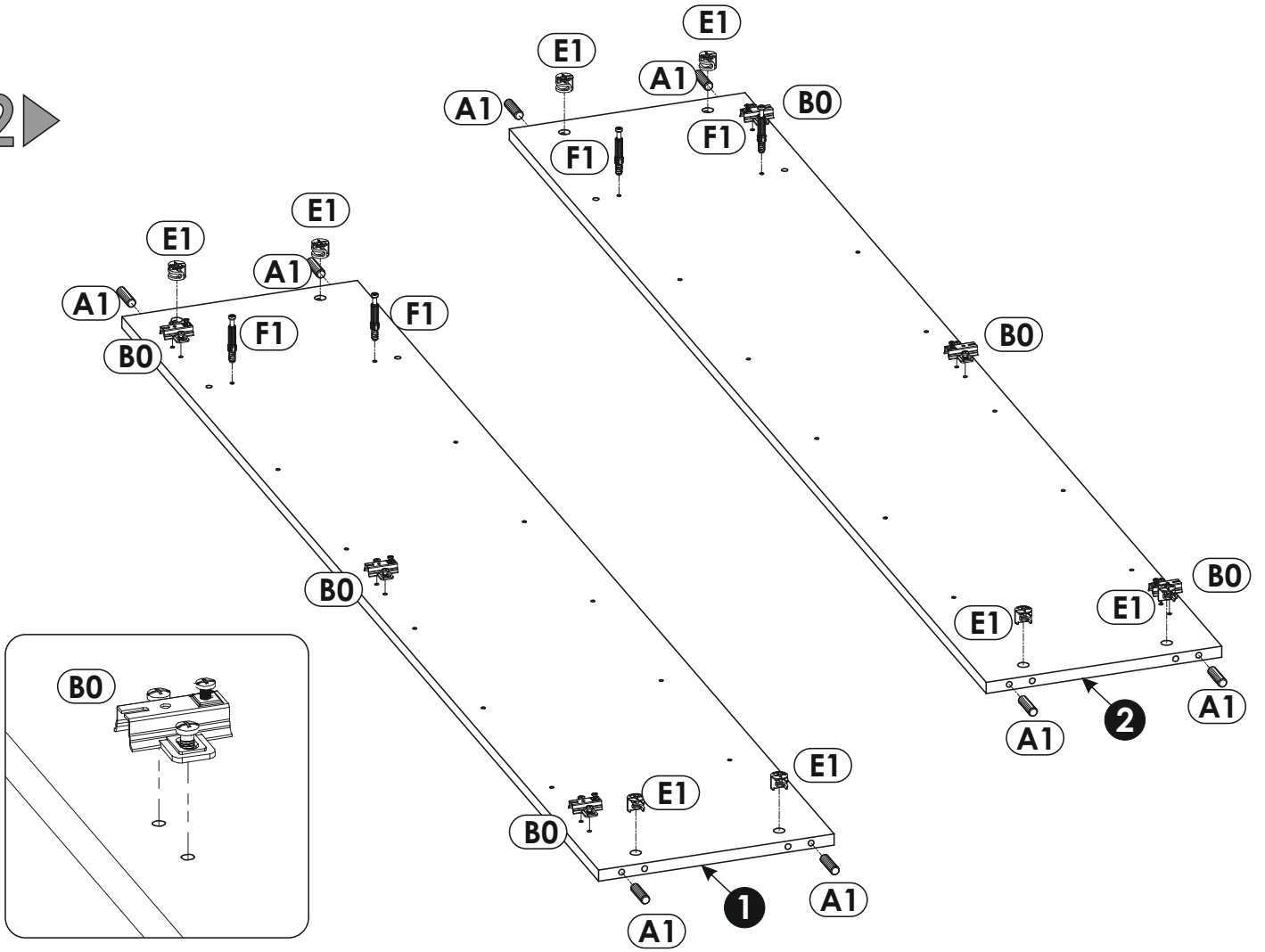
GEMINI - SZAFKA 2D



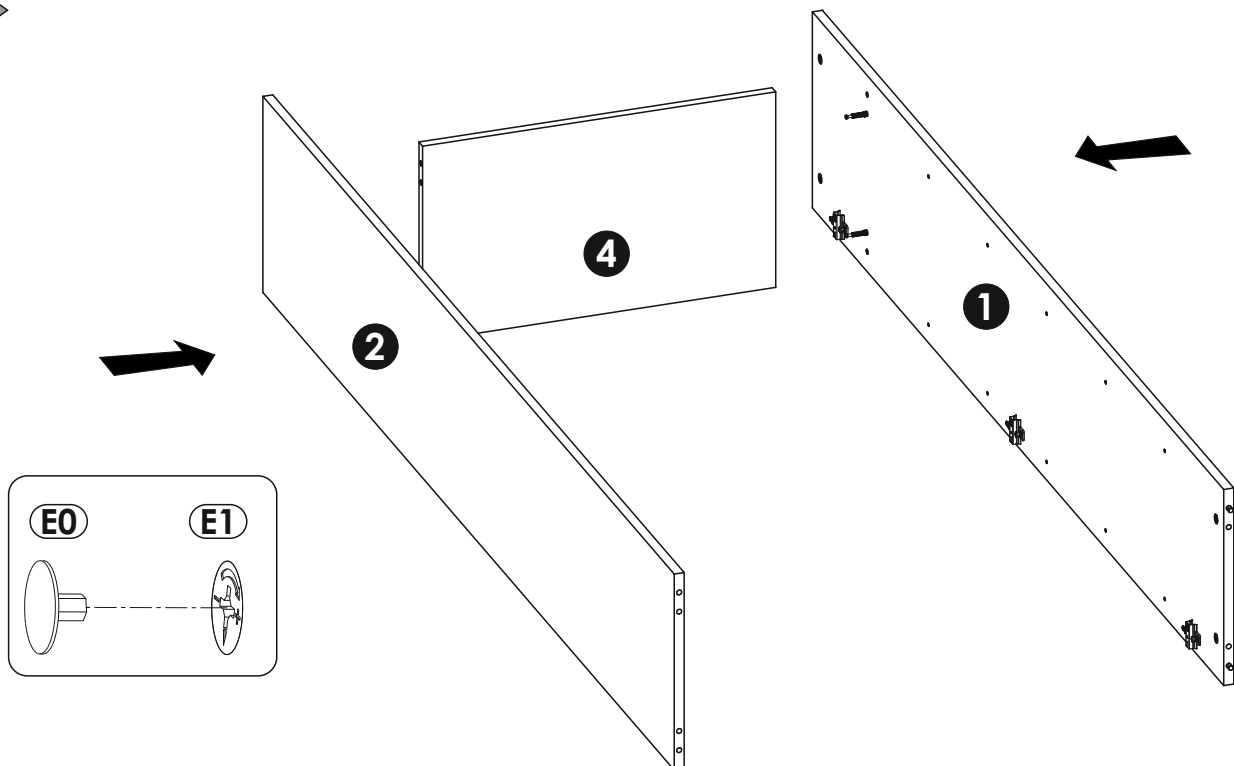
1	1818	327	16	x1	1/1
2	1818	327	16	x1	1/1
3	600	350	16	x2	1/1
4	568	326	16	x1	1/1
5	1814	296	16	x2	1/1
6	1846	596	3	x1	1/1



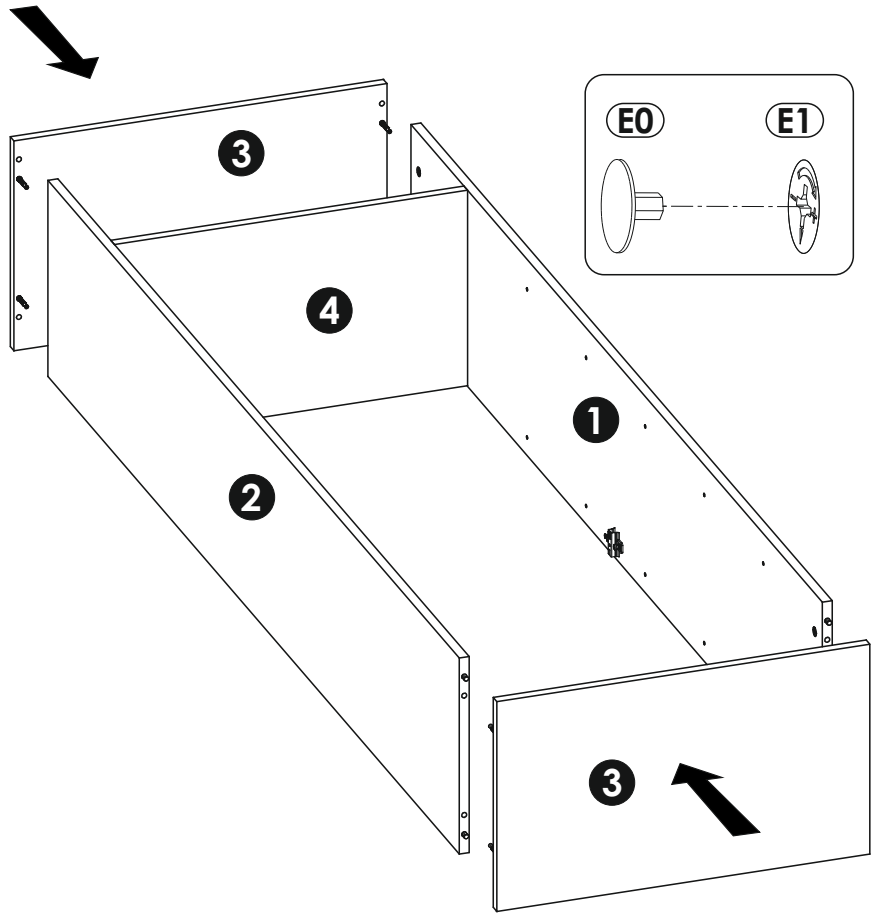
2 ▶



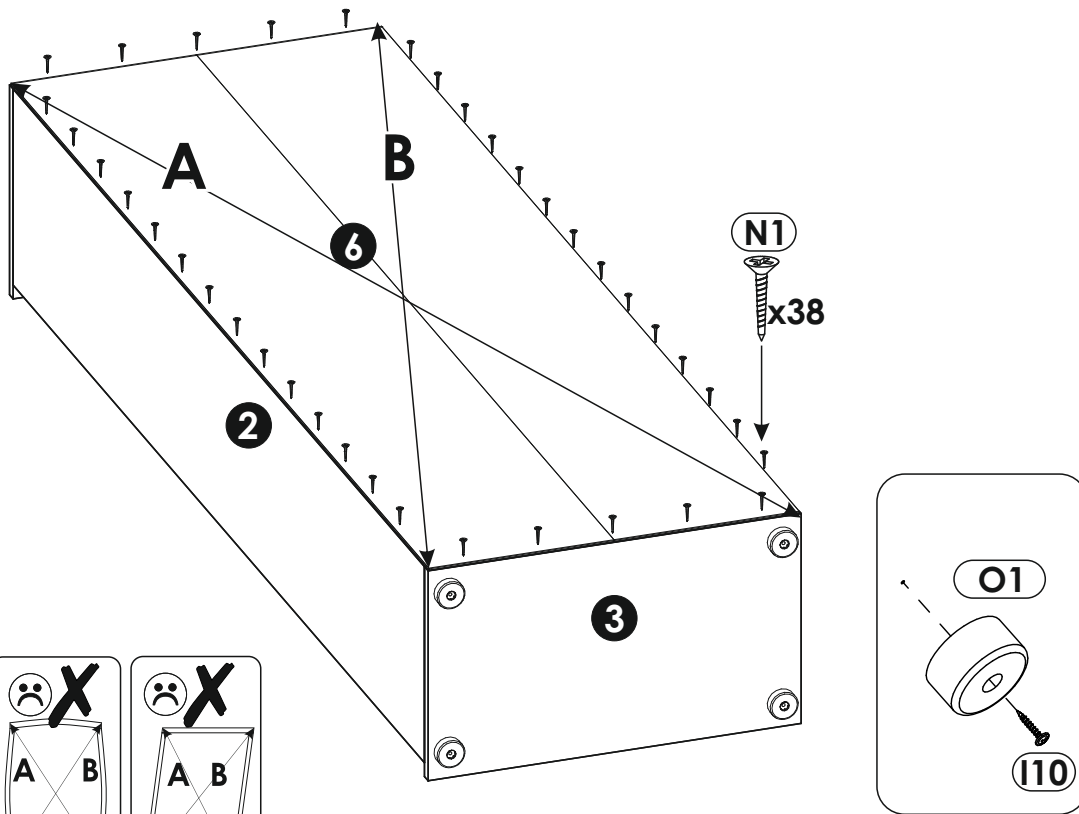
3 ▶



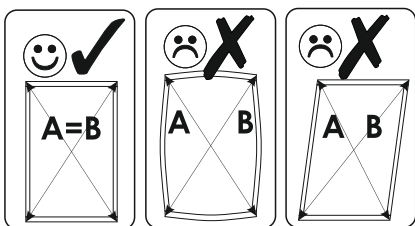
4



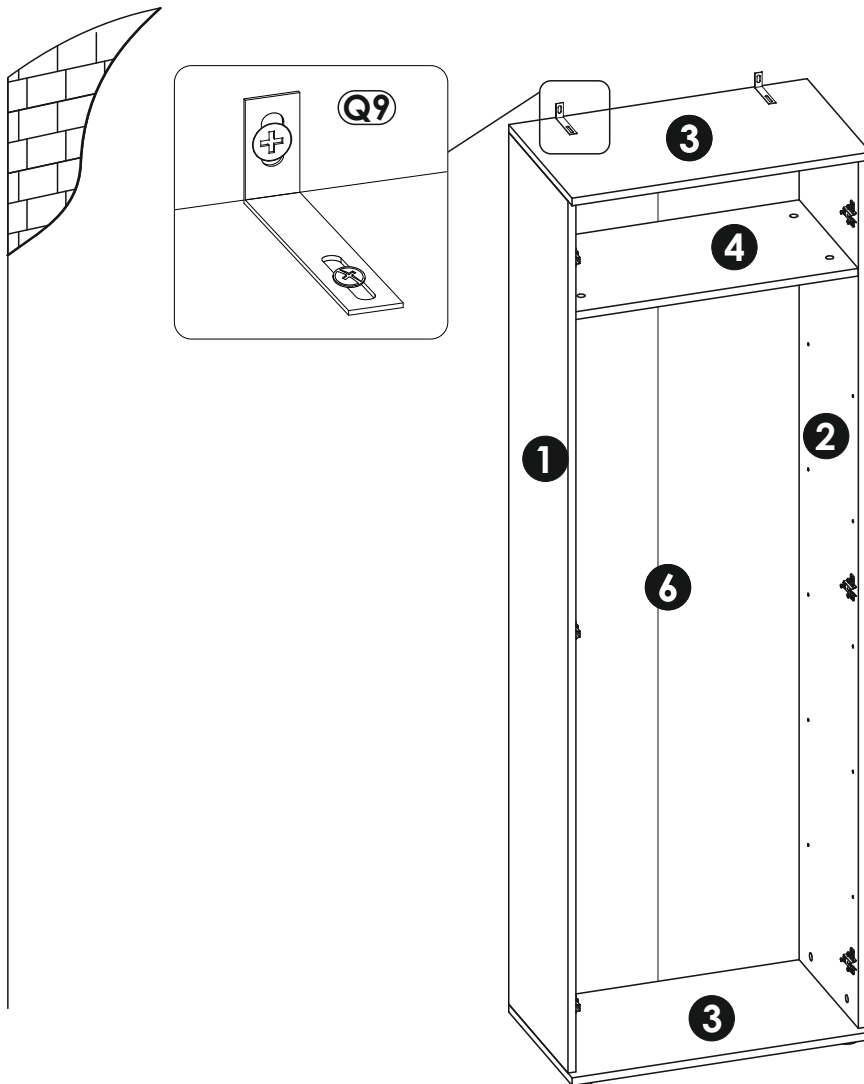
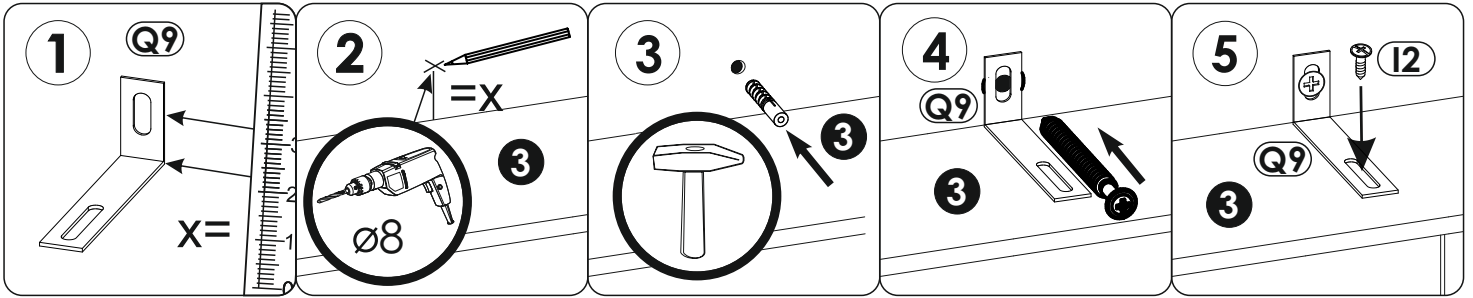
5



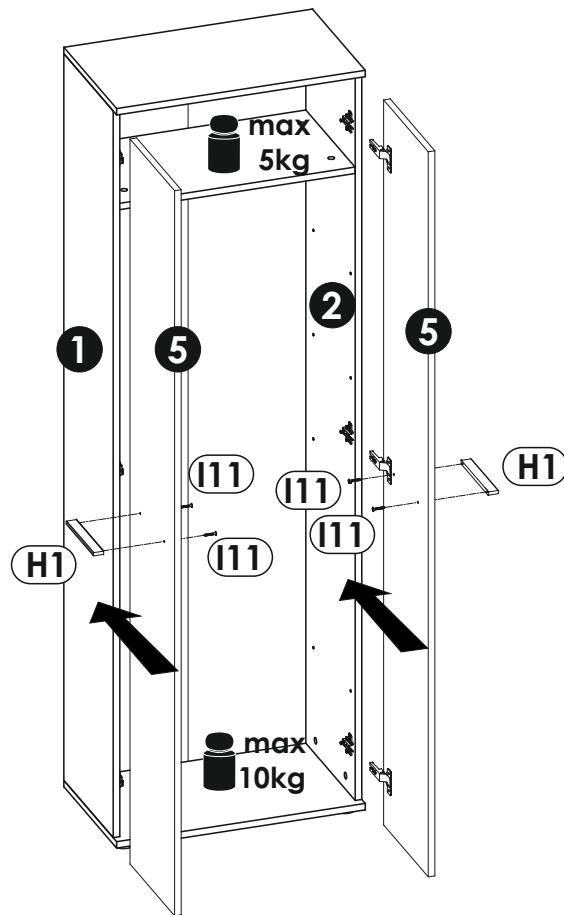
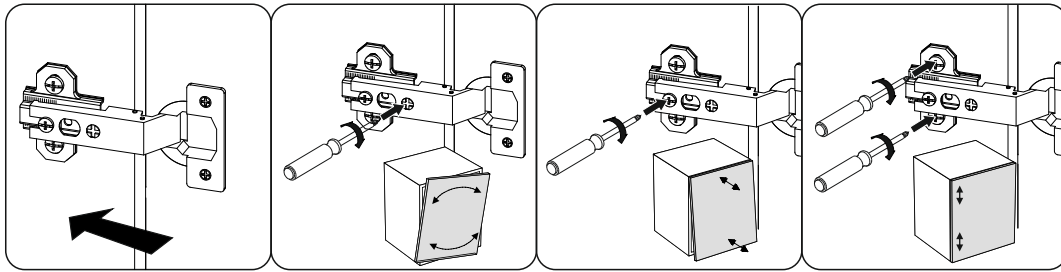
A=B



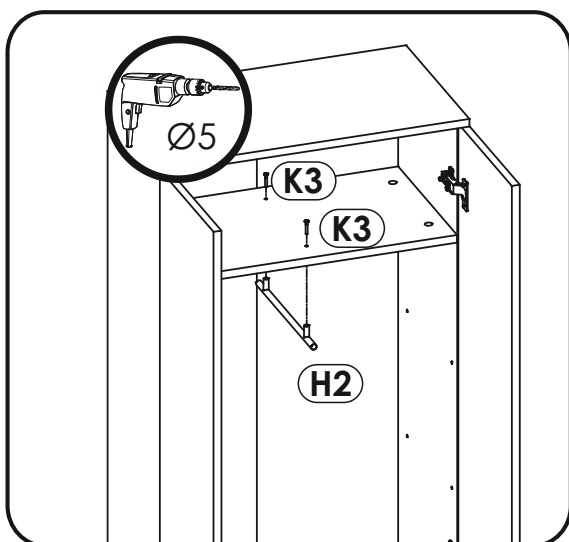
6 ▶



7 ▶



V.A. ▶



V.B. ▶

