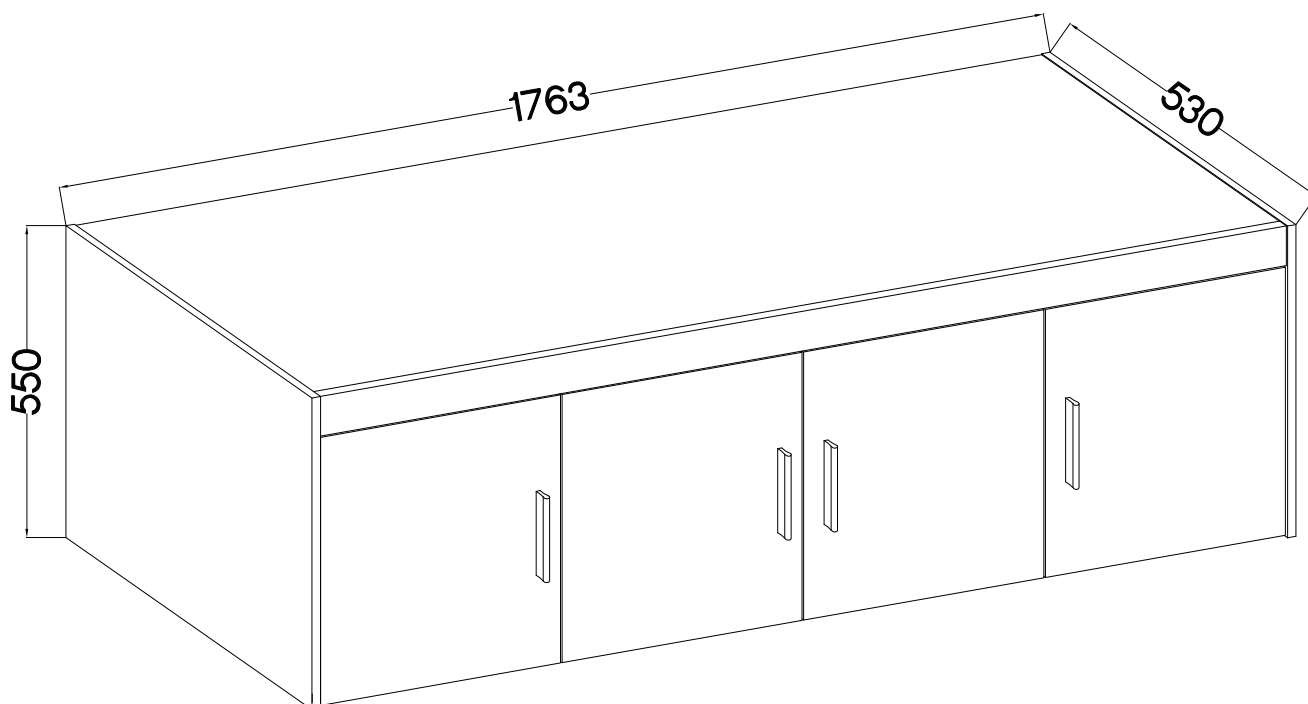
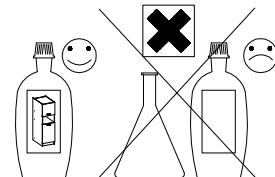


60 min

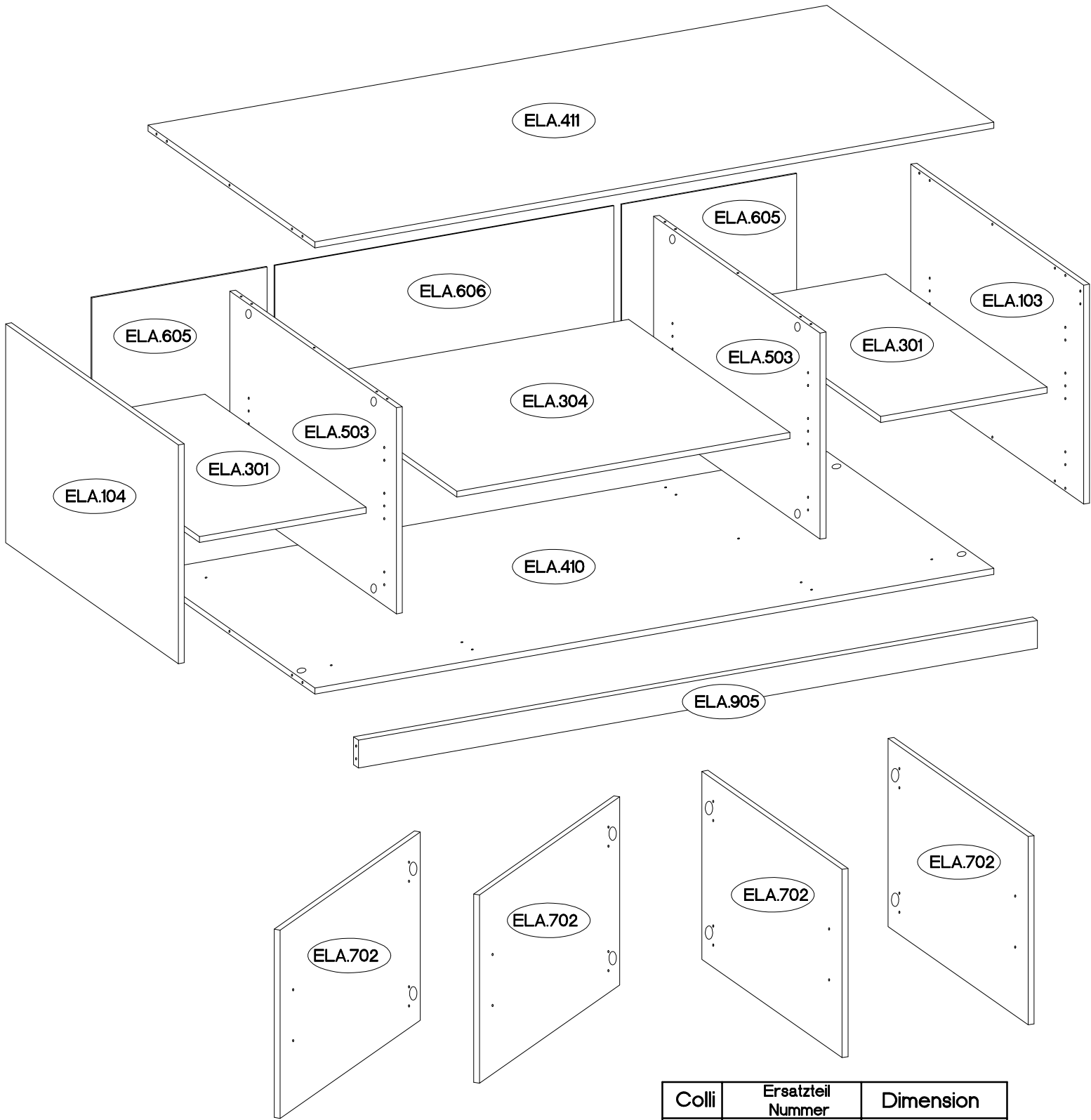
ELENA NA 4D



 A	 C	 D2	 E
28	16	16	16

 HG1	 HG2	 J3	 L2	 P1	 P5	 P7	 R	 R2	 S	 T3
4	4	12	6	4	16	40	4	8	4	2

P-ISM-ELA-06

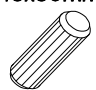
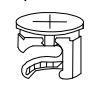

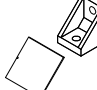



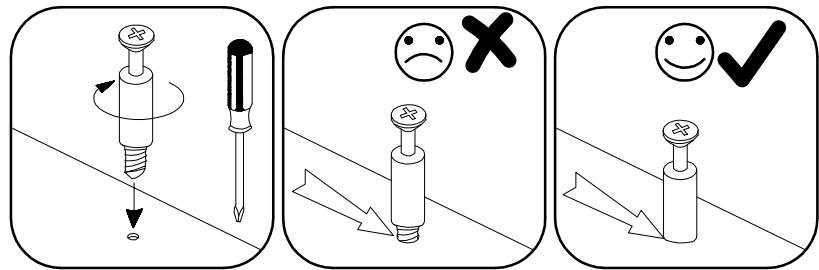
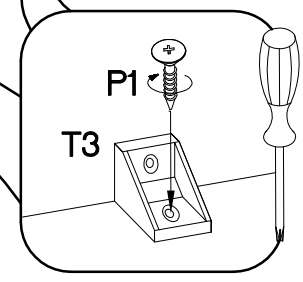
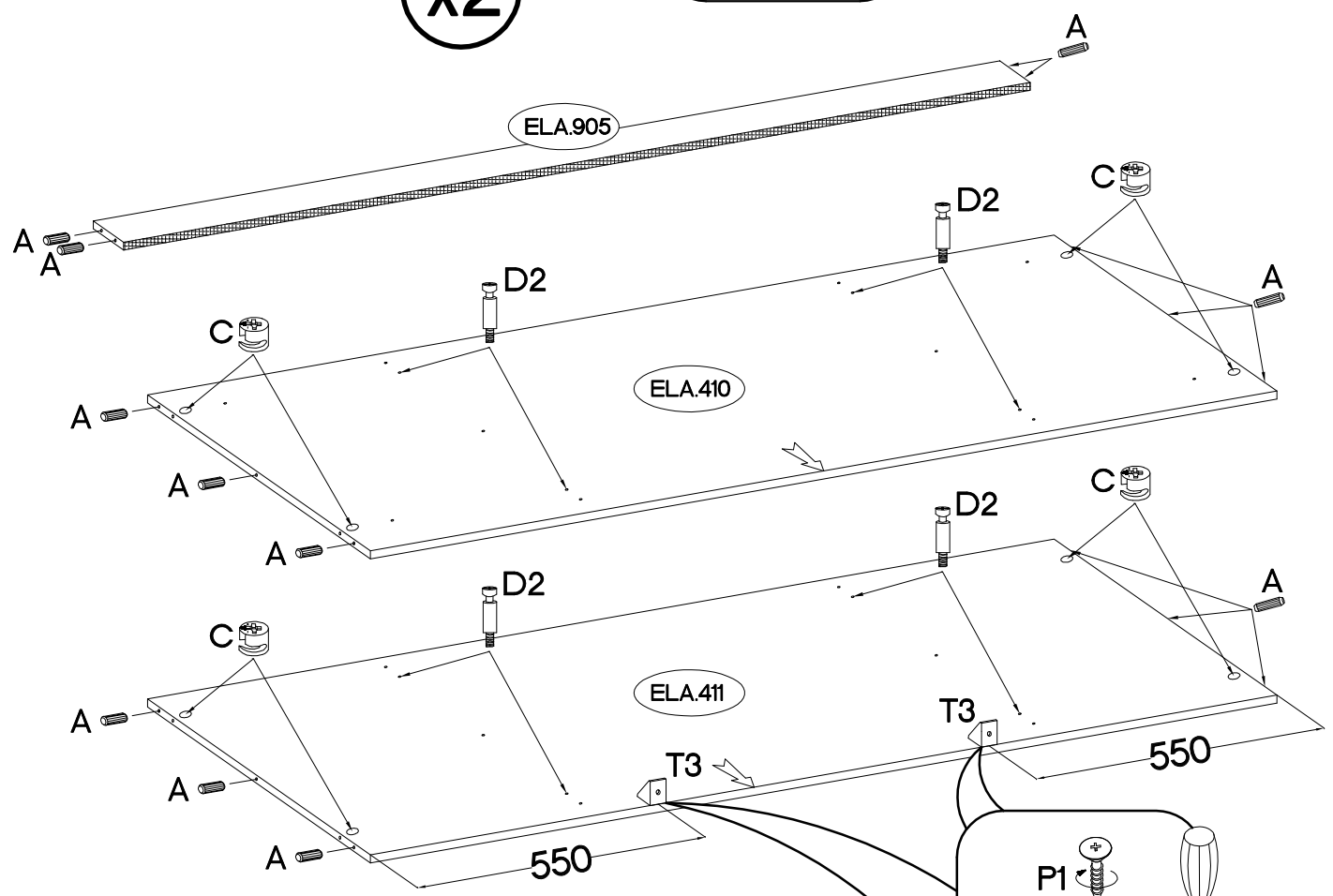
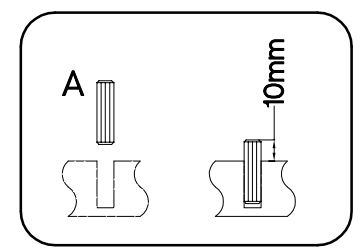
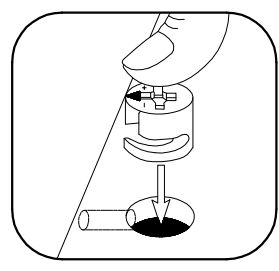
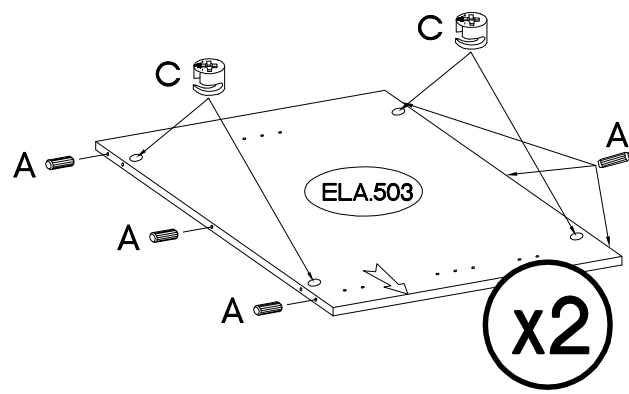
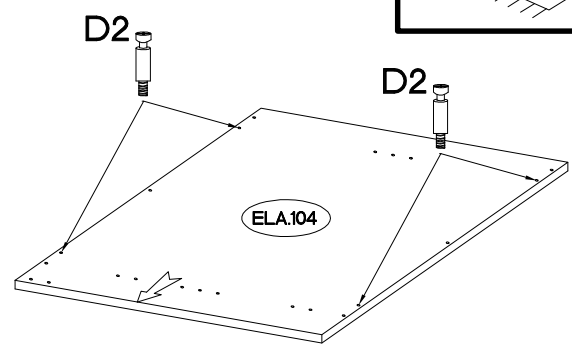
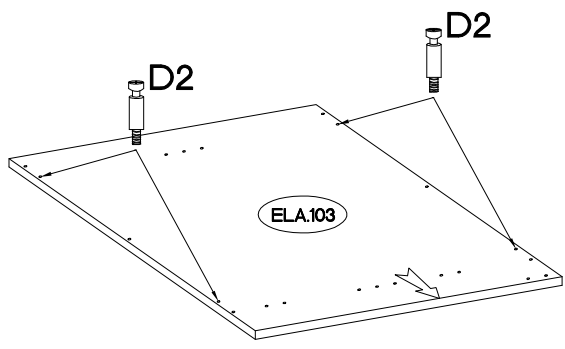
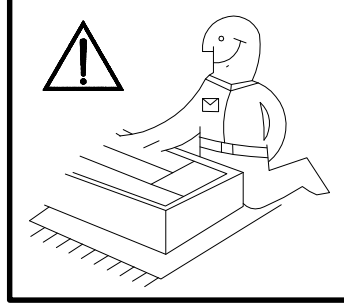
Colli	Ersatzteil Nummer	Dimension
Colli 1/2	ELA.103	550x530x15
	ELA.104	550x530x15
	ELA.301 x2	425x495x15
	ELA.304	850x495x15
	ELA.503 x2	518x511x15
	ELA.702 x4	473x430x15

Colli	Ersatzteil Nummer	Dimension
Colli 2/2	ELA.410	1733x512x15
	ELA.411	1733x512x15
	ELA.605	546x447x2.5
	ELA.606	546x865x2.5
	ELA.905	1733x70x15

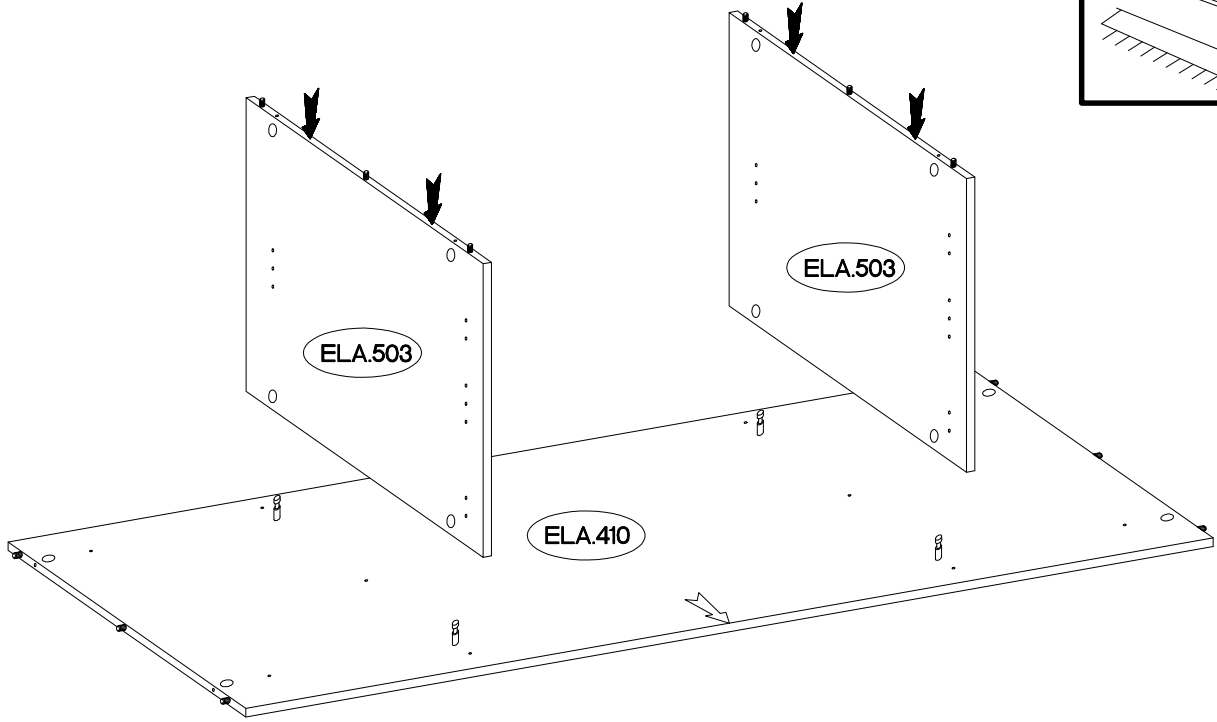
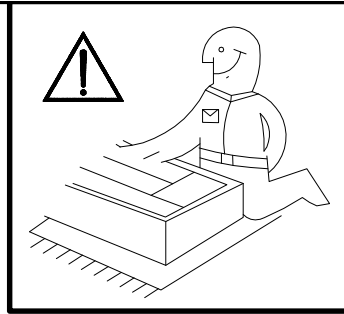


ELA.301  
ELA.304

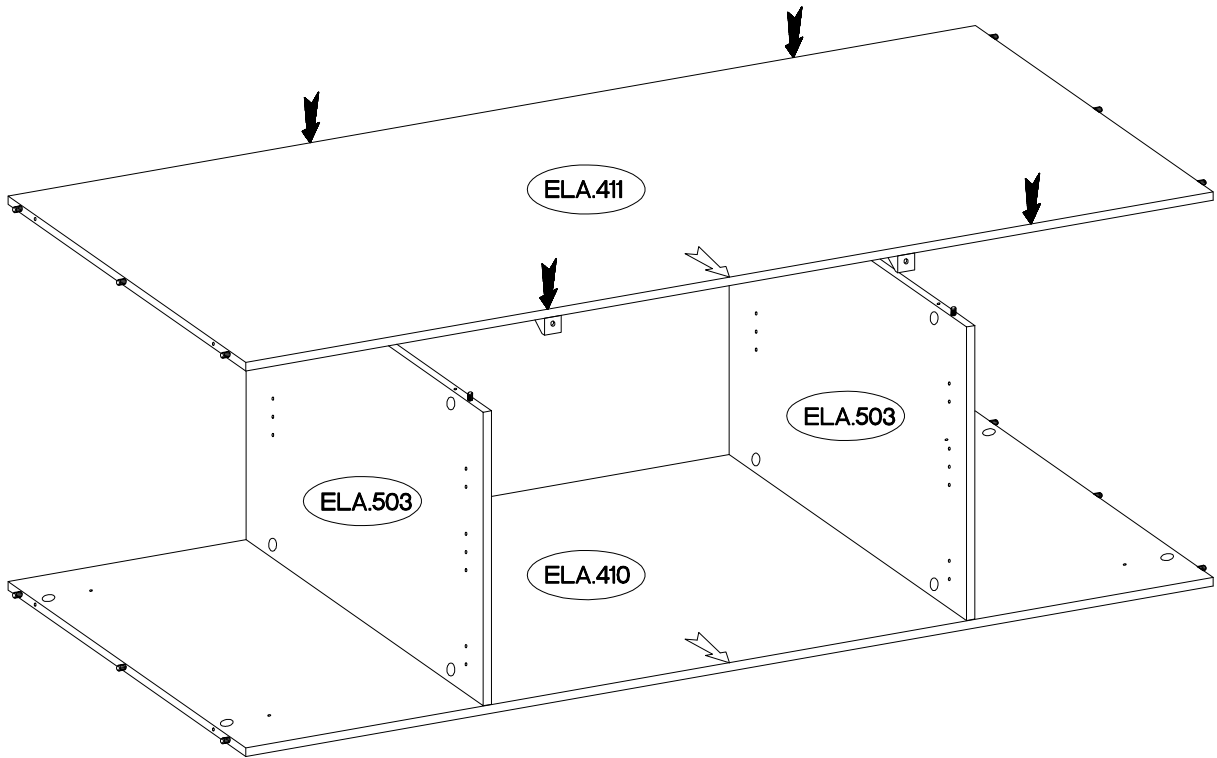
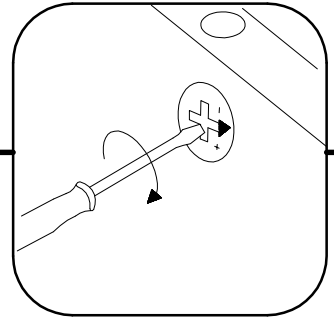
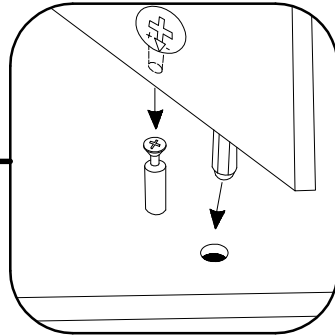
 <p>±8x30mm A</p>	 <p>±15/12mm C</p>	 <p>L=20mm D2</p>	 <p>±4.0x16mm T3</p>	 <p>±4.0x16mm P1</p>
28	16	16	2	2



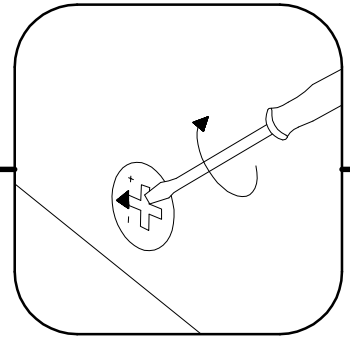
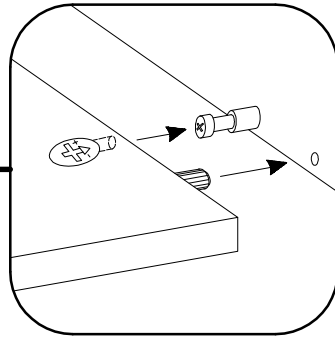
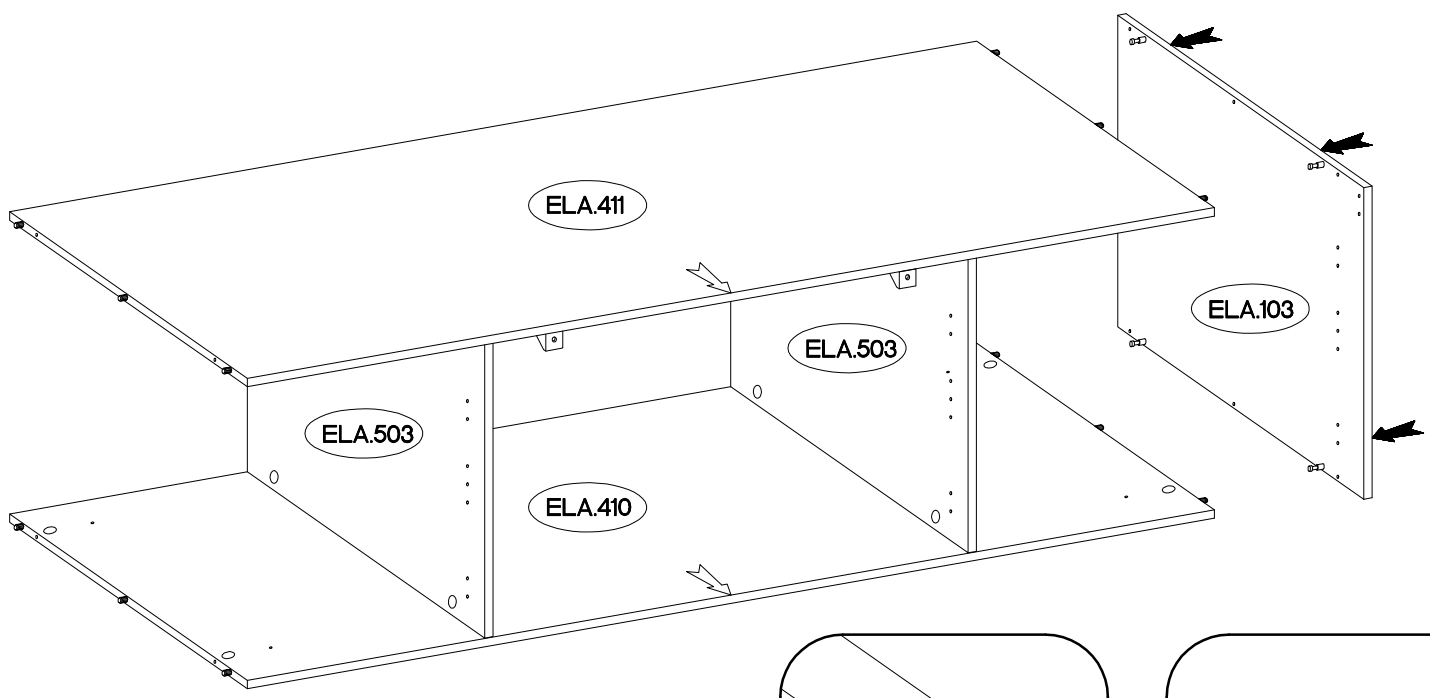
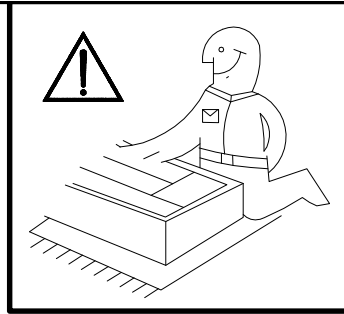
2



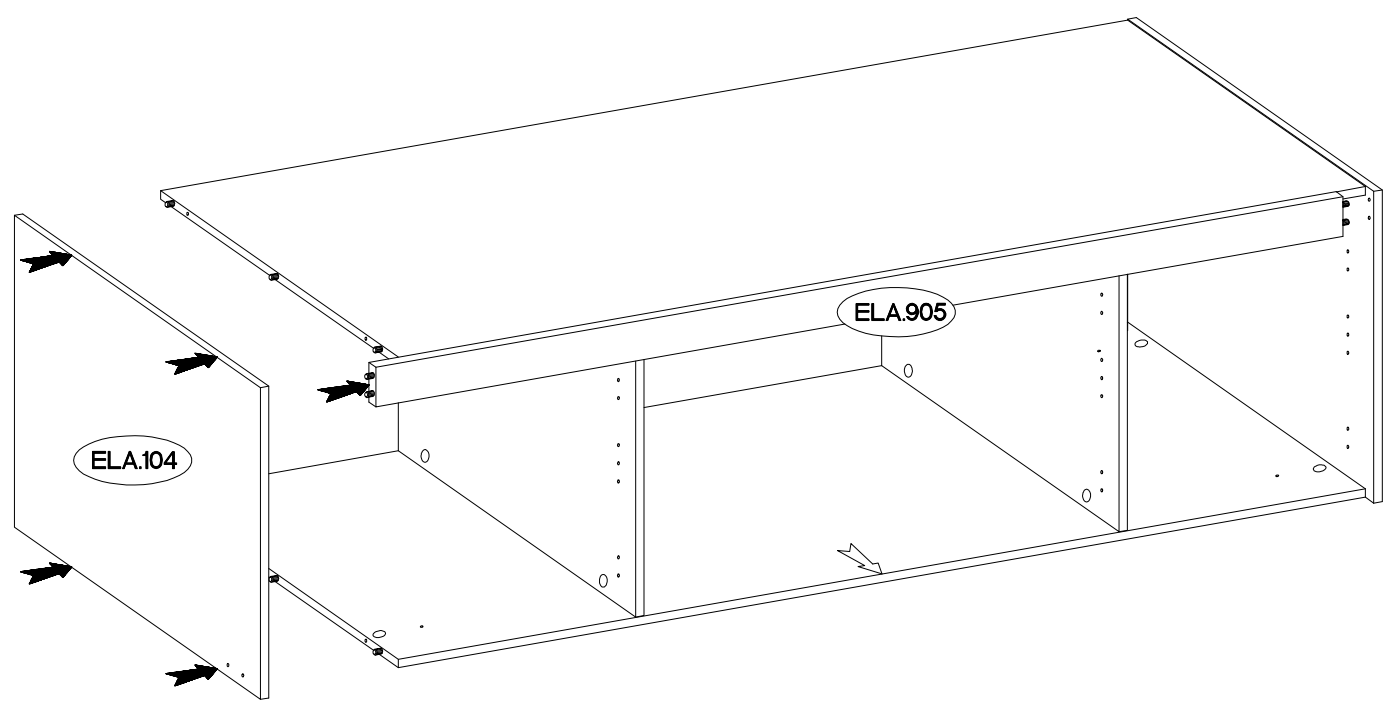
3




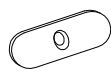
4

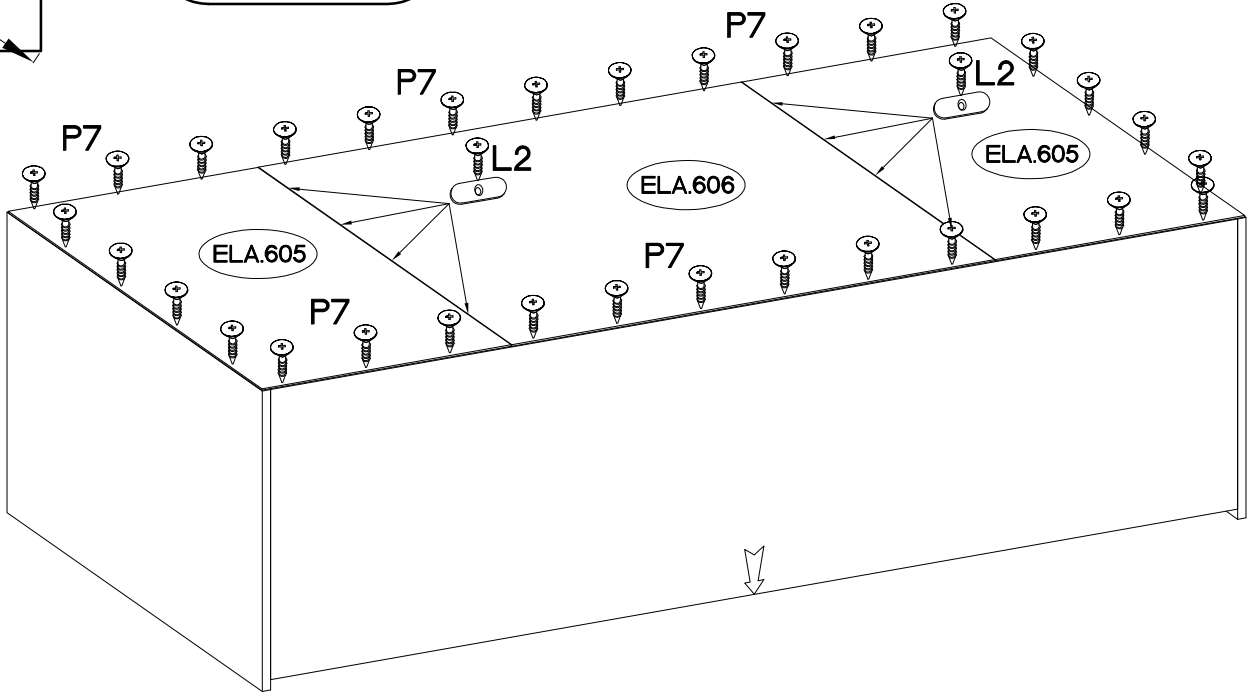
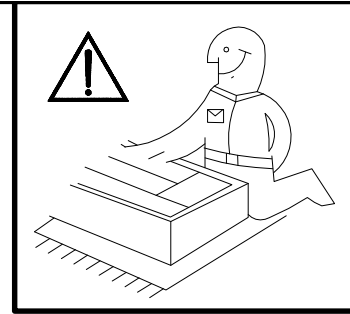
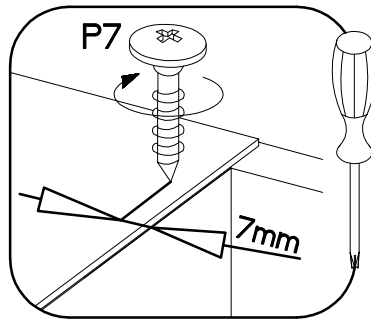
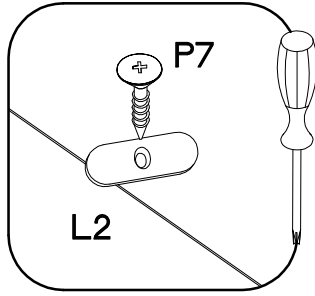
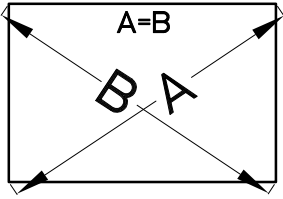


5




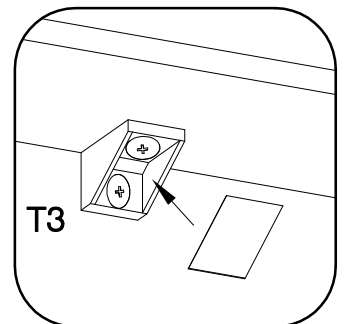
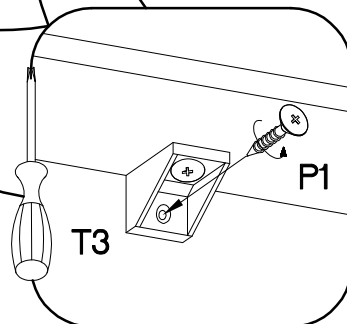
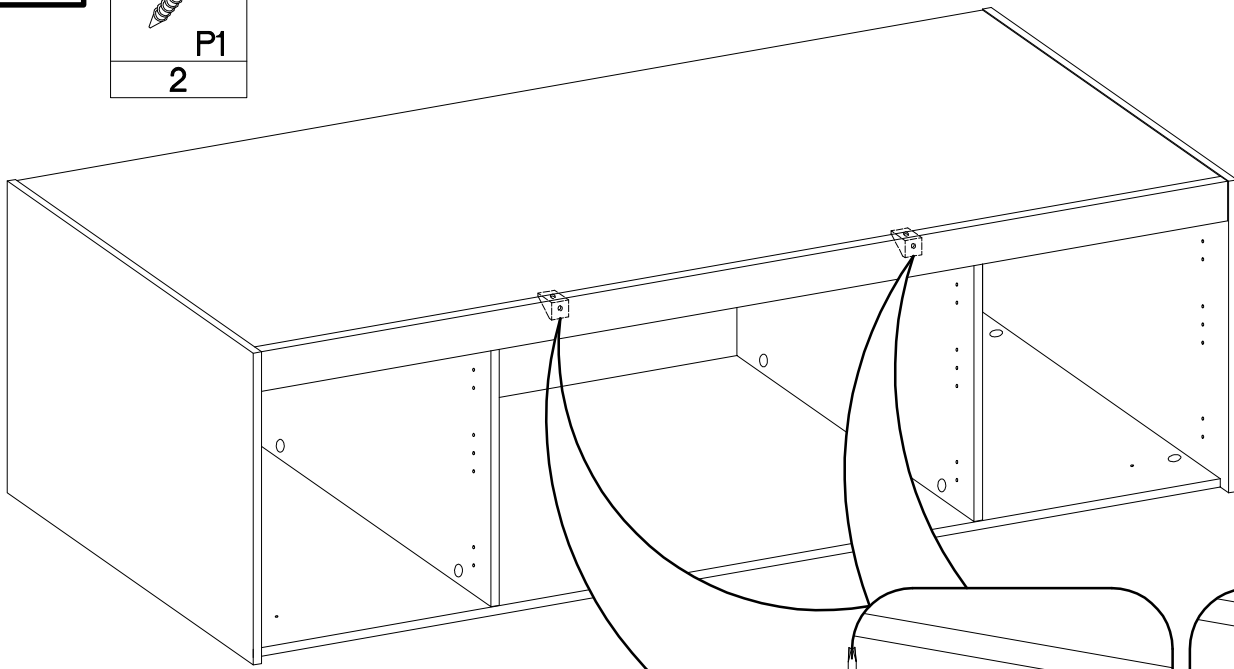
6

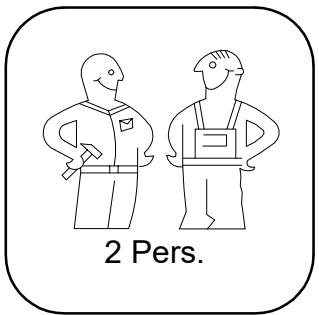
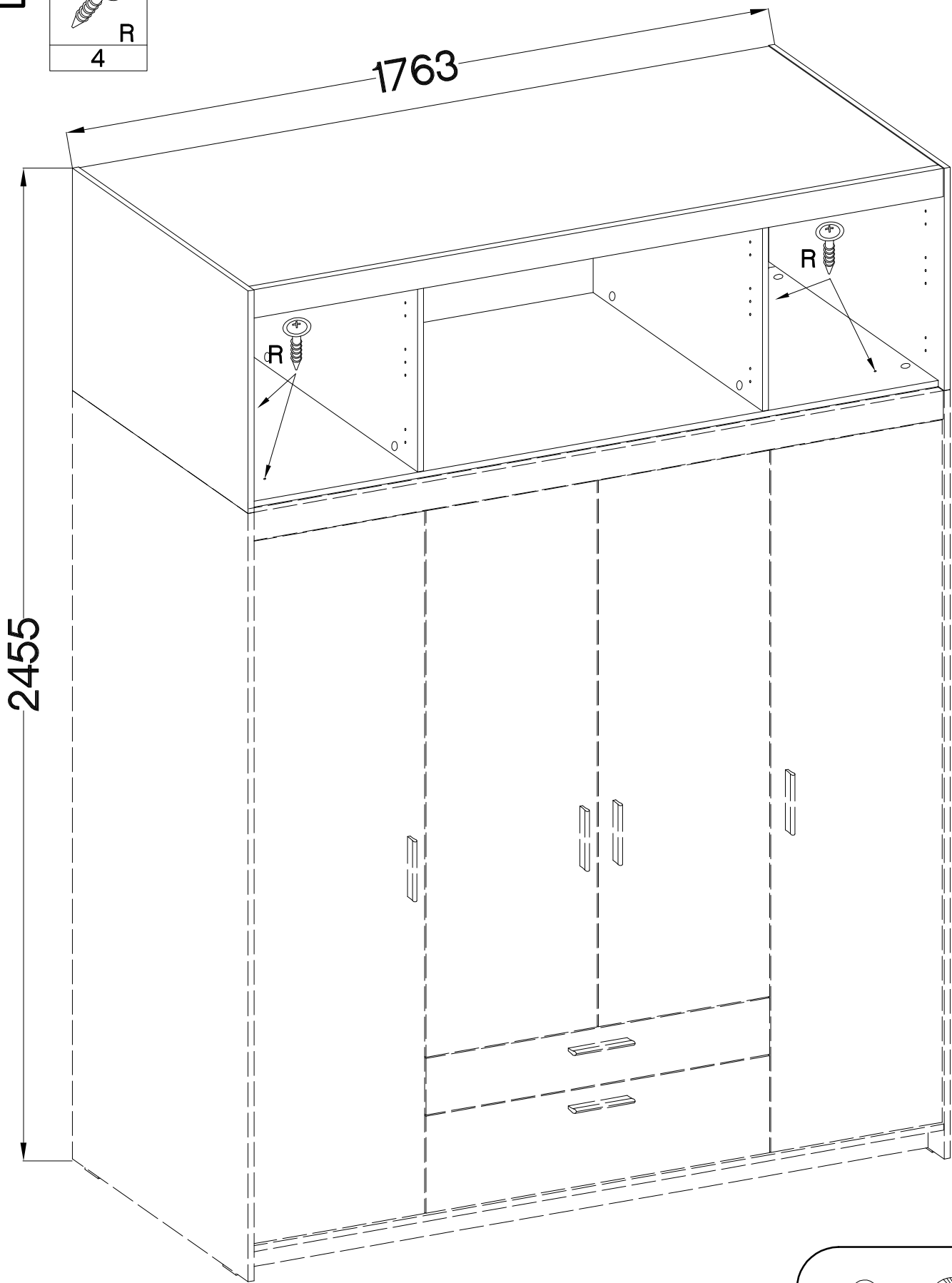
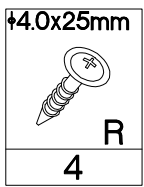
±3.0x20mm	
	
P7	L2
40	6



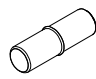

7

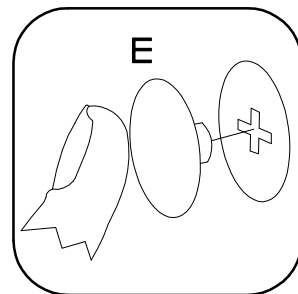
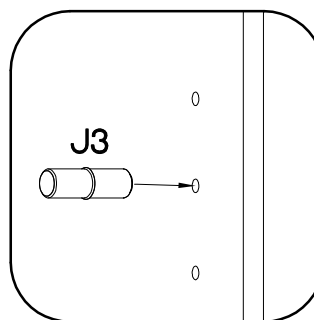
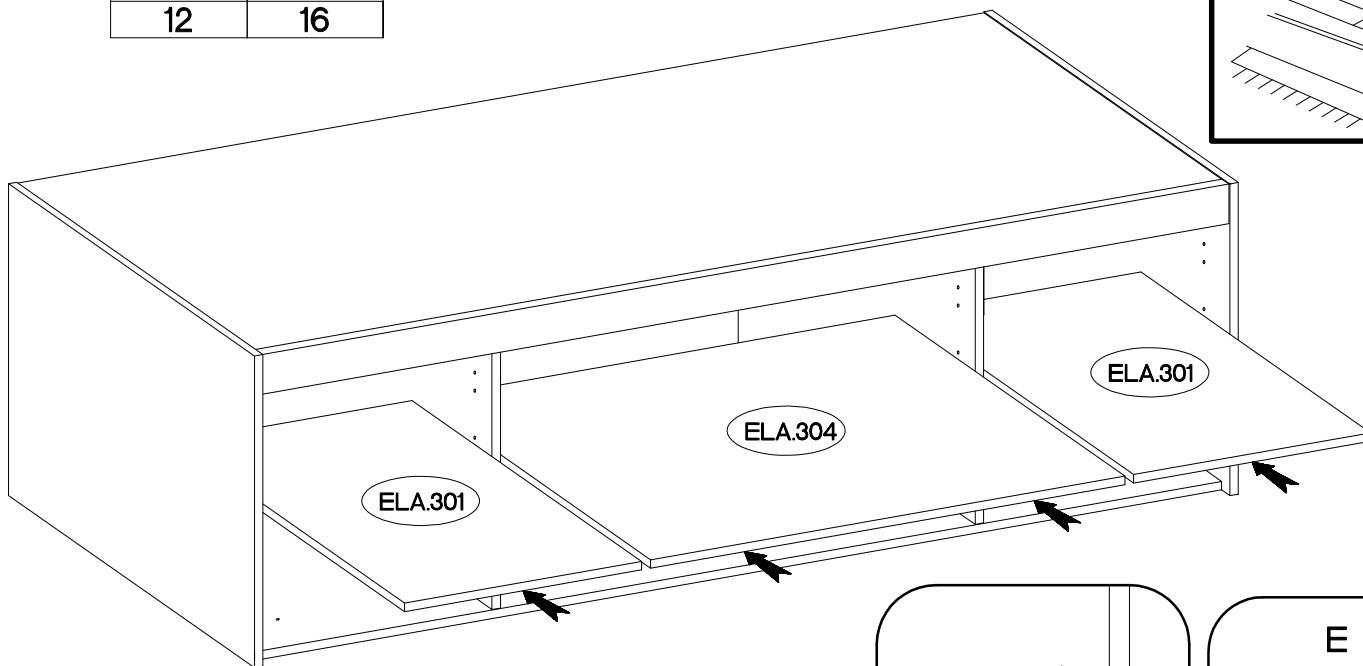
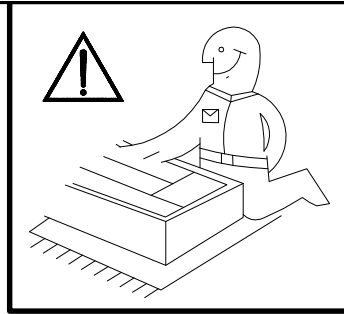
±4.0x16mm	
	
P1	
2	







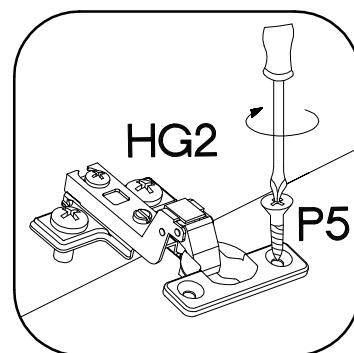
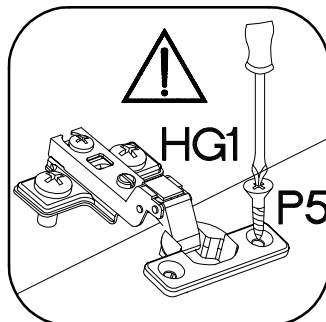
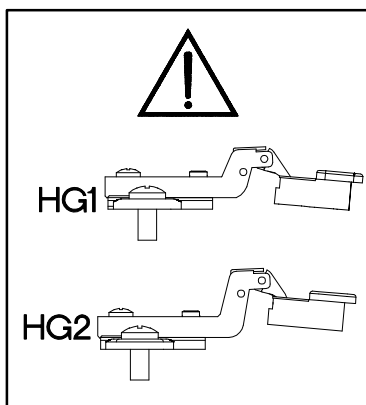
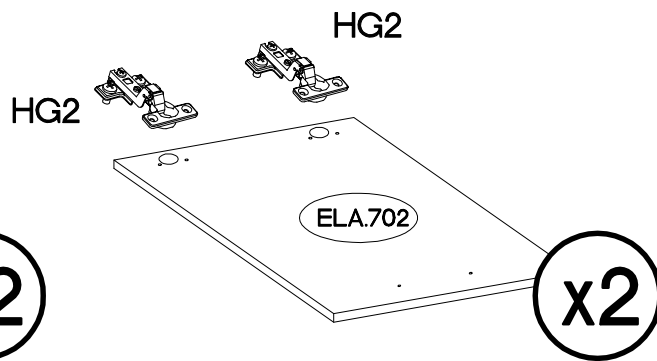
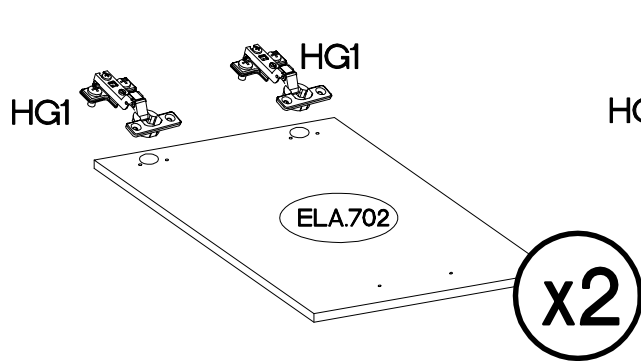
9

$\pm 5/16\text{mm}$ 	
J3 12	E 16

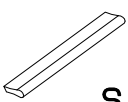



10

$\pm 35/9\text{mm}$ 	$\pm 35/16\text{mm}$ 	$\pm 3.5 \times 13\text{mm}$ 
HG1 4	HG2 4	P5 16





L=128mm	4.0x30mm
	
S	R2
4	8

