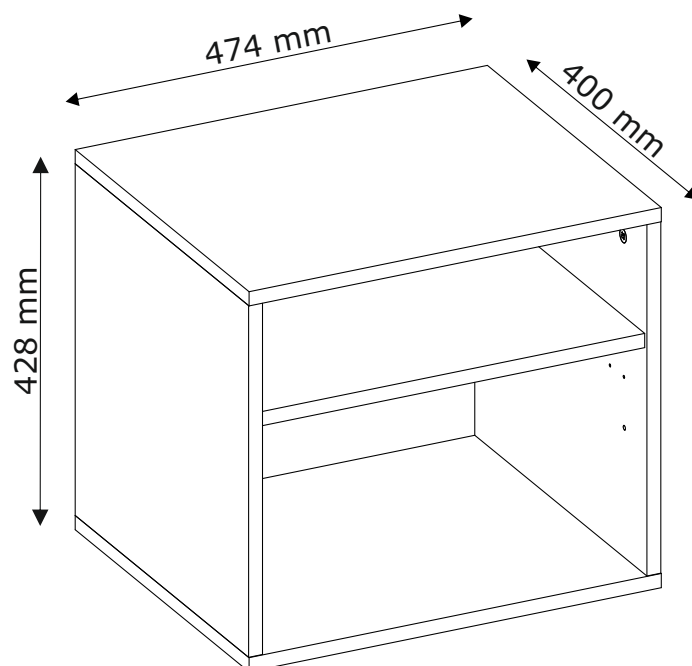
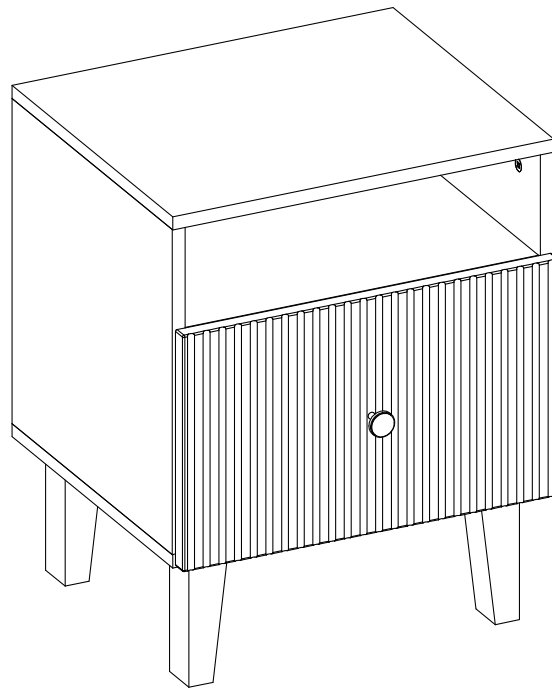
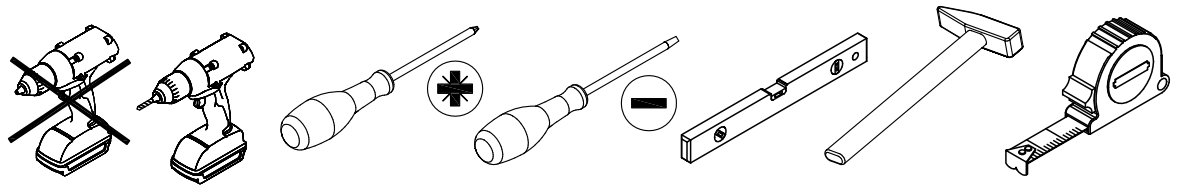


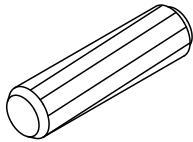
Berlin

Bedside table 1S



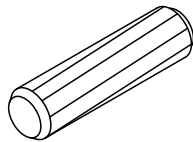


A x 12



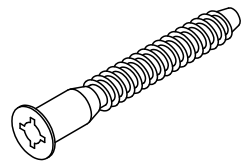
Ø8x35 mm

A1 x 4



Ø6x30 mm

B x 6



Ø7x50 mm

C x 8



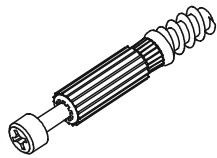
Ø15x12 mm

C1 x 2



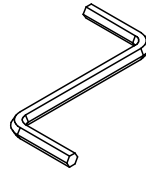
Ø15x10 mm

D x 10



Ø5x44 mm

E x 1



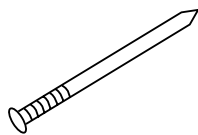
4 mm

F x 6



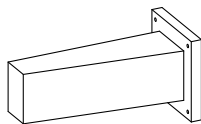
20 mm

G x 20

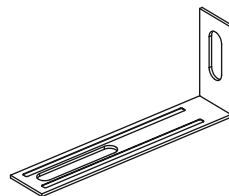


1,2x25 mm

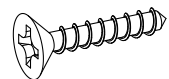
H x 4



I x 1

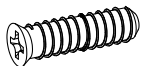


J x 1



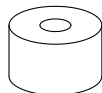
3,5x16 mm

K x 4



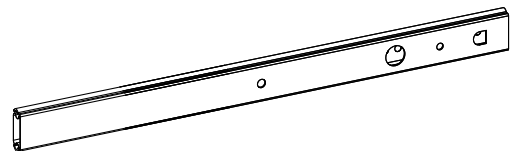
Ø6,3x20 mm

L x 4



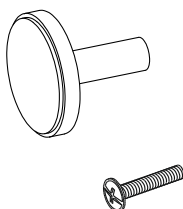
9 mm

N x 2

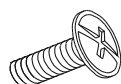


310 mm

P x 1

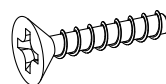


Q x 2

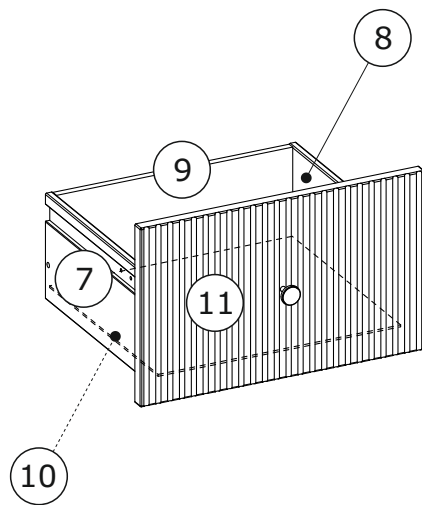
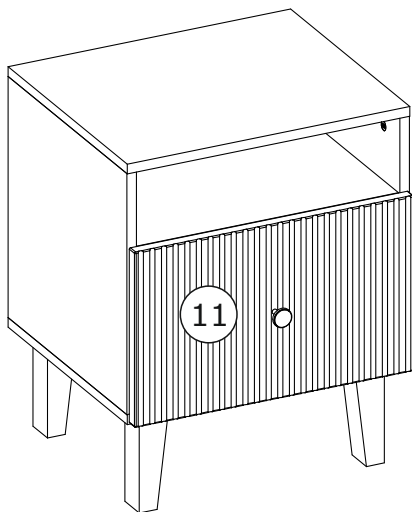
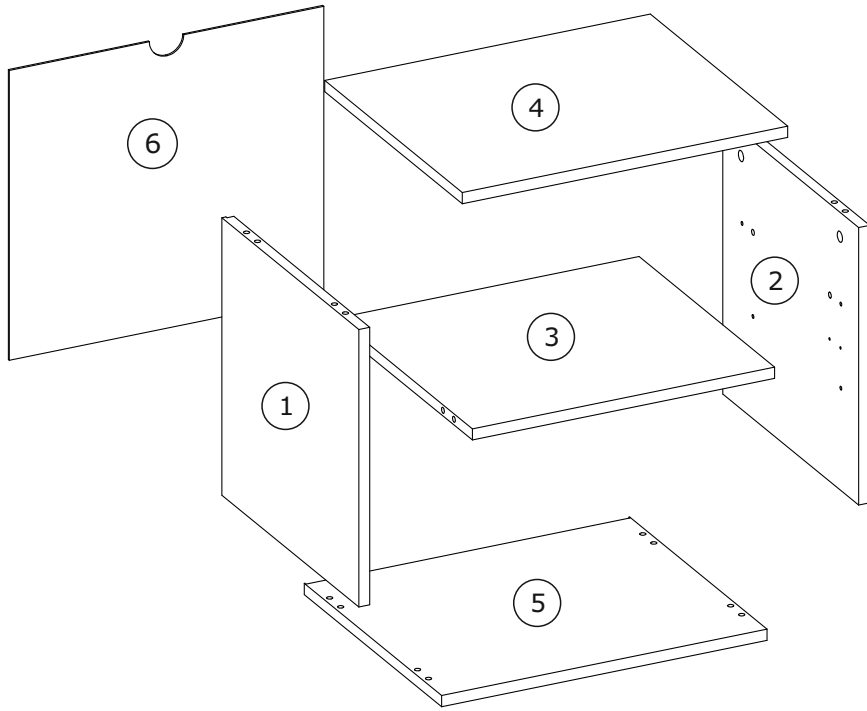


4x9 mm

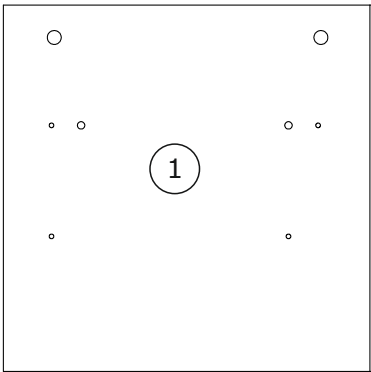
T x 16



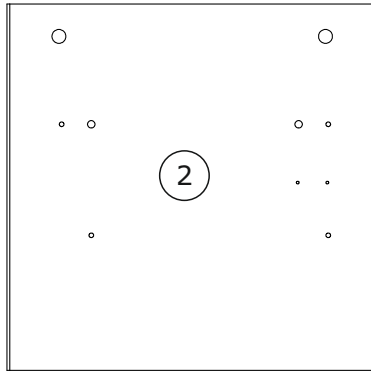
4x20 mm



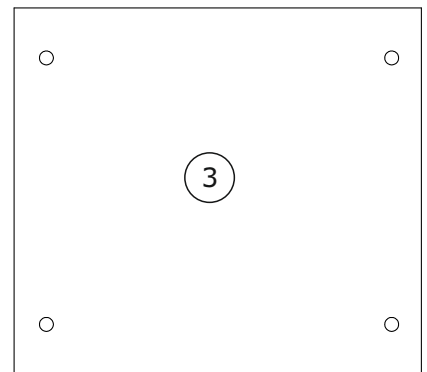
BOX 1/1:



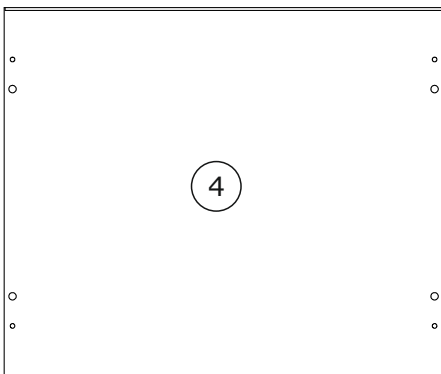
396x399x16 mm



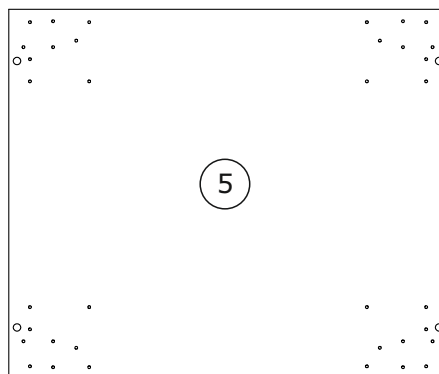
396x399x16 mm



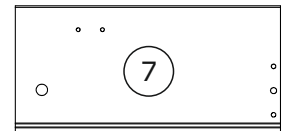
440x395x16 mm



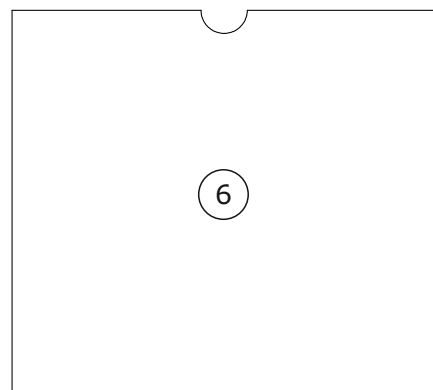
474x400x16 mm



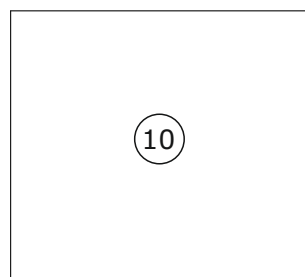
474x400x16 mm



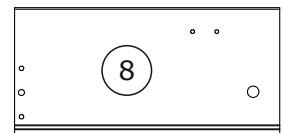
350x170x12 mm



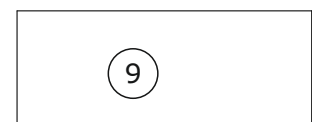
414x458x3 mm



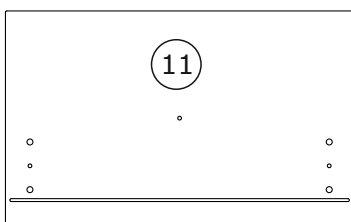
399x356x3 mm



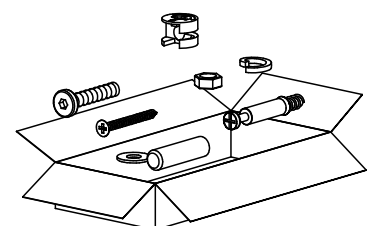
350x170x12 mm



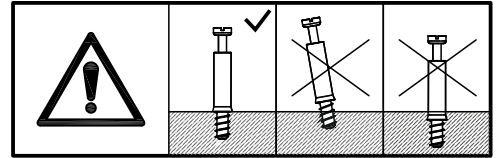
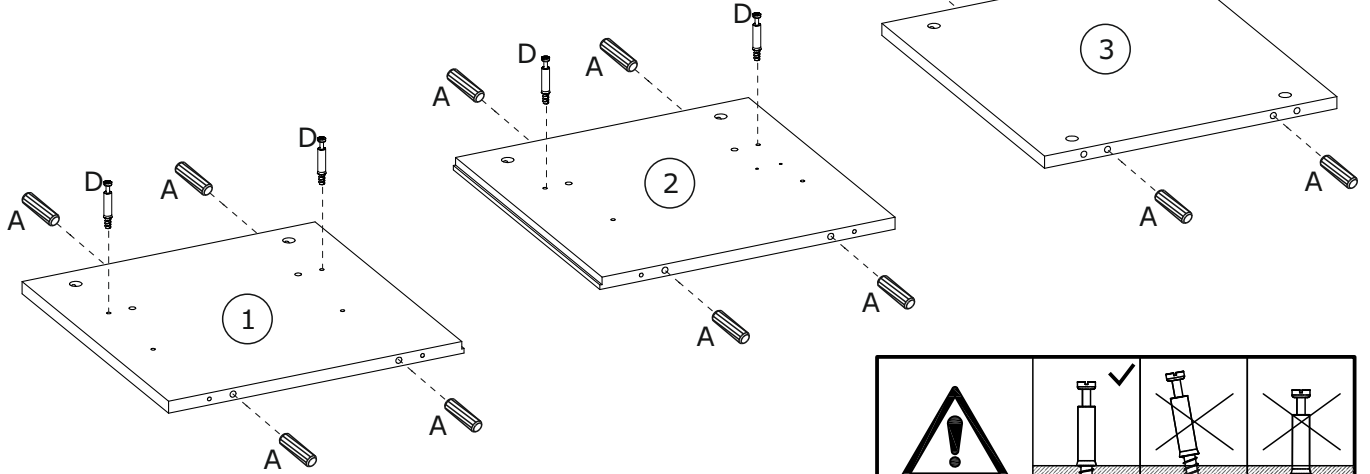
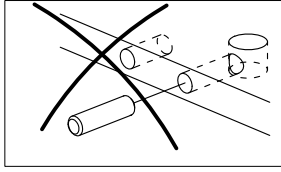
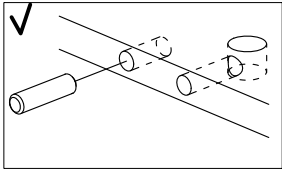
389x155x12 mm



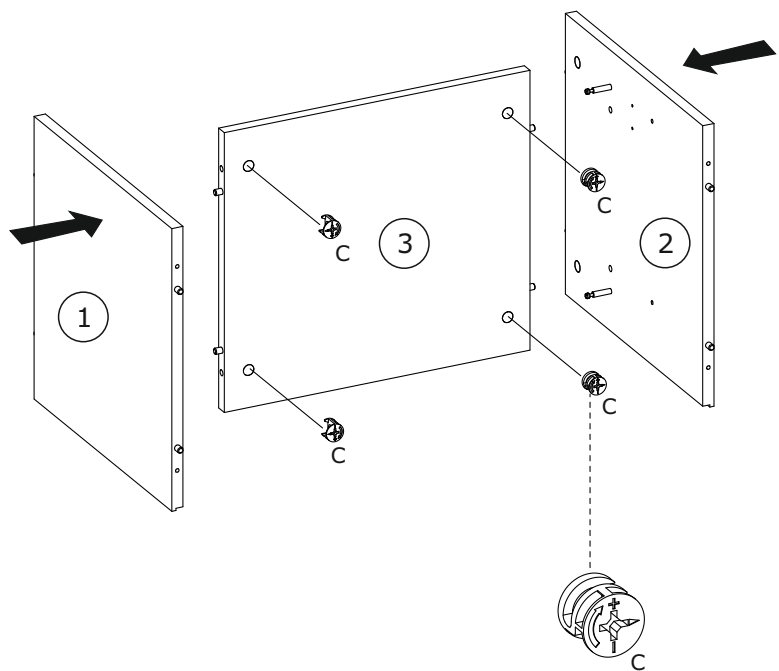
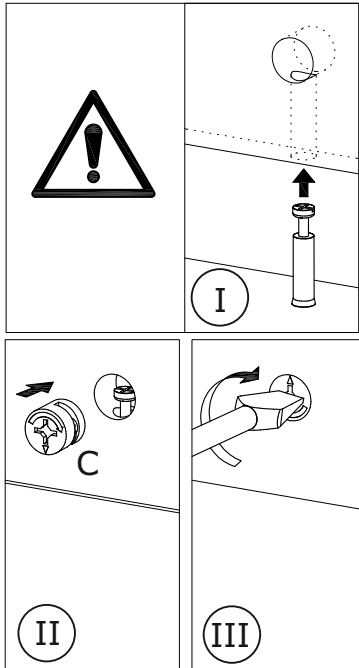
288x468x18 mm



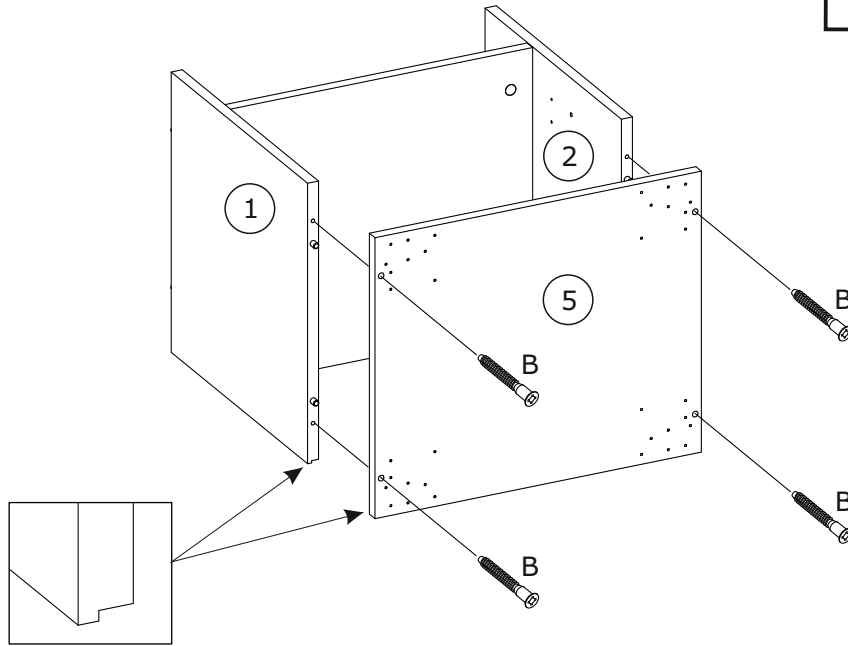
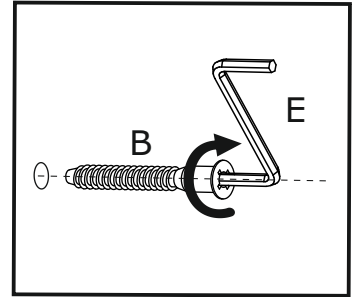
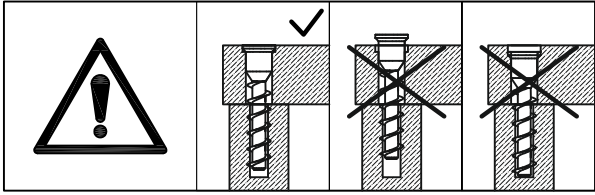
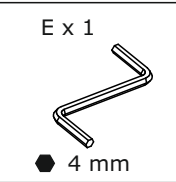
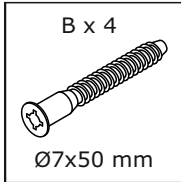
1



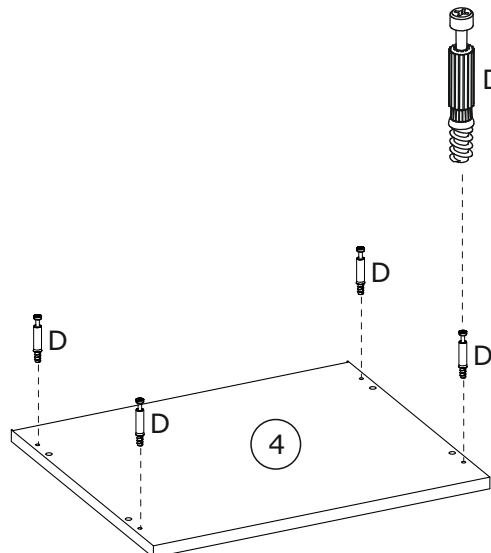
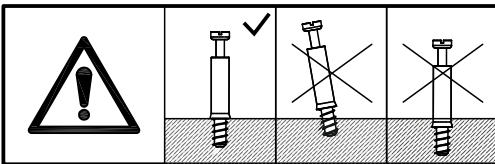
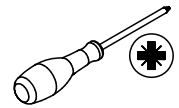
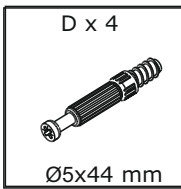
2





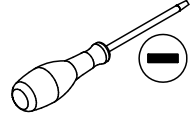
3

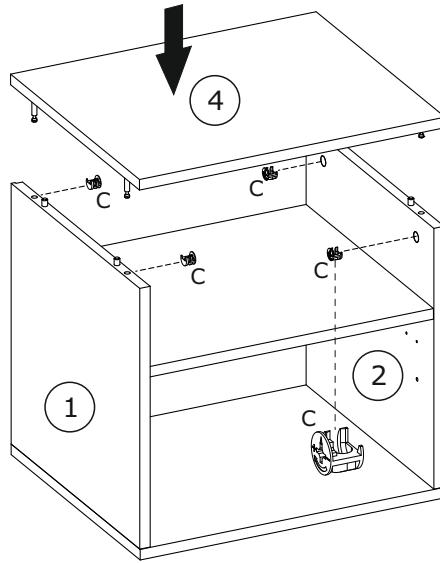


4


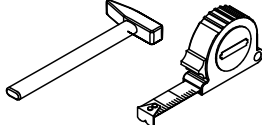


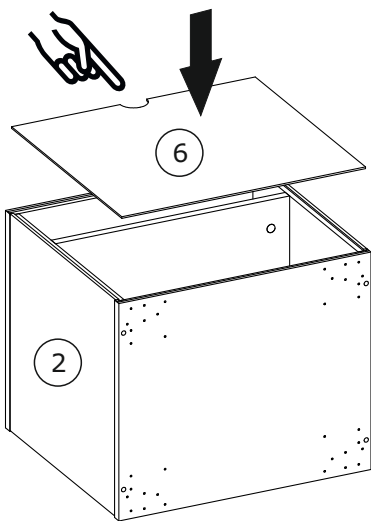
5

C x 4  Ø15x12 mm	F x 4  20 mm	
---	---	---

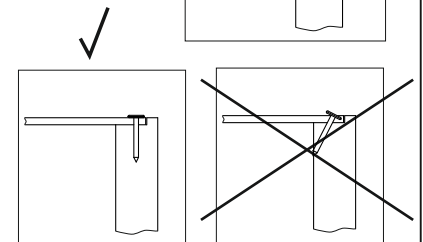
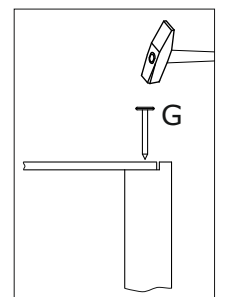
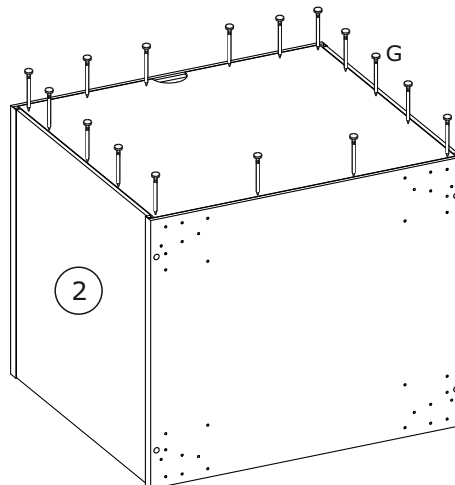
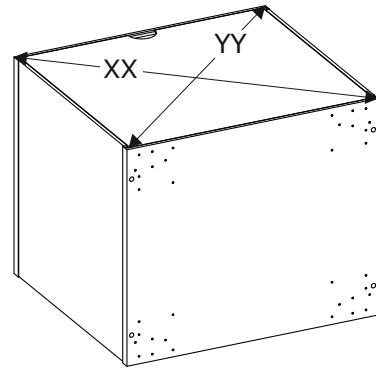


6

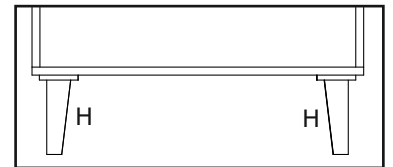
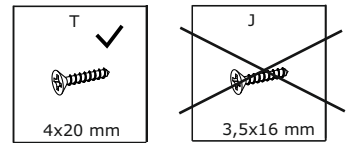
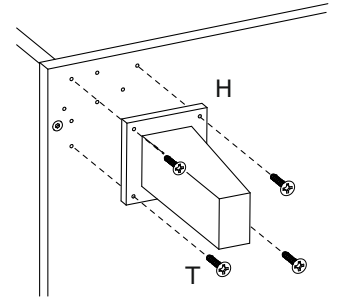
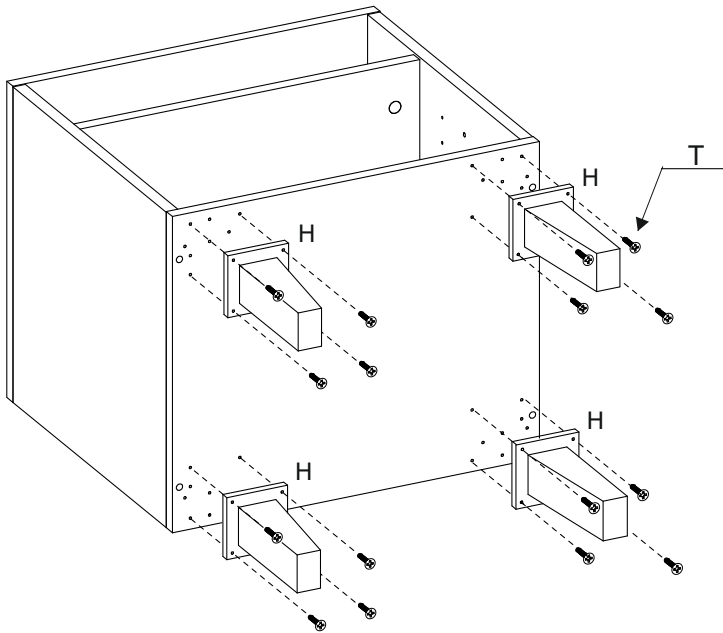
G x 16  1.2x25 mm	
---	--



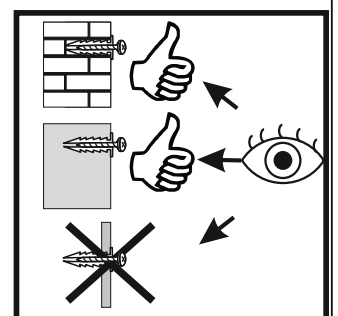
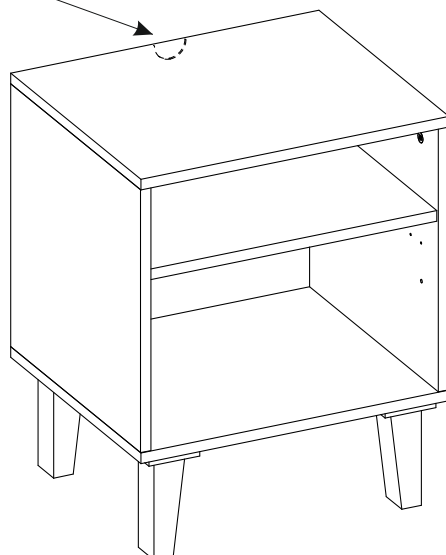
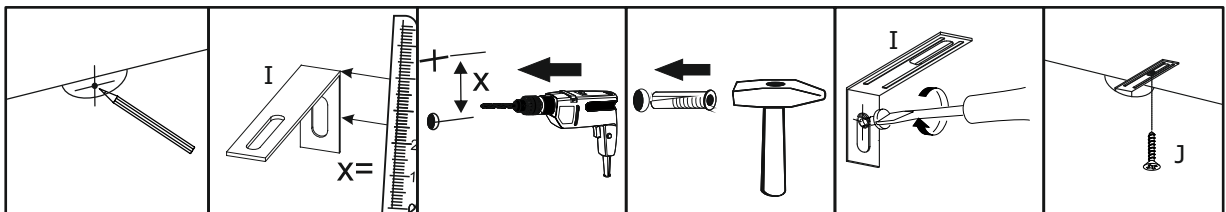
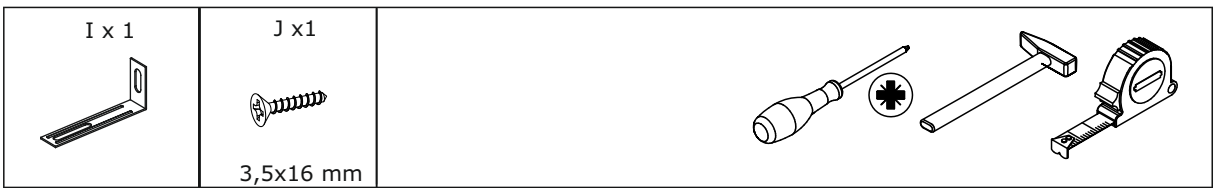
$XX = YY \equiv 90^\circ$



7



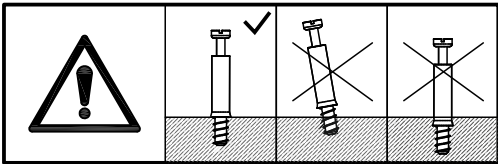
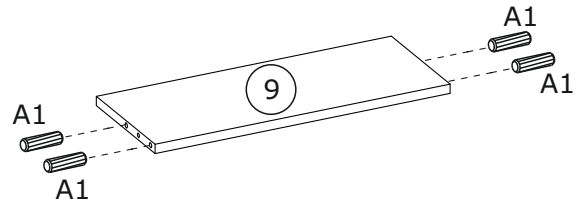
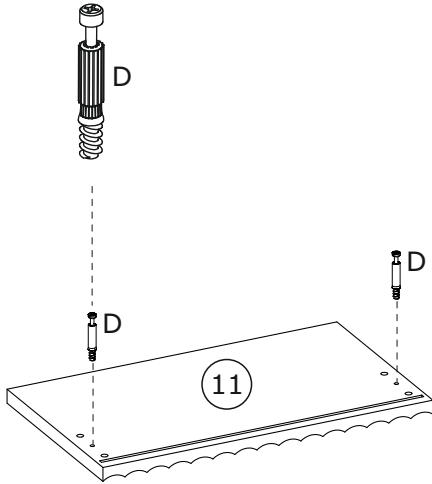
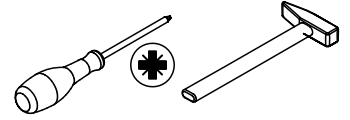
8



9

D x 2
Ø5x44 mm

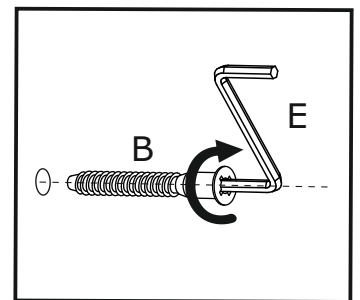
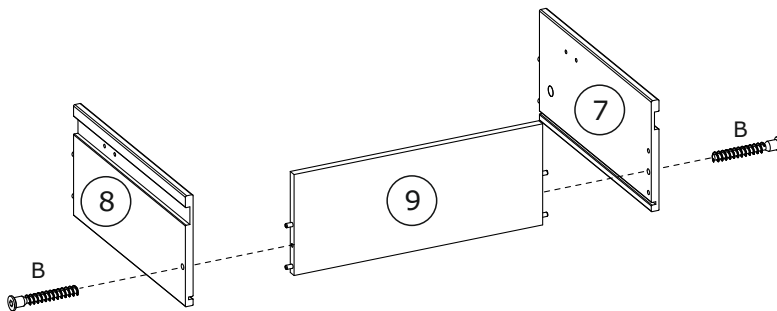
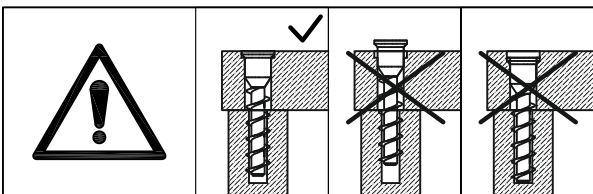
A1 x 4
Ø6x30 mm



10

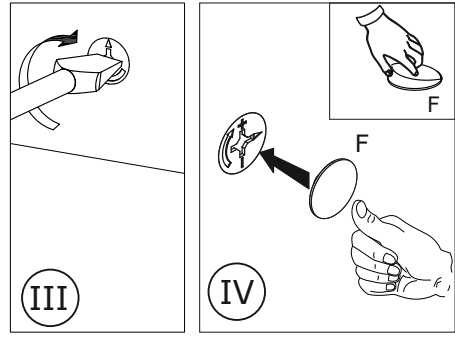
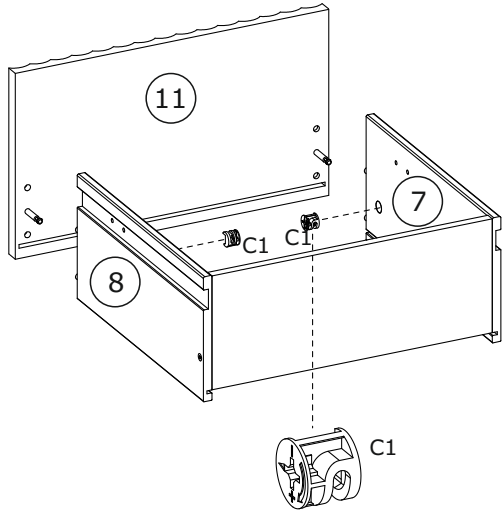
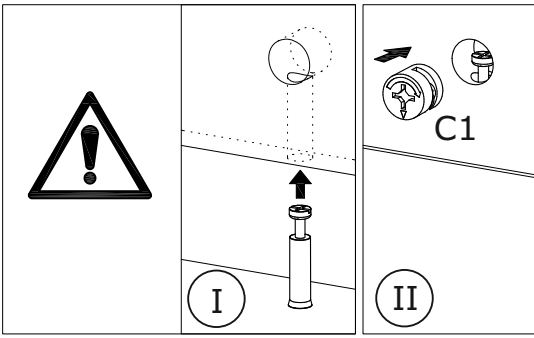
B x 2
Ø7x50 mm

E x 1
4 mm

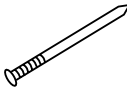
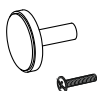
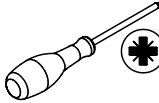
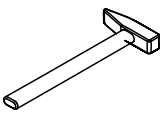


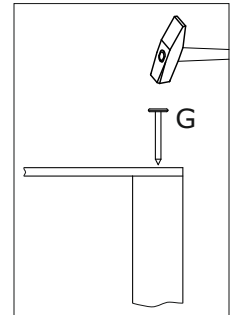
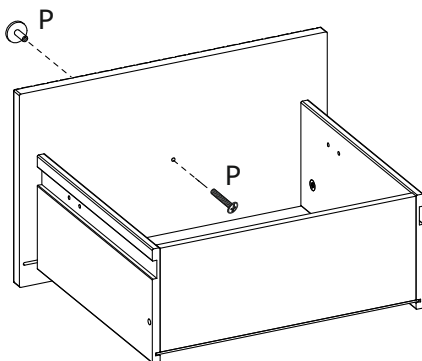
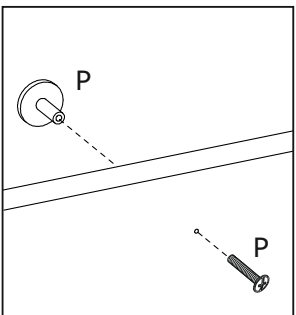
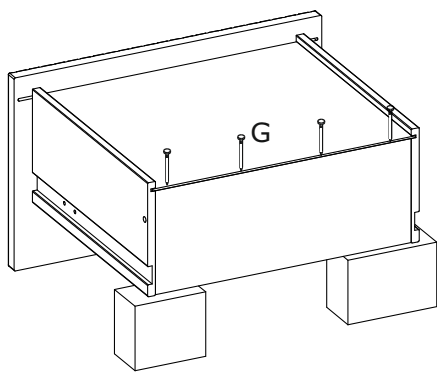
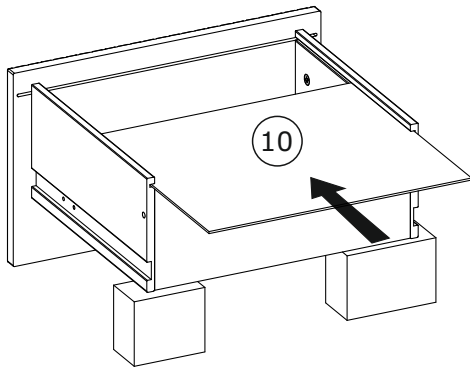
11

C1 x 2  Ø15x10 mm	F x 2  20 mm	
--	---	--



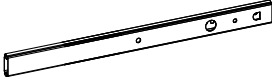
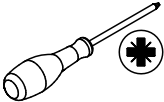


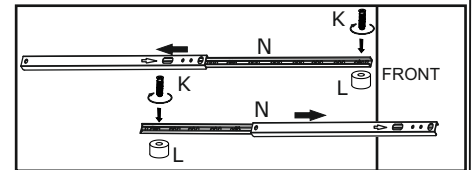
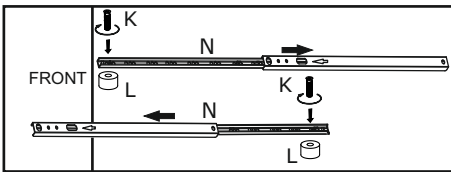
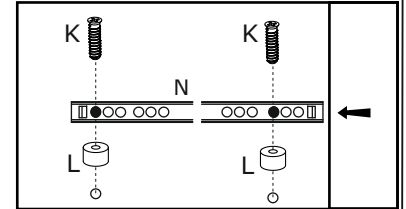
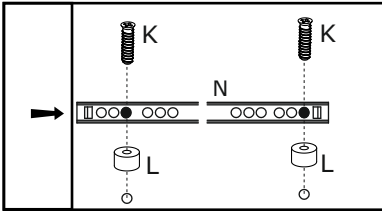
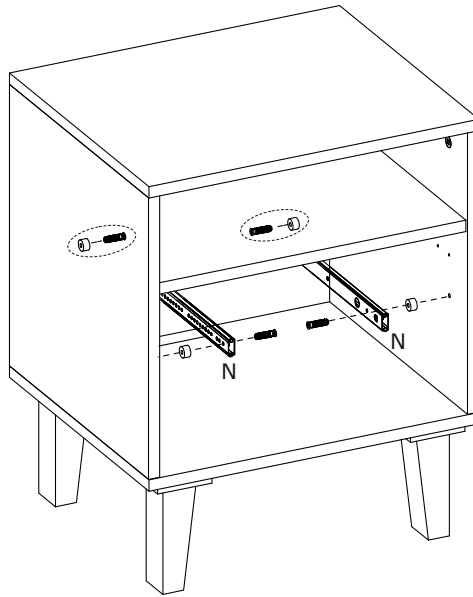
12

G x 4  1.2x25 mm	P x 1 	 
---	--	---



13

<p>K x 4</p>  <p>Ø6,3x20 mm</p>	<p>L x 4</p>  <p>8 mm</p>	<p>N x 2</p>  <p>310 mm</p>	
--	--	--	---



14

<p>Q x 2</p>  <p>4x9 mm</p>	
--	---

