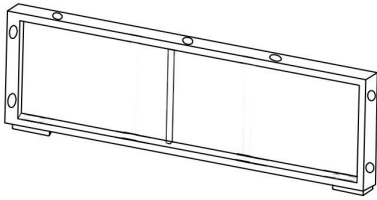
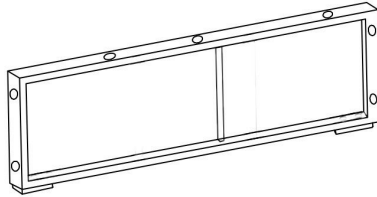


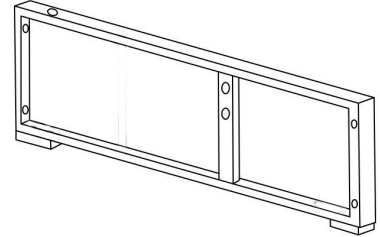
Parts List of Chaise Lounge



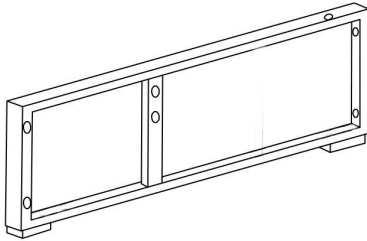
A 1PC



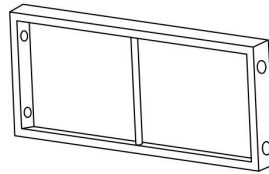
B 1PC



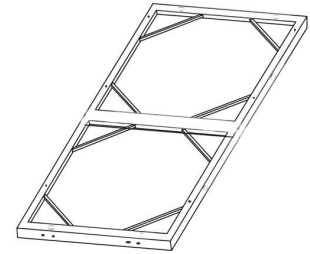
C 1PC



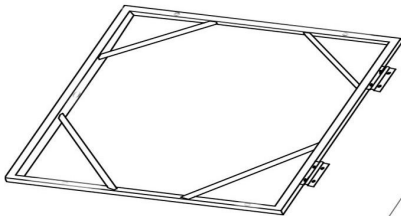
D 1PC



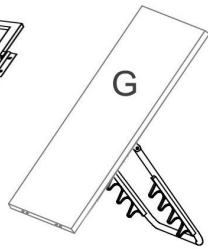
E 2PCS



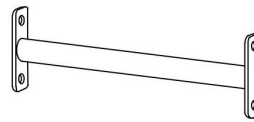
F 1PC



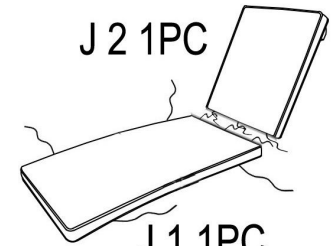
G 1PC



H 1PC

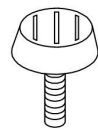
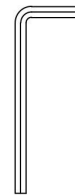
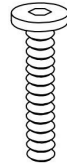
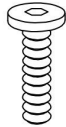
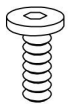


I 1PC



J 2 1PC

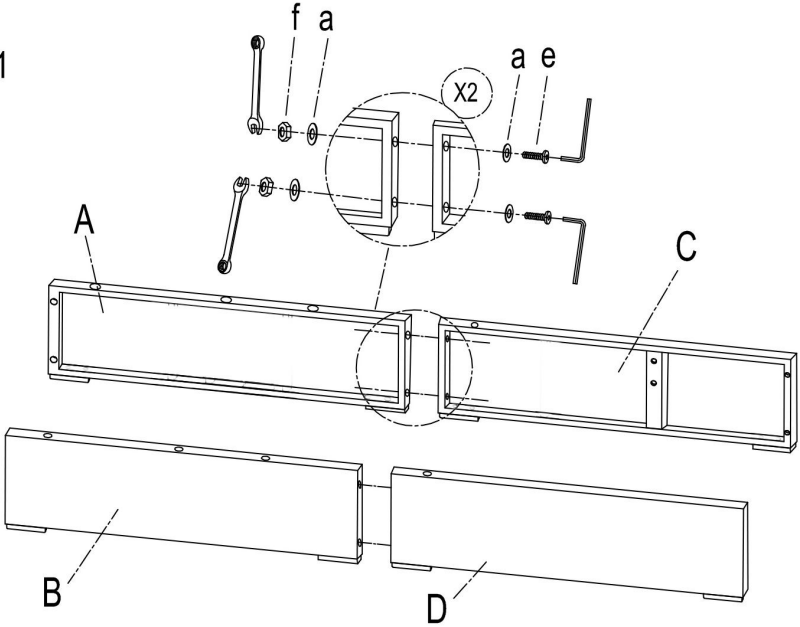
J1 1PC



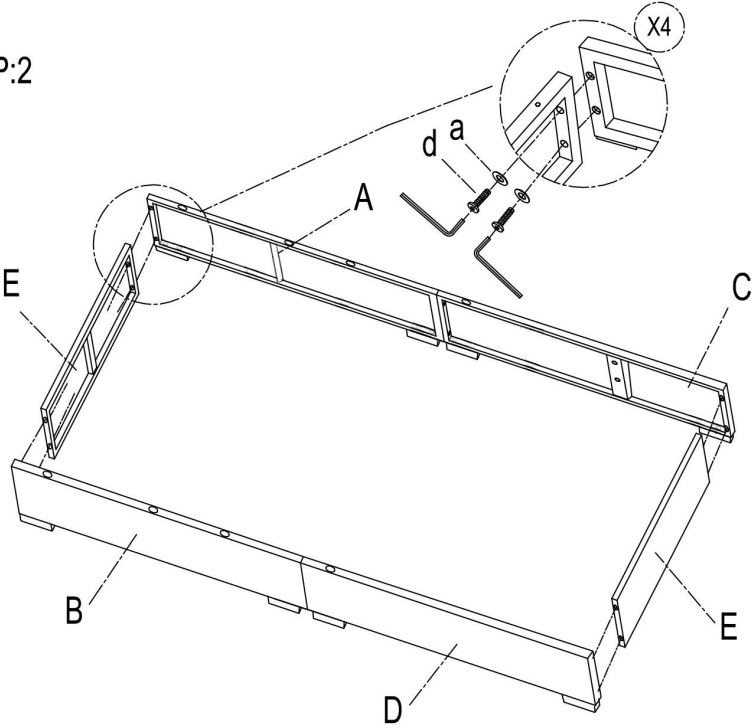
a Ø6 b M6*15 c M6*10 d M6*35 e M6*55 f M6 Allen Key Spanner Leveling Foot
 30pcs+1pc 4pcs+1pc 4pcs+1pc 18pcs+1pc 4pcs+1pc 6pcs+1pc 1pc 1pc 8pcs

Assembly Steps For Chaise Lounge

STEP:1



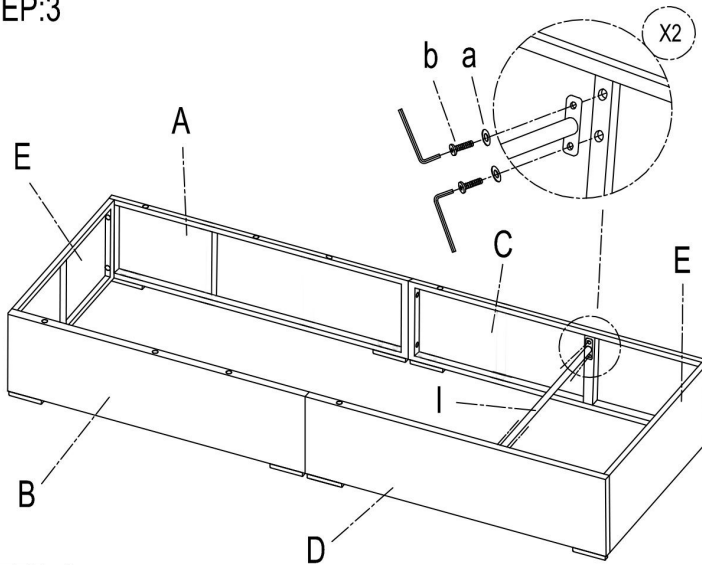
STEP:2



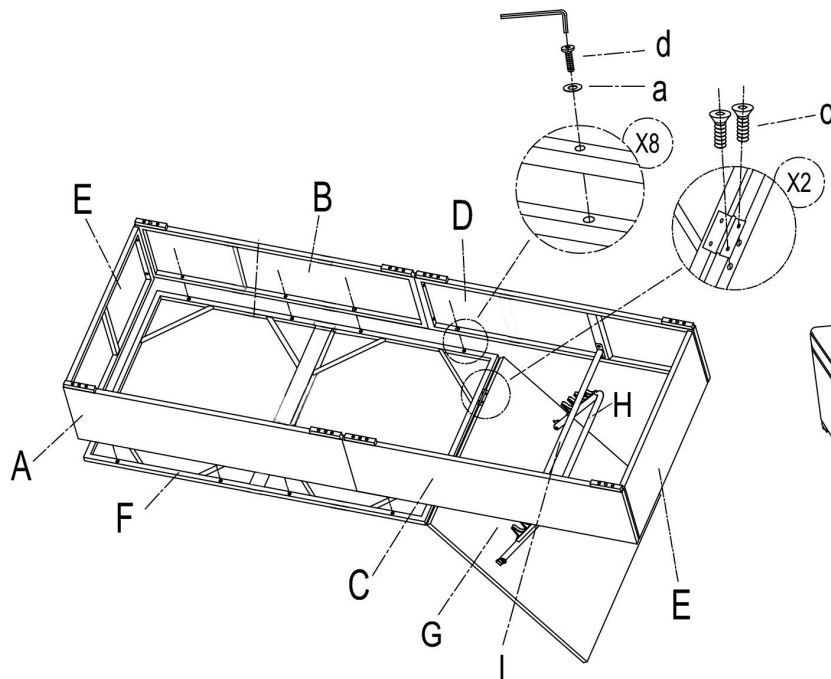
Note: Please DO NOT fix screws tightly before all screws and holes connected.
Keeping all screws half-tightened will make assembling easier. Tks.
Please email us with pictures if you need any help during assembling. Thanks!

Assembly Steps For Chaise Lounge

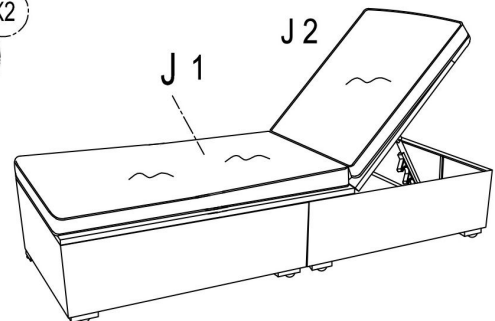
STEP:3



STEP:4



STEP:5



Note: Please DO NOT fix screws tightly before all screws and holes connected.
Keeping all screws half-tightened will make assembling easier. Tks.
Please email us with pictures if you need any help during assembling. Thanks!