



Use Only/Utilizzare:



Charcoal/Carbonella



Wood/Legna

Sarom Code/Codice SAROM: **400033**

EAN Code/Codice EAN: **8023034043524**

BBQ Size/Ingombro BBQ: **1250x640x2413** mm

Net Weight/Peso Netto: **670** Kg

Gross Weight/Peso Lordo: **691** Kg

Envelope/Imballo: **1200x800x1780** mm

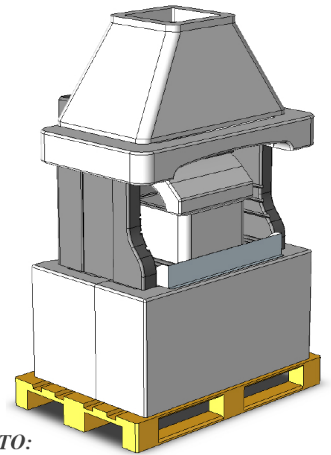
Pallet: **1200x800** mm

Versions/Versioni Montate:

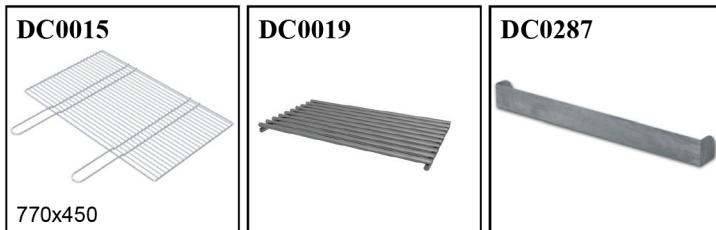
B BIANCO Code: **400033B** - EAN: **8023034043531**
Dim.: **1250x800x2295** - Pall.: **1200x800**
*comignolo smontato

N NATURALE Code: ...N - EAN: ...
Dim.: ... - Pall.:

Details Envelope/Dettaglio imballo:



COMPONENTS INCLUDED/COMPONENTI INCLUSI:



EXPLODED VIEW/ESPLOSO:

FRONT VIEW - SIDE VIEW / VISTA FRONTE, LATO:

