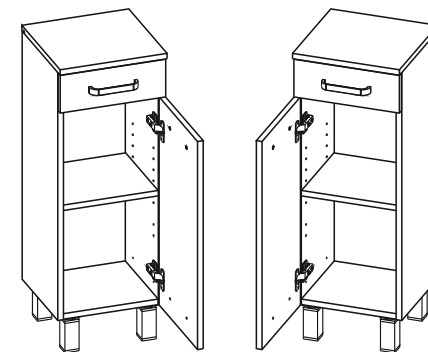
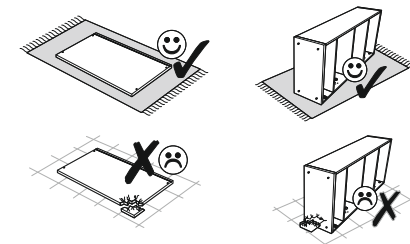
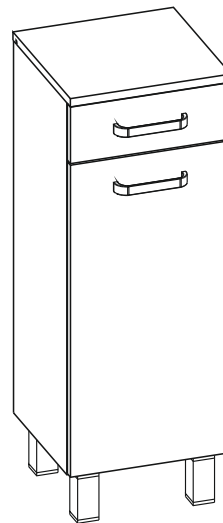















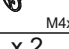
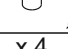


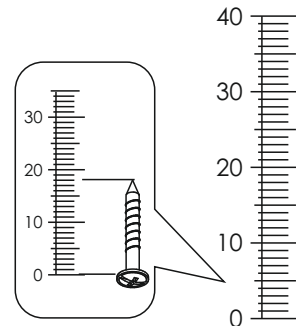
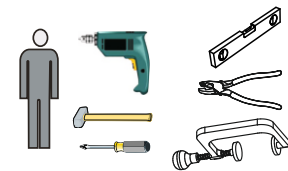


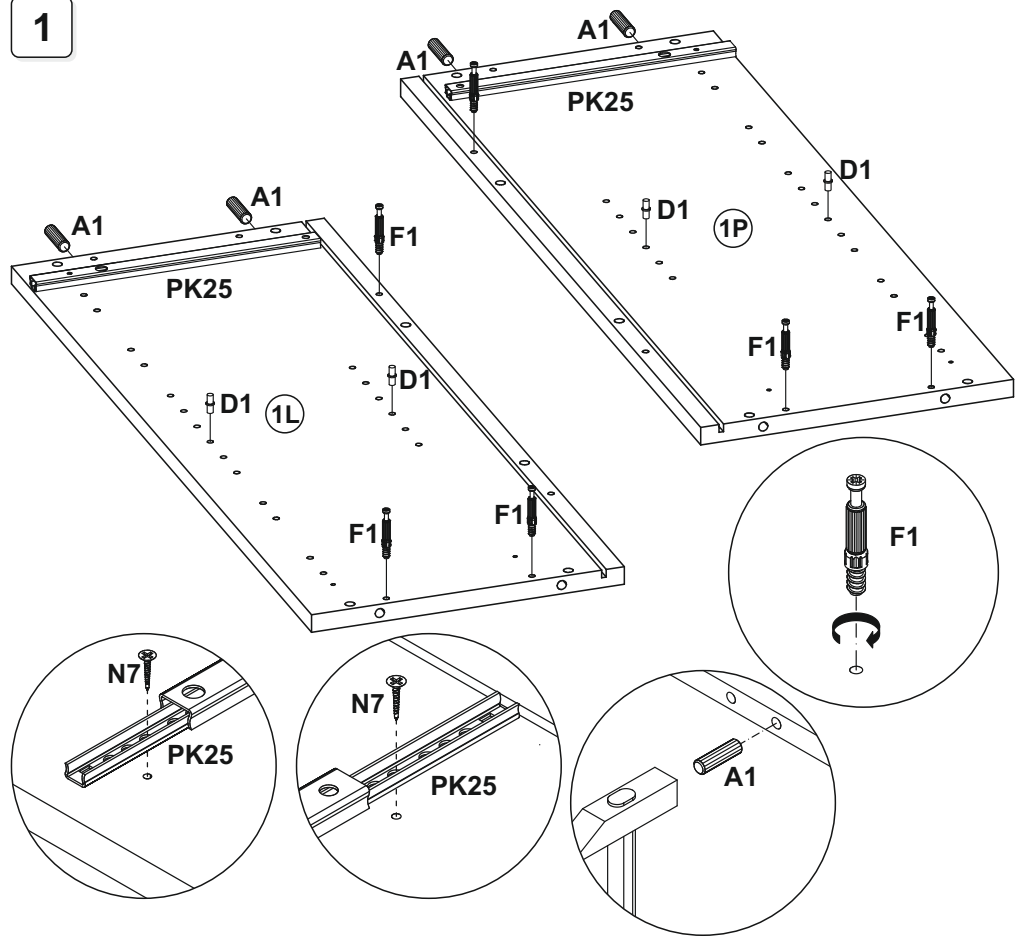
30 1D-1S



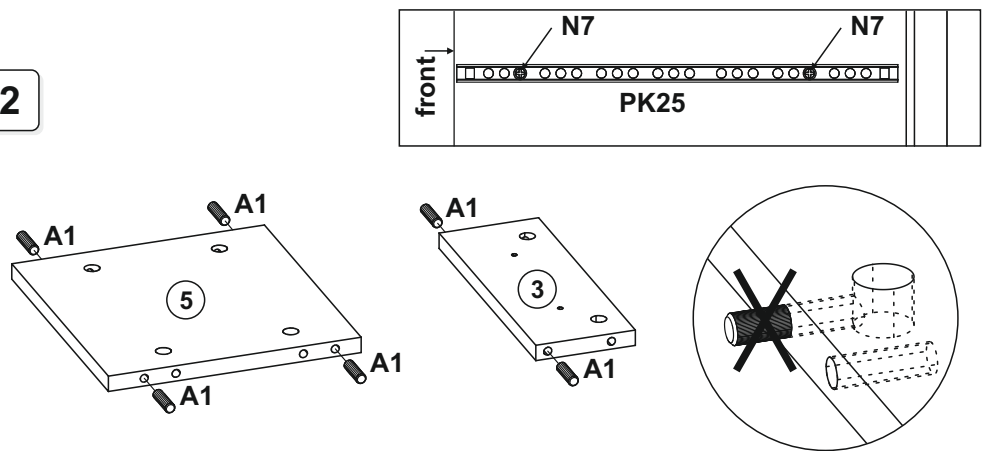
<b>BS2</b>  x 2	<b>BSZ0</b>  x 2	<b>A1</b>  x 10	<b>F1</b>  x 6	<b>E1</b>  x 6
<b>D1</b>  x 4	<b>G</b>  x 4	<b>N7</b>  x 16	<b>O13</b>  x 4	<b>F8</b>  ~ 4
<b>R4</b>  x 5	<b>P0</b>  x 32	<b>H1</b>  x 2	<b>K1</b>  x 4	<b>N7</b>  x 4
<b>K10</b>  x 2	<b>P1</b>  x 4	<b>L</b>  x 1	<b>PK25</b>  x 2	



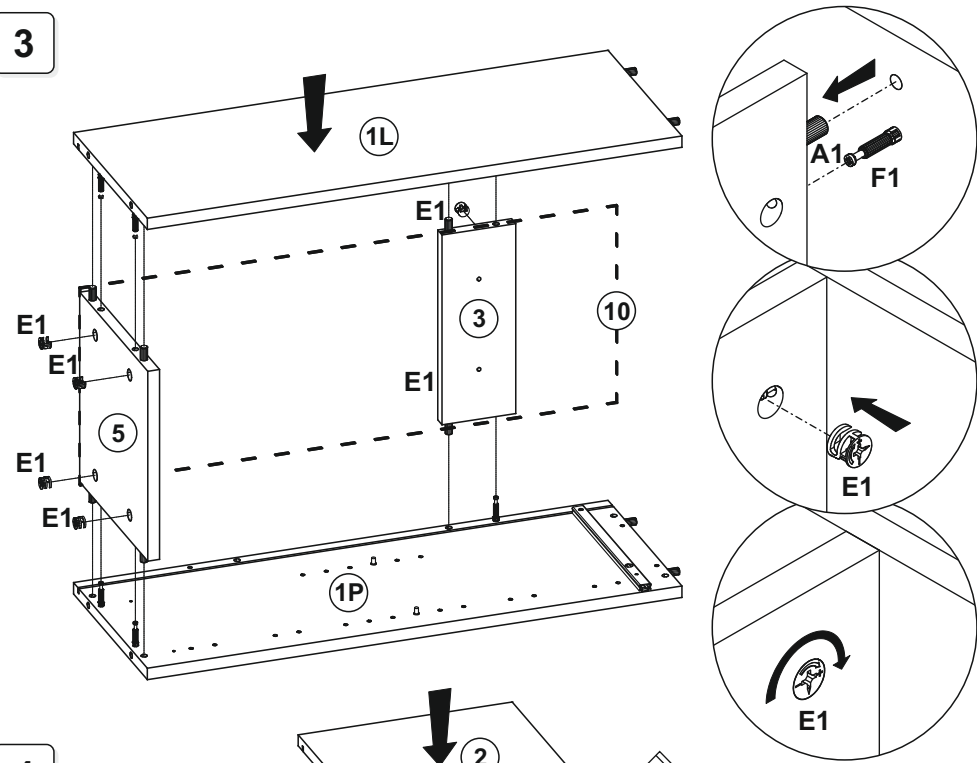
1



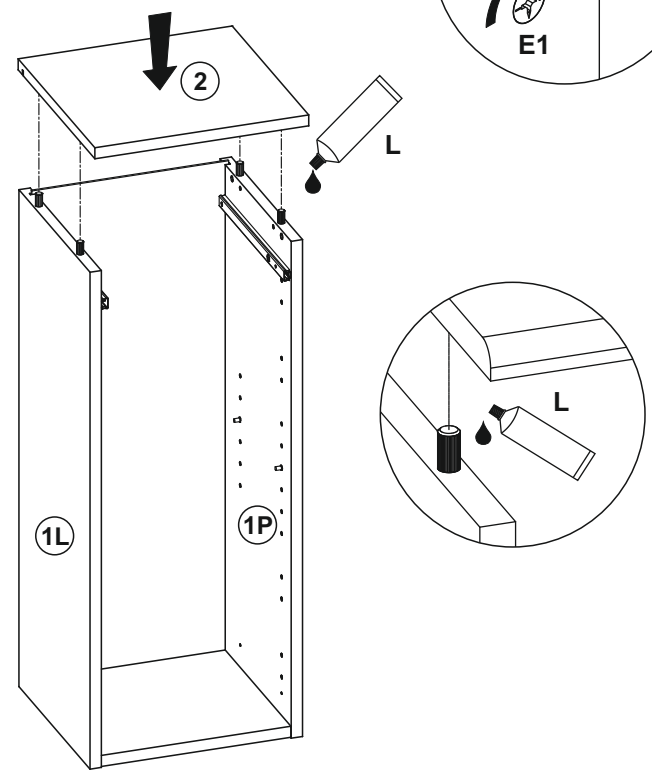
2



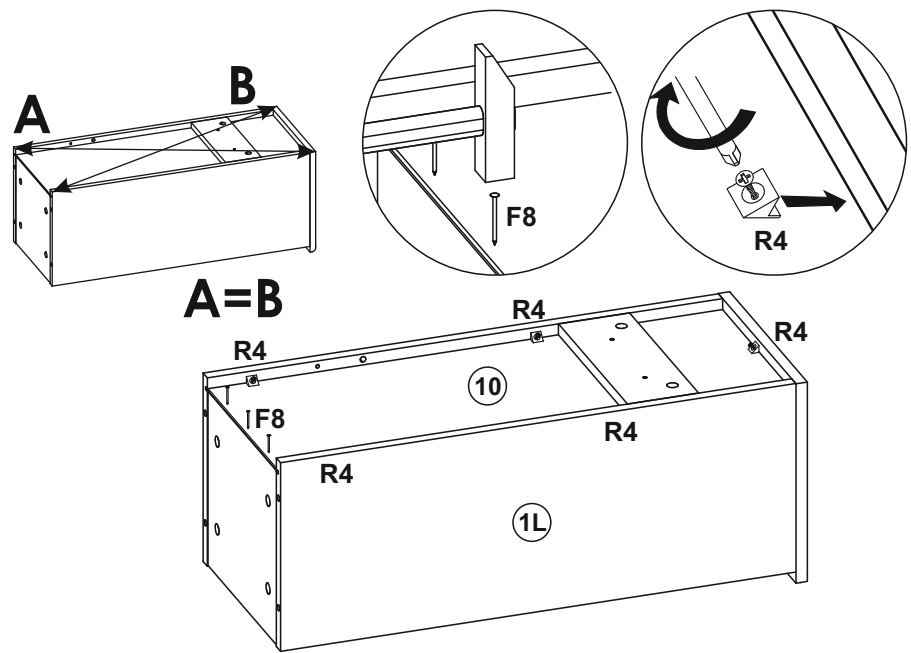
3



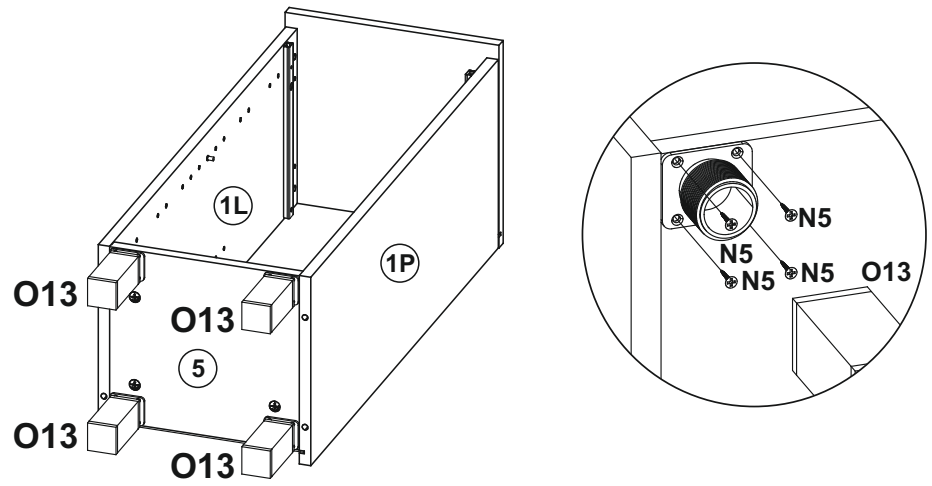
4



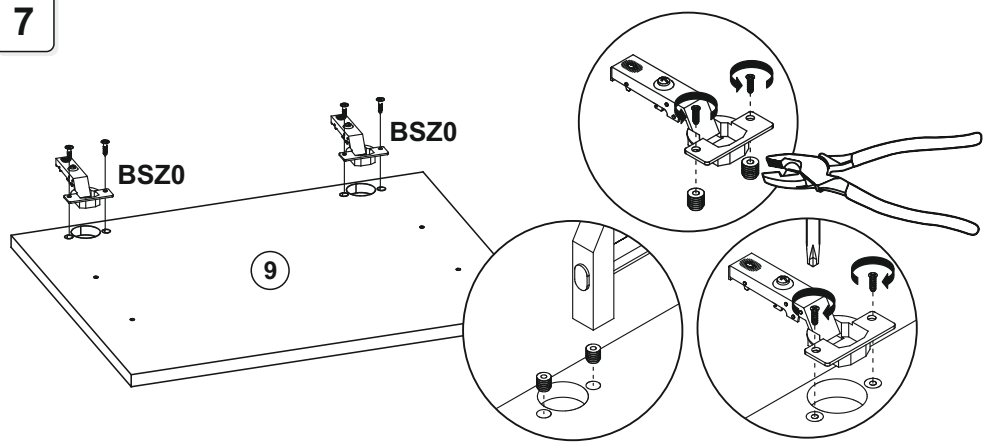
5



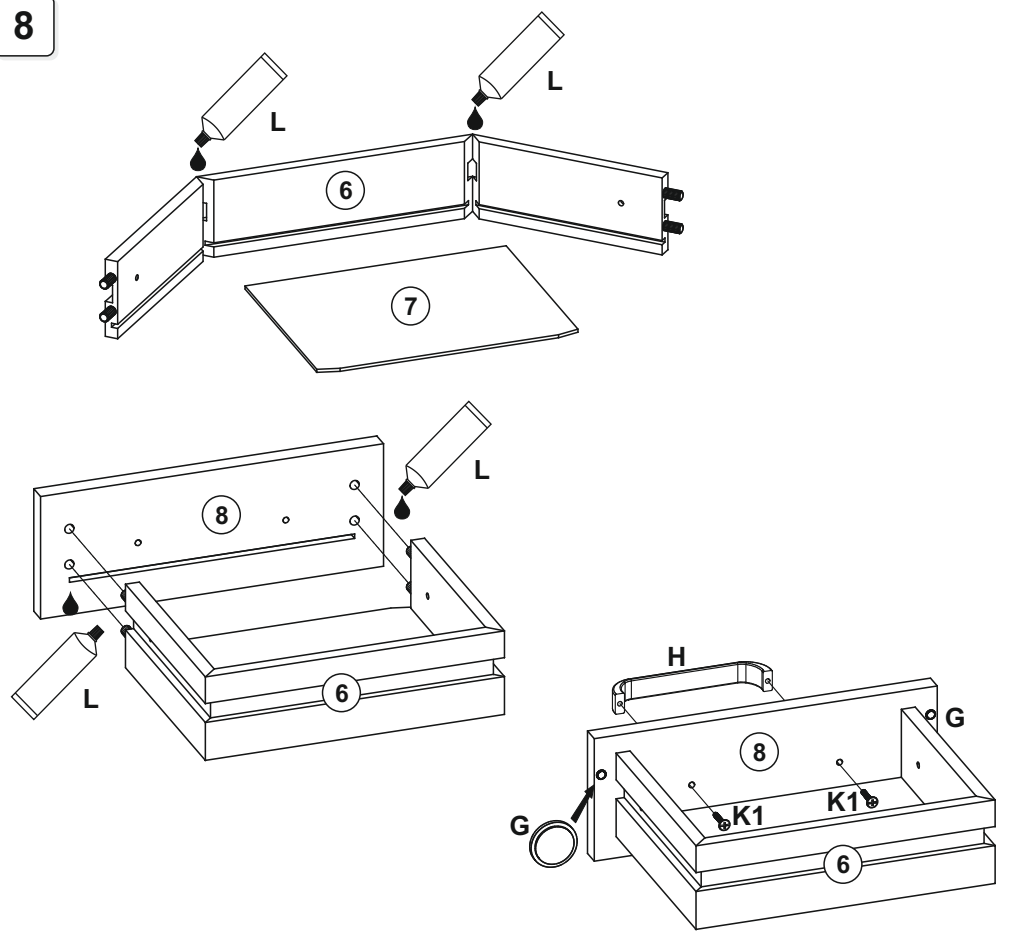
6



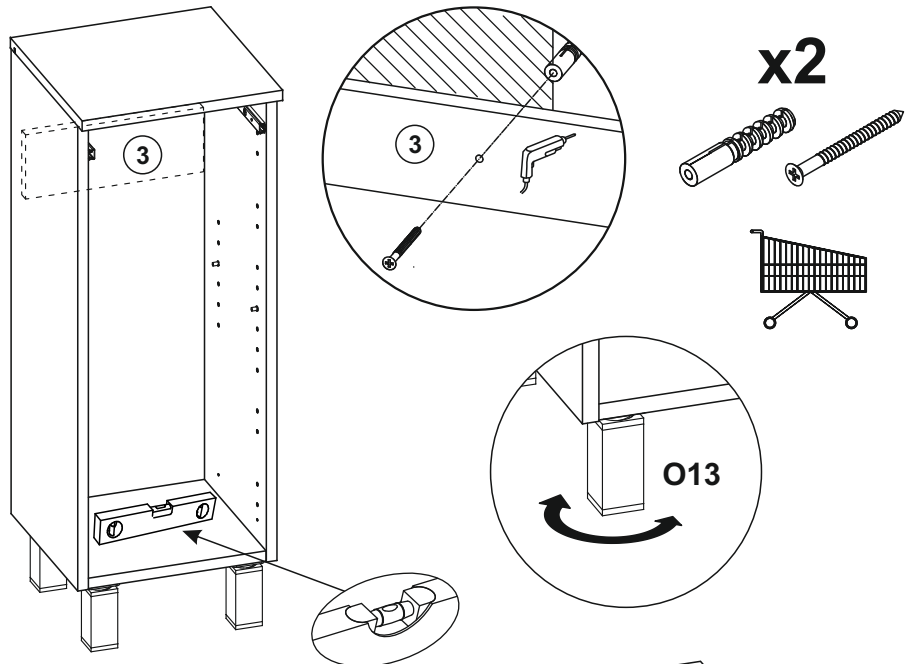
7



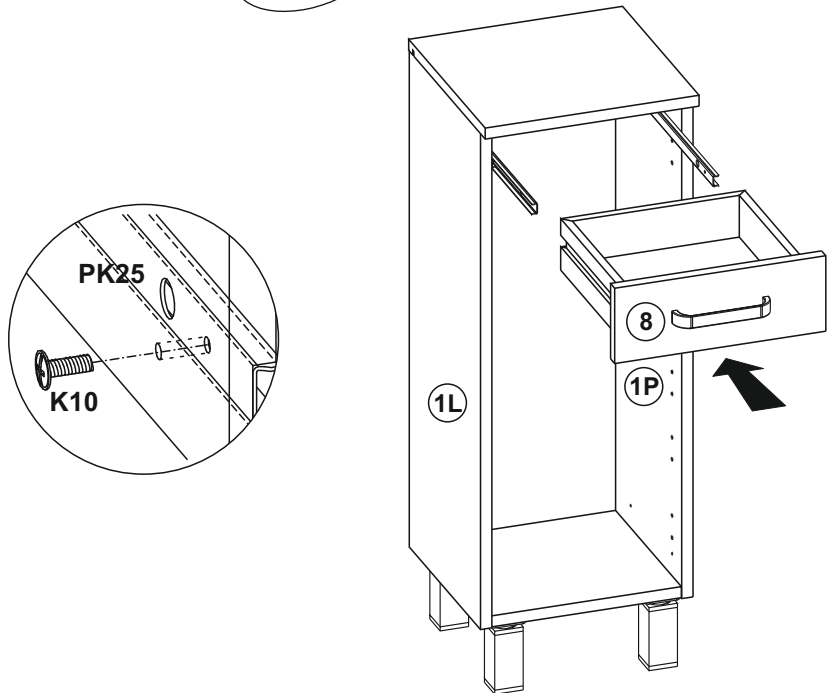
8



9



10



11

